



Chipsmall Limited consists of a professional team with an average of over 10 year of expertise in the distribution of electronic components. Based in Hongkong, we have already established firm and mutual-benefit business relationships with customers from,Europe,America and south Asia,supplying obsolete and hard-to-find components to meet their specific needs.

With the principle of “Quality Parts,Customers Priority,Honest Operation,and Considerate Service”,our business mainly focus on the distribution of electronic components. Line cards we deal with include Microchip,ALPS,ROHM,Xilinx,Pulse,ON,Everlight and Freescale. Main products comprise IC,Modules,Potentiometer,IC Socket,Relay,Connector.Our parts cover such applications as commercial,industrial, and automotives areas.

We are looking forward to setting up business relationship with you and hope to provide you with the best service and solution. Let us make a better world for our industry!



Contact us

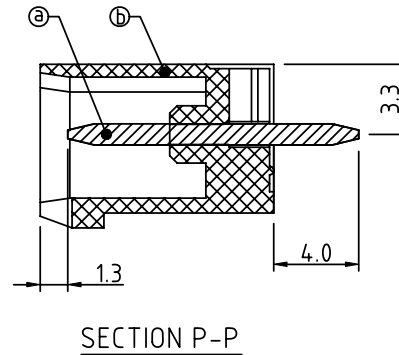
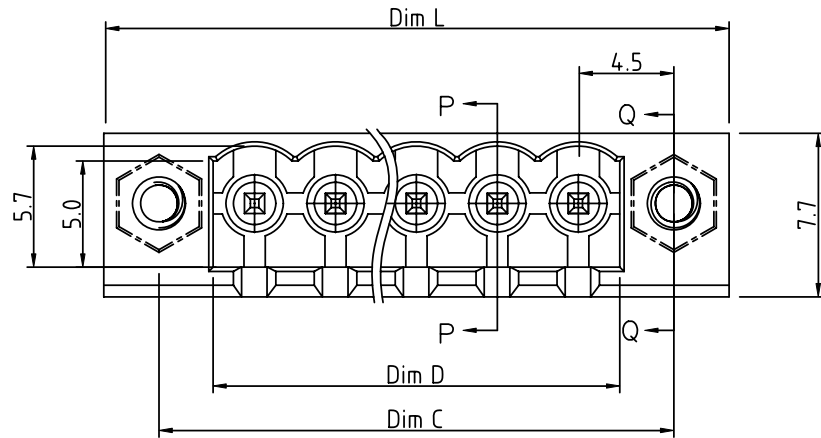
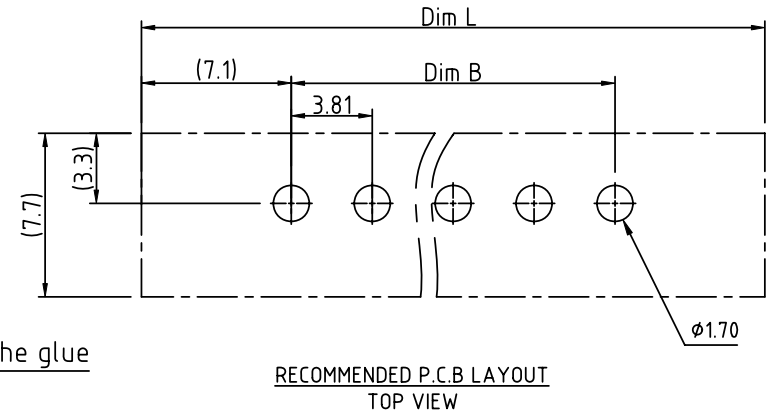
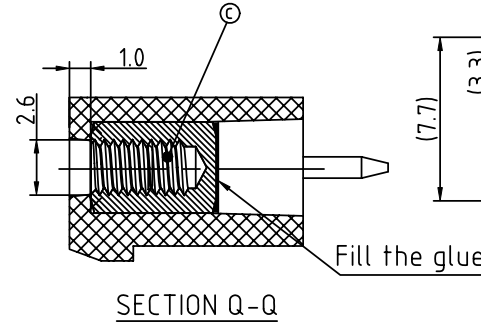
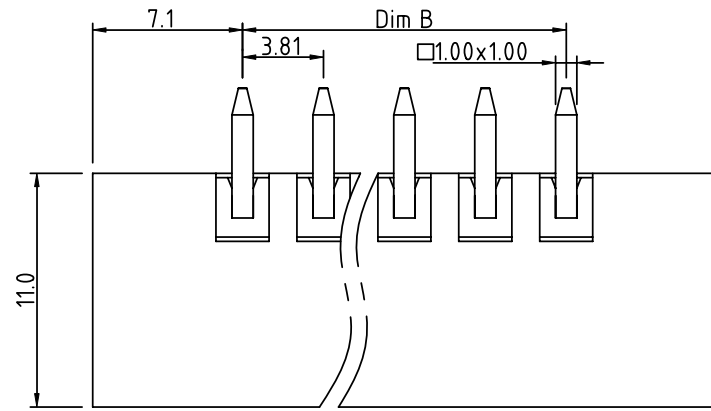
Tel: +86-755-8981 8866 Fax: +86-755-8427 6832

Email & Skype: info@chipsmall.com Web: www.chipsmall.com

Address: A1208, Overseas Decoration Building, #122 Zhenhua RD., Futian, Shenzhen, China



PRODUCT NUMBER	PITCH
VExx32x000J0G	3.81 mm



- Material:
- Item @ Contact pin: Copper, Tin plated
 - Item Ⓟ Terminal(housing): Thermoplastic (UL94V-0)
 - Item Ⓞ With flange nut: Brass ,M2.5
- Electrical:
- Voltage rating: 300V
 - Current rating: 8A
 - Withstanding Voltage: 1.6 KV
 - Operating temperature: -40°C to +115°C
 - Soldering temperature: 260°C±5°C/5 Sec
 - Safety Approval:

N=Number of poles

Dim L	NX3.81+10.39		
Dim B	(N-1)X3.81		
Dim C	(N-1)X3.81+9.0		
Dim D	(N-1)X3.81+3.9		

Poles	Dim B	Dim L & C	Dim D
2-5P	±0.10	±0.15	+0.35 -0
6-10P	±0.15	±0.20	
11-15P	±0.20	±0.25	
16-24P	±0.25	±0.35	

PART NO.: VE xx 32 x 0 00J0 G

Solid block	No. of poles	Color	RoHS compliant
0	2	Black (RAL9005)	(lead<4%) In copper Alloy
02	3	Red (RAL3001/D)	
03	4	Orange(RAL2011/P)	
...	5	Yellow(RAL1018/A)	
...	6	Green(RAL6018/T)	
24	8	Blue (RAL5015/A)	
	9	Grey(RAL7035/D)	
	9	White(RAL1102)	
	C	Green(RAL6018/U)	

mat'l. code		surface ASME Y14.5	tolerance ASME Y14.5	projection	product family
ltr	ecn no	dr	date		TERMINAL BLOCK
				MM	title
				scale	TERMINAL BLOCK
					PLUGGABLE SOCKET, VERTICAL, WITH FLANGE
dr	ENGR	ENGR	chr		appd
EVIN ZHONG	042214	EVIN ZHONG	042214		HANKE FENG
				dwg no	sheet 1 of 1
				VExx32x000J0G	
				size A4	
				type CUSTOMER Drawing	
sheet index	revision sheet	A 1			