



Chipsmall Limited consists of a professional team with an average of over 10 year of expertise in the distribution of electronic components. Based in Hongkong, we have already established firm and mutual-benefit business relationships with customers from,Europe,America and south Asia,supplying obsolete and hard-to-find components to meet their specific needs.

With the principle of “Quality Parts,Customers Priority,Honest Operation,and Considerate Service”,our business mainly focus on the distribution of electronic components. Line cards we deal with include Microchip,ALPS,ROHM,Xilinx,Pulse,ON,Everlight and Freescale. Main products comprise IC,Modules,Potentiometer,IC Socket,Relay,Connector.Our parts cover such applications as commercial,industrial, and automotives areas.

We are looking forward to setting up business relationship with you and hope to provide you with the best service and solution. Let us make a better world for our industry!



Contact us

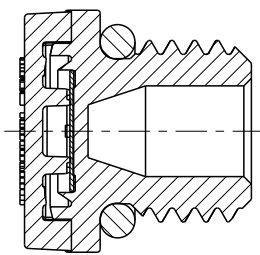
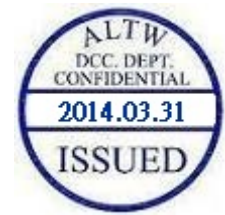
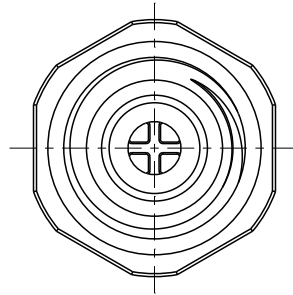
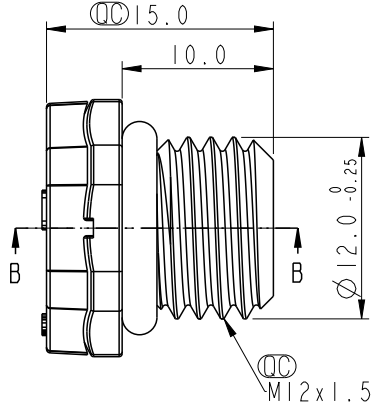
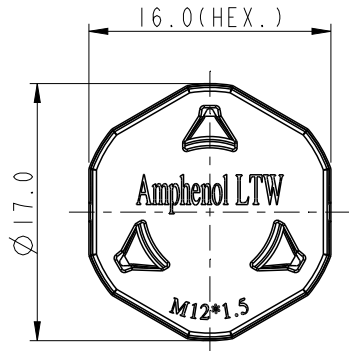
Tel: +86-755-8981 8866 Fax: +86-755-8427 6832

Email & Skype: info@chipsmall.com Web: www.chipsmall.com

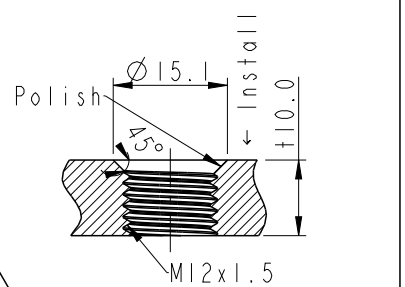
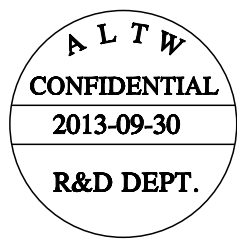
Address: A1208, Overseas Decoration Building, #122 Zhenhua RD., Futian, Shenzhen, China



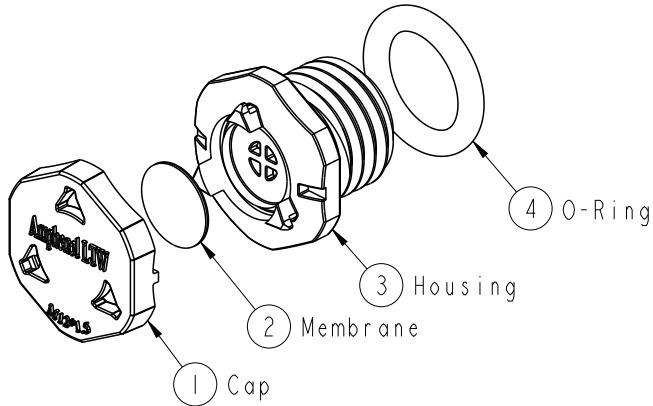
REV.	ECN NO.	DATE	SIGN	DESCRIPTION
B	LE313A0423	2013-09-30	Kelly	Change Note
C	LEN1430213	2014-03-12	Kelly	Add Recommended Panel Cut-Out



截面 B-B



Recommended Panel Cut-Out



- Note:**
- * \varnothing Important Dimension.
 - * Waterproof Rate: IP68, IP69K
 - * Cap: M-PPE, UV Resistance, Black
 - * Membrane: PTFE
 - * Conn. Housing: M-PPE, UV Resistance, Black
 - * O-Ring: Silicone, UL94-V0, Dark Gray.
 - * Nut Torque Force: 8.0~9.0 Kgf/cm
 - * Air Permeability: >260ml/min @70mbar
 - * Water Entry Pressure: >60KPa

UNIT:mm

TOLERANCE	
.X	±0.25
.XX	±0.1
.XXX	±0.05
ANGLES	±1°

TITLE M12*1.5 Vent			
SCALE	2:1	SIZE	A4
REV.	C	WC-REV.	B.2
		\varnothing : Inspection item	

Amphenol LTW
安費諾亮泰企業股份有限公司

ITEM NO	VENT-BJ001	DRAWN BY	Kelly-gaotong	DATE	2013-09-30
DWG NO	VENT-BJ001	CHECKED BY	Tony	DATE	2013-09-30
CUSTOMER	ALTW	APPROVED BY	Victor	DATE	2013-09-30

THIS DOCUMENT IS SUBJECT TO CHANGE WITHOUT NOTICE. IT IS CONFIDENTIAL AND A PROPERTY OF Amphenol LTW. DISCLOSURE TO THIRD PARTY HAS TO BE AUTHORIZED BY Amphenol LTW.