



Chipsmall Limited consists of a professional team with an average of over 10 year of expertise in the distribution of electronic components. Based in Hongkong, we have already established firm and mutual-benefit business relationships with customers from,Europe,America and south Asia,supplying obsolete and hard-to-find components to meet their specific needs.

With the principle of "Quality Parts,Customers Priority,Honest Operation,and Considerate Service",our business mainly focus on the distribution of electronic components. Line cards we deal with include Microchip,ALPS,ROHM,Xilinx,Pulse,ON,Everlight and Freescale. Main products comprise IC,Modules,Potentiometer,IC Socket,Relay,Connector.Our parts cover such applications as commercial,industrial, and automotives areas.

We are looking forward to setting up business relationship with you and hope to provide you with the best service and solution. Let us make a better world for our industry!



Contact us

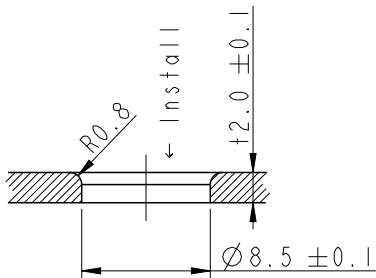
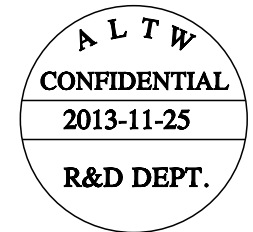
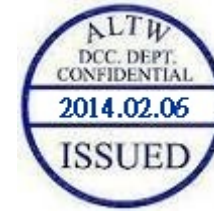
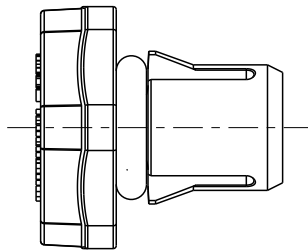
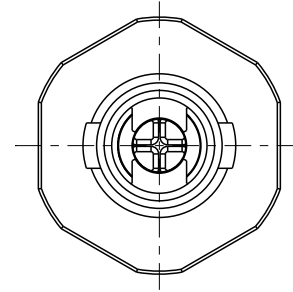
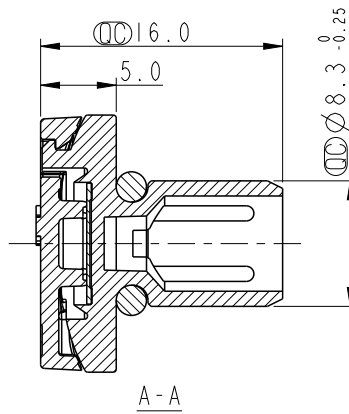
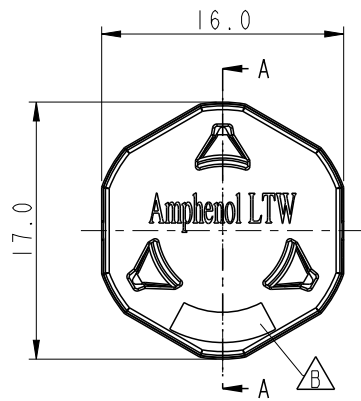
Tel: +86-755-8981 8866 Fax: +86-755-8427 6832

Email & Skype: info@chipsmall.com Web: www.chipsmall.com

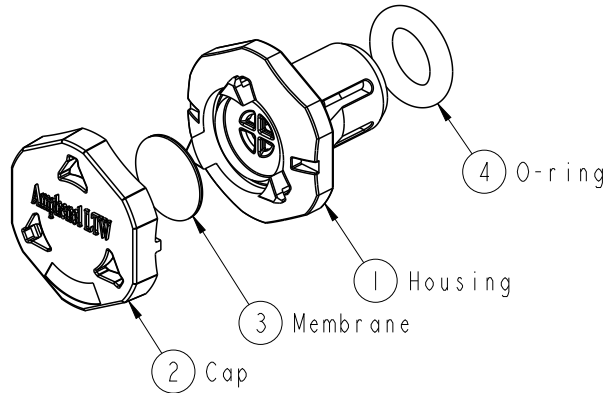
Address: A1208, Overseas Decoration Building, #122 Zhenhua RD., Futian, Shenzhen, China



| | | | | |
|------|------------|------------|-------|--------------------|
| REV. | ECN NO. | DATE | SIGN | DESCRIPTION |
| B | LE31420031 | 2014-01-02 | Kelly | Modify Cap Marking |



Recommended Panel Cut-Out



Note:

- * \varnothing Important Dimension.
- * Waterproof Rate: IP68, IP69K
- * Housing: M-PPE, UV Resistance, Black
- * Cap: M-PPE, UV Resistance, Black
- * Membrane: PTFE
- * O-Ring: Silicone, UL94-V0, Dark Gray
- * Air Permeability: >260ml/min @70mbar
- * Water Entry Pressure: >60KPa

| | | |
|-----------|-------|--|
| UNIT: mm | | |
| TOLERANCE | | |
| .X | ±0.25 | |
| .XX | ±0.1 | |
| .XXX | ±0.05 | |
| ANGLES | ±1° | |

| | | | |
|-----------------------|----------------|---------------------------------|--|
| TITLE Snap-in Vent | | | |
| SCALE 2:1 | SIZE A4 | SHEET 1 OF 1 | |
| REV. B | WC-REV. B.1 | \varnothing : Inspection item | |

Amphenol LTW
安費諾亮泰企業股份有限公司

| | | |
|------------------------|---------------------------|--------------------|
| ITEM NO. VENT-BJ003 | DRAWN BY Kelly-gaotong | DATE 2013-11-25 |
| DWG NO. VENT-BJ003 | CHECKED BY Tony | DATE 2013-11-25 |
| CUSTOMER ALTW | APPROVED BY Victor | DATE 2013-11-25 |

THIS DOCUMENT IS SUBJECT TO CHANGE WITHOUT NOTICE. IT IS CONFIDENTIAL AND A PROPERTY OF Amphenol LTW. DISCLOSURE TO THIRD PARTY HAS TO BE AUTHORIZED BY Amphenol LTW.