



Chipsmall Limited consists of a professional team with an average of over 10 year of expertise in the distribution of electronic components. Based in Hongkong, we have already established firm and mutual-benefit business relationships with customers from,Europe,America and south Asia,supplying obsolete and hard-to-find components to meet their specific needs.

With the principle of “Quality Parts,Customers Priority,Honest Operation,and Considerate Service”,our business mainly focus on the distribution of electronic components. Line cards we deal with include Microchip,ALPS,ROHM,Xilinx,Pulse,ON,Everlight and Freescale. Main products comprise IC,Modules,Potentiometer,IC Socket,Relay,Connector.Our parts cover such applications as commercial,industrial, and automotives areas.

We are looking forward to setting up business relationship with you and hope to provide you with the best service and solution. Let us make a better world for our industry!



Contact us

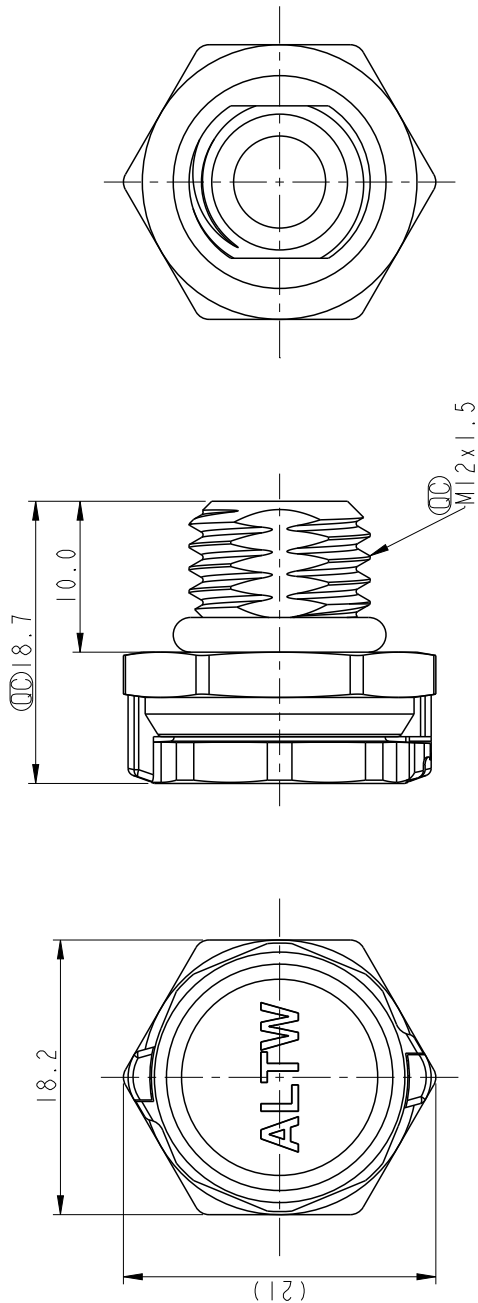
Tel: +86-755-8981 8866 Fax: +86-755-8427 6832

Email & Skype: info@chipsmall.com Web: www.chipsmall.com

Address: A1208, Overseas Decoration Building, #122 Zhenhua RD., Futian, Shenzhen, China

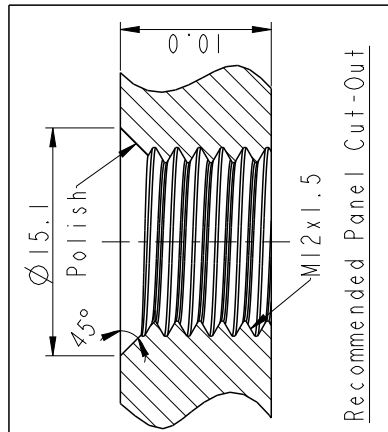
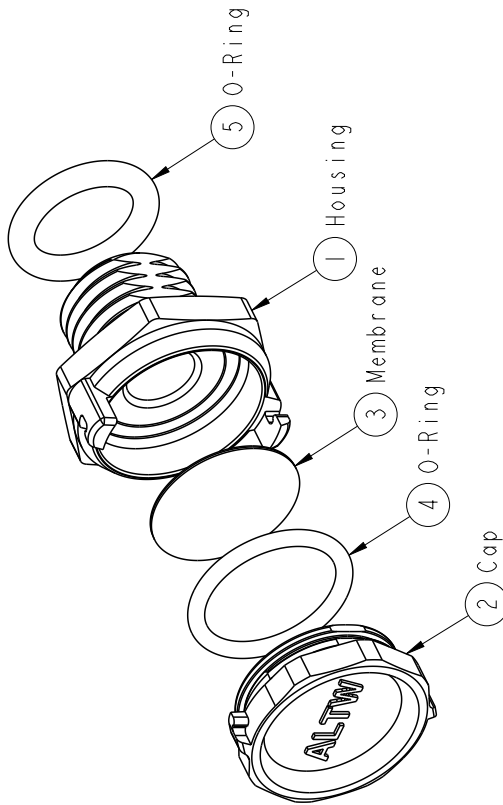


8	7	6	5	4	3	2	1
DESCRIPTION	SIGN	DATE	ECN NO.	REV.			



A L T W
CONFIDENTIAL
2014-06-10
R&D DEPT.

Note:
 * (CC) Important Dimension.
 * Waterproof Rate: IP68 (Immersion for 30 minutes at a depth of 2 meter), IP69K
 * Housing: Zinc Alloy, Nickel Plated
 * Cap: Zinc Alloy, Nickel Plated
 * Membrane: PTFE
 * O-Ring: Silicone
 * Air Permeability: >1760ml/min @70mbar
 * Water Entry Pressure: >29KPa



UNIT: mm		TITLE		ITEM NO		DRAWN BY		DATE	
TOLERANCE		VENT Metal-type		VENT-BJ005		Gaotong		2014-06-10	
.X	±0.25	SCALE	2:1	SIZE	A4	SHEET	1	OF	1
.XX	±0.1	REV.	A	MC-REV.	A.16	(CC): Inspection item			
.XXX	±0.05								
ANGLES	±1								
				CUSTOMER		APPROVED BY		DATE	
				ALTW		Victor		2014-06-10	
				6		7		8	
				5		7		8	
				4		7		8	
				3		7		8	
				2		7		8	
				1		7		8	

Amphenol LTW
安費諾亮泰企業股份有限公司