



Chipsmall Limited consists of a professional team with an average of over 10 year of expertise in the distribution of electronic components. Based in Hongkong, we have already established firm and mutual-benefit business relationships with customers from,Europe,America and south Asia,supplying obsolete and hard-to-find components to meet their specific needs.

With the principle of “Quality Parts,Customers Priority,Honest Operation,and Considerate Service”,our business mainly focus on the distribution of electronic components. Line cards we deal with include Microchip,ALPS,ROHM,Xilinx,Pulse,ON,Everlight and Freescale. Main products comprise IC,Modules,Potentiometer,IC Socket,Relay,Connector.Our parts cover such applications as commercial,industrial, and automotives areas.

We are looking forward to setting up business relationship with you and hope to provide you with the best service and solution. Let us make a better world for our industry!



Contact us

Tel: +86-755-8981 8866 Fax: +86-755-8427 6832

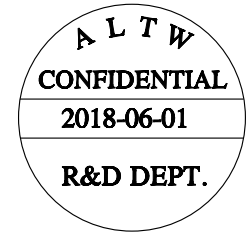
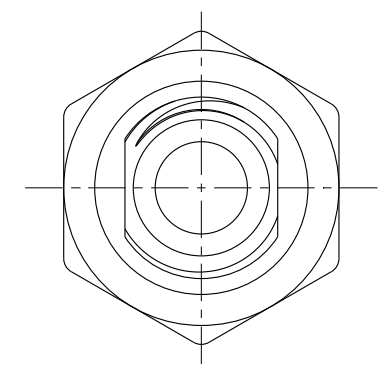
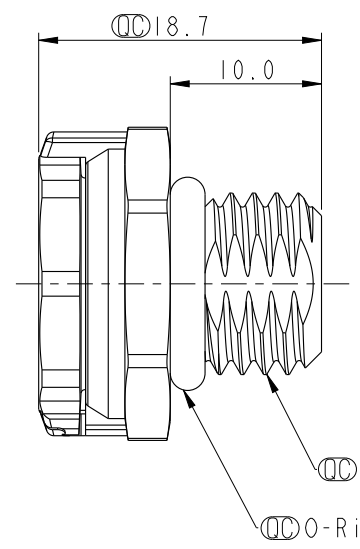
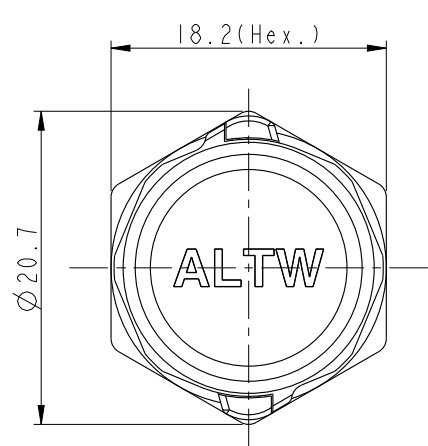
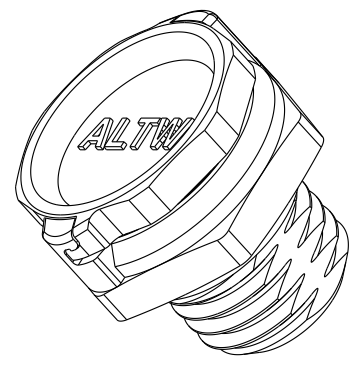
Email & Skype: info@chipsmall.com Web: www.chipsmall.com

Address: A1208, Overseas Decoration Building, #122 Zhenhua RD., Futian, Shenzhen, China



THIS DOCUMENT IS SUBJECT TO CHANGE WITHOUT NOTICE. IT IS CONFIDENTIAL AND A PROPERTY OF AMPHENOL LTW. DISCLOSURE TO THIRD PARTY HAS TO BE AUTHORIZED BY AMPHENOL LTW.

REV.	ECN NO.	DATE	SIGN	DESCRIPTION
A	Initial Release	2018-02-28	Ethan	
B	LEN1860001	2018-06-01	Ethan	Update Note IP68 Spec



UNIT: mm		
TOLERANCE	.X ±0.25	
.XX ±0.1		
.XXX ±0.05		
ANGLES	±1°	

TITLE VENT Metal-type		
SCALE 2:1	SIZE A4	SHEET 1 OF 2
REV. B	WC-REV. A.16	☉: Inspection item

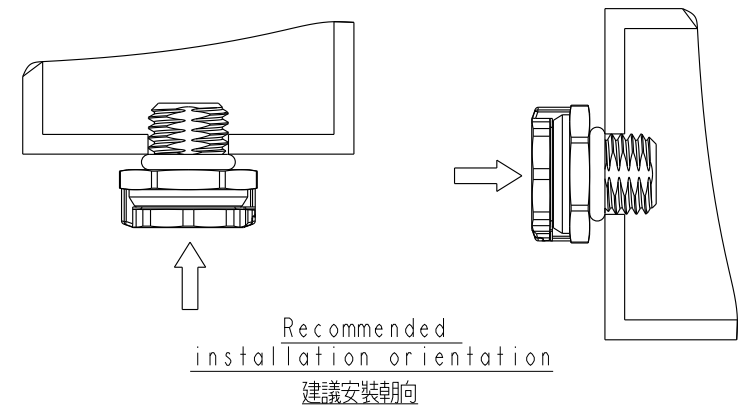
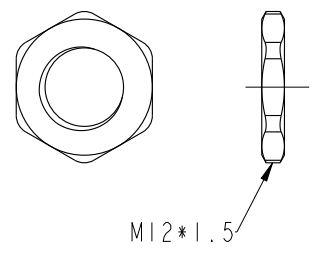
Amphenol LTW
安費諾亮泰企業股份有限公司

ITEM NO. VENT-MSINME-08001	DRAWN BY Ethan	DATE 2018-06-01
DWG NO. VENT-MSINME-08001	CHECKED BY Feng Li	DATE 2018-06-01
CUSTOMER ALTW	APPROVED BY Jerry	DATE 2018-06-01

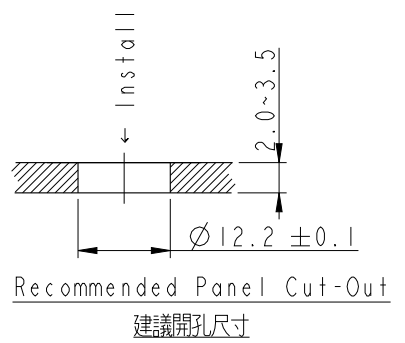
THIS DOCUMENT IS SUBJECT TO CHANGE WITHOUT NOTICE. IT IS CONFIDENTIAL AND A PROPERTY OF Amphenol LTW. DISCLOSURE TO THIRD PARTY HAS TO BE AUTHORIZED BY Amphenol LTW.

REV.	ECN NO.	DATE	SIGN	DESCRIPTION

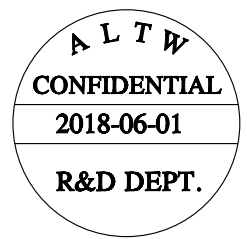
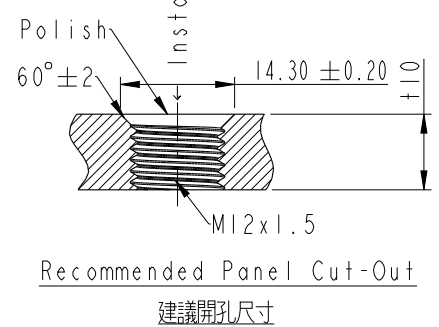
Screw Nut: Optional part
 No.: APTM-AMBPC012-001
 螺母作為選配件



Through-hole



Threaded-hole



- Note:
- * Ⓞ Important Dimension.
 - * ⚠ Waterproof Rate: IP68 (Immersion for 60 minutes at a depth of 2 meter), IP69K
 - * Housing: Zinc Alloy, Nickel Plated
 - * Cap: Zinc Alloy, Nickel Plated
 - * Membrane: ePTFE, Oleophobic
 - * O-Ring: Silicone, Dark Gray
 - * Air Permeability: >1760ml/min @70mbar

UNIT: mm			TITLE VENT Metal-type
TOLERANCE .X ±0.25 .XX ±0.1 .XXX ±0.05 ANGLES ±1°	SCALE 2:1	SIZE A4	SHEET 2 OF 2
REV. B	WC-REV. A.16	Ⓞ : Inspection item	

Amphenol LTW
 安費諾亮泰企業股份有限公司

ITEM NO. VENT-MSINME-08001	DRAWN BY Ethan	DATE 2018-06-01
DWG NO. VENT-MSINME-08001	CHECKED BY Feng Li	DATE 2018-06-01
CUSTOMER ALTW	APPROVED BY Jerry	DATE 2018-06-01