



Chipsmall Limited consists of a professional team with an average of over 10 year of expertise in the distribution of electronic components. Based in Hongkong, we have already established firm and mutual-benefit business relationships with customers from,Europe,America and south Asia,supplying obsolete and hard-to-find components to meet their specific needs.

With the principle of “Quality Parts,Customers Priority,Honest Operation,and Considerate Service”,our business mainly focus on the distribution of electronic components. Line cards we deal with include Microchip,ALPS,ROHM,Xilinx,Pulse,ON,Everlight and Freescale. Main products comprise IC,Modules,Potentiometer,IC Socket,Relay,Connector.Our parts cover such applications as commercial,industrial, and automotives areas.

We are looking forward to setting up business relationship with you and hope to provide you with the best service and solution. Let us make a better world for our industry!



Contact us

Tel: +86-755-8981 8866 Fax: +86-755-8427 6832

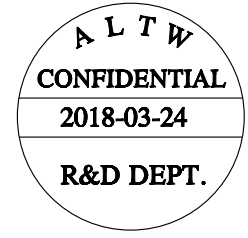
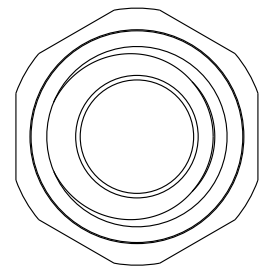
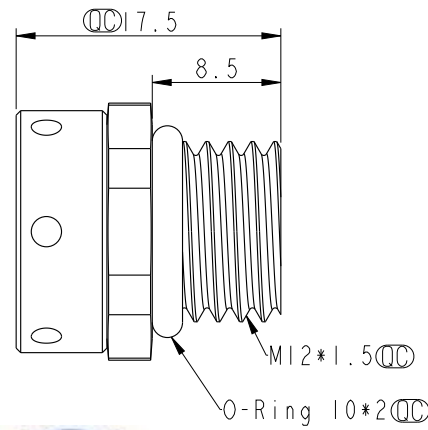
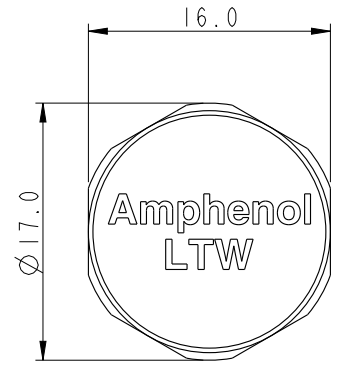
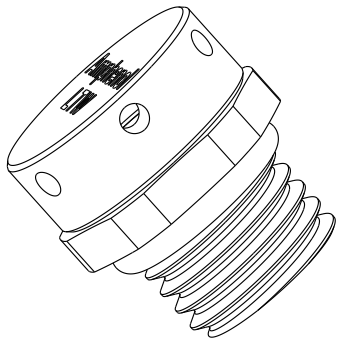
Email & Skype: info@chipsmall.com Web: www.chipsmall.com

Address: A1208, Overseas Decoration Building, #122 Zhenhua RD., Futian, Shenzhen, China

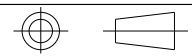


THIS DOCUMENT IS SUBJECT TO CHANGE WITHOUT NOTICE. IT IS CONFIDENTIAL AND A PROPERTY OF Amphenol LTW. DISCLOSURE TO THIRD PARTY HAS TO BE AUTHORIZED BY Amphenol LTW.

REV.	ECN NO.	DATE	SIGN	DESCRIPTION
A	Initial Release	2018/03/24	Ethan	



UNIT: mm



TITLE Metal M12*1.5 VENT		
SCALE 2:1	SIZE A4	SHEET 1 OF 2
REV. A	WC-REV. A.6	QC: Inspection item

Amphenol LTW

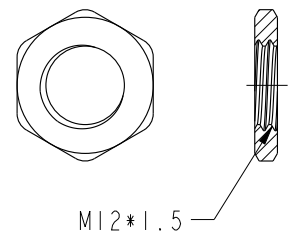
安費諾亮泰企業股份有限公司

ITEM NO. VENT-MSINMS-08001	DRAWN BY Ethan	DATE 2018-03-24
DWG NO. VENT-MSINMS-08001	CHECKED BY Feng-li	DATE 2018-03-24
CUSTOMER ALTW	APPROVED BY Jerry	DATE 2018-03-24

THIS DOCUMENT IS SUBJECT TO CHANGE WITHOUT NOTICE. IT IS CONFIDENTIAL AND A PROPERTY OF Amphenol LTW. DISCLOSURE TO THIRD PARTY HAS TO BE AUTHORIZED BY Amphenol LTW.

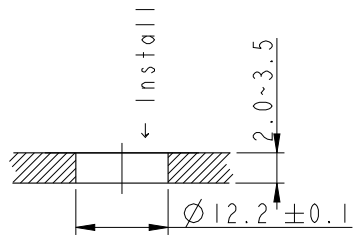
REV.	ECN NO.	DATE	SIGN	DESCRIPTION

Screw Nut: Optional part
 No.: APTM-AMBPC012-001
 鐵件螺母作為選配件



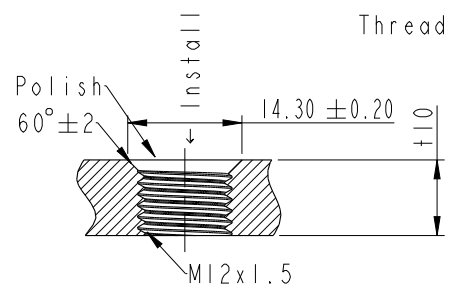
M12*1.5

Through-hole

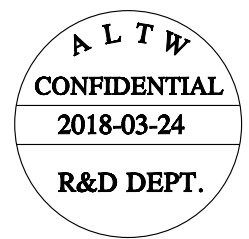
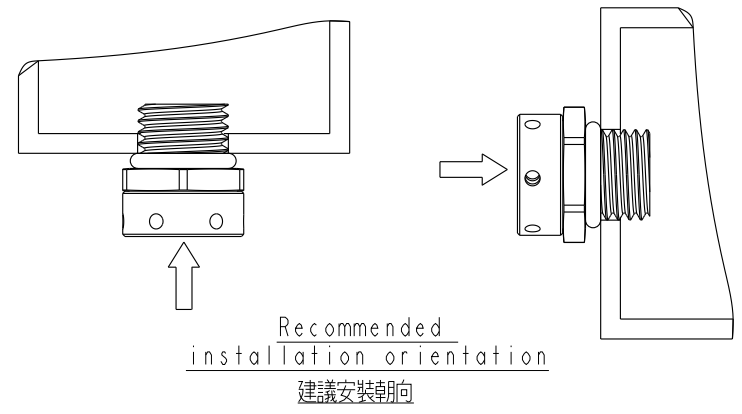


Recommended Panel Cut-Out
 建議開孔尺寸

Threaded-hole



Recommended Panel Cut-Out
 建議開孔尺寸



- Note:
- * ϕ Important Dimension.
 - * Waterproof Rate: IP68 (Immersion for 60 minutes at a depth of 2 meter), IP69K
 - * Housing: SUS316L
 - * Cap: SUS316L
 - * Membrane: ePTFE, Oleophobic
 - * O-Ring: Silicone, 94V-0
 - * Air Permeability: >1600ml/min @70mbar

A	UNIT: mm			TITLE	Metal M12*1.5 VENT		ITEM NO	VENT-MSINMS-08001	DRAWN BY	Ethan	DATE	2018-03-24	
	TOLERANCE	.X	± 0.25	SCALE	2:1	SIZE	A4	DWG NO	VENT-MSINMS-08001	CHECKED BY	Feng-li	DATE	2018-03-24
	.XX	± 0.1	REV.	A	WC-REV.	A.6	SHEET	2	OF	2	APPROVED BY	Jerry	DATE
.XXX	± 0.05	ANGLES	$\pm 1^\circ$	REV.	A	WC-REV.	A.6	CUSTOMER	ALTW	APPROVED BY	Jerry	DATE	2018-03-24

Amphenol LTW
 安費諾亮泰企業股份有限公司