



Chipsmall Limited consists of a professional team with an average of over 10 year of expertise in the distribution of electronic components. Based in Hongkong, we have already established firm and mutual-benefit business relationships with customers from,Europe,America and south Asia,supplying obsolete and hard-to-find components to meet their specific needs.

With the principle of "Quality Parts,Customers Priority,Honest Operation,and Considerate Service",our business mainly focus on the distribution of electronic components. Line cards we deal with include Microchip,ALPS,ROHM,Xilinx,Pulse,ON,Everlight and Freescale. Main products comprise IC,Modules,Potentiometer,IC Socket,Relay,Connector.Our parts cover such applications as commercial,industrial, and automotives areas.

We are looking forward to setting up business relationship with you and hope to provide you with the best service and solution. Let us make a better world for our industry!



Contact us

Tel: +86-755-8981 8866 Fax: +86-755-8427 6832

Email & Skype: info@chipsmall.com Web: www.chipsmall.com

Address: A1208, Overseas Decoration Building, #122 Zhenhua RD., Futian, Shenzhen, China





Ultra Compact Ethernet Serial Servers

VESR900 Series - Fiber Models



PRODUCT FEATURES

- Ethernet enable serial devices
- Direct IP, virtual COM port, or paired mode
- Ethernet pass-through port available
- Ethernet fiber options
- Serial RS-232/RS-422/485 ports
- UL Class 1 Division 2

Take control of your serial devices with Vlinx™ VESR9xx Industrial Ethernet Serial Servers. If it has a serial port, it can be monitored and controlled from anywhere on your Ethernet LAN or WAN. Keep it at maximum productivity without leaving your office. Even troubleshoot it from outside your LAN via the Internet. The easy to use Vlinx™ Manager software puts access to your whole shop on your desk. Configure devices, upgrade firmware and monitor activity. Configuration changes can also be made using a web browser.

Multiple fiber optic options make integration into any existing network quick. No need to purchase an extra media converter when you can choose from multi-mode SC/ST, 15km single-mode SC/ST, 40 km single-mode SC/ST, or 80 km single-mode SC/ST.

VESR92x series servers also feature an additional copper RJ45 port that allows you to connect another Ethernet device or PC work-station. This Pass-through port functions much like an unmanaged switch.

Heartbeat connectivity keeps the serial server on-line. If connectivity is lost it will attempt to reconnect every five seconds until a connection is regained. A manual reboot is not required when communications are restored.

ORDERING INFORMATION

MODEL NUMBER	SERIAL PORTS	SERIAL CONNECTORS	ETHERNET MEDIA	ETHERNET CONNECTORS
VESR901-MC	1	DB9 & TB	Multi-mode Fiber	SC
VESR901-MT	1	DB9 & TB	Multi-mode Fiber	ST
VESR901-SC*	1	DB9 & TB	Single Mode Fiber	SC
VESR901-ST*	1	DB9 & TB	Single Mode Fiber	ST
VESR902D-MC	2	DB9	Multi-mode Fiber	SC
VESR902D-MT	2	DB9	Multi-mode Fiber	ST
VESR902D-SC*	2	DB9	Single Mode Fiber	SC
VESR902D-ST*	2	DB9	Single Mode Fiber	ST
VESR902T-MC	2	TB	Multi-mode Fiber	SC
VESR902T-MT	2	TB	Multi-mode Fiber	ST
VESR902T-SC*	2	TB	Single Mode Fiber	SC
VESR902T-ST*	2	TB	Single Mode Fiber	ST
VESR921-MC	1	DB9 & TB	CAT 5, Multi-mode Fiber	One RJ45, One SC
VESR921-MT	1	DB9 & TB	CAT 5, Multi-mode Fiber	One RJ45, One ST
VESR921-SC*	1	DB9 & TB	CAT 5, Single Mode Fiber	One RJ45, One SC
VESR921-ST*	1	DB9 & TB	CAT 5, Single Mode Fiber	One RJ45, One ST
VESR922T-MC	2	TB	CAT 5, Multi-mode Fiber	One RJ45, One SC
VESR922T-MT	2	TB	CAT 5, Multi-mode Fiber	One RJ45, One ST
VESR922T-SC*	2	TB	CAT 5, Single Mode Fiber	One RJ45, One SC
VESR922T-ST*	2	TB	CAT 5, Single Mode Fiber	One RJ45, One ST

+ All serial ports are software configurable for RS-232, RS-422, or RS-485.
* 40km and 80km options available.

For Copper options please see page 152.

ACCESSORIES

MDR-40-24 - DIN rail mount power supply 24VDC, 1.7 A output power

ESR35 - DIN Rail 1 Meter 35mm Steel

DRPM25 - 35mm DIN Rail to Panel Mount Bracket

TBKT2 - Replacement Terminal Block, One 5 Position 5.08 mm

TBKT1 - Replacement Terminal Block, One 2 Position 5.08 mm

Ultra Compact Ethernet Serial Servers

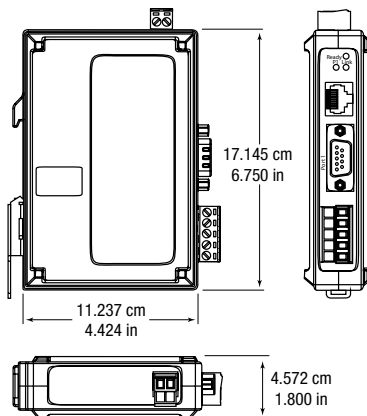
VESR900 Series - Fiber Models



SPECIFICATIONS

FIBER OPTIC TECHNOLOGY				
	VESR9xx-Mx	VESR9xx-Sx	VESR9xx-Sx40 (available)	VESR9xx-Sx80 (available)
Type / Wavelength	Multi-mode / 1310 nm	Single-mode / 1310 nm	Single-mode / 1310 nm	Single-mode / 1510 nm
Output Power	(-) 19 to (-) 14 dBm	(-) 15 to (-) 8 dBm	(-) 5 to 0 dBm	(-) 5 to 0 dBm
Receive Sensitivity	~ (-) 32 dBm	~ (-) 32 dBm	~ (-) 34 dBm	~ (-) 34 dBm
Cable	62.5 / 125 μ m	9 / 125 μ m	9 / 125 μ m	9 / 125 μ m
Connector	SC or ST	SC or ST	SC or ST	SC or ST
Range	2 km (1.2 miles)	15 km (9.3 miles)	40 km (25 miles)	80 km (49.7 miles)
SERIAL TECHNOLOGY		NETWORK PHYSICAL LAYER STANDARDS		
RS-232	TD, RD, RTS, CTS, DTR, DSR, DTD, GND	Ethernet IEEE 802.3 auto detecting & auto MDI/MDX, 10BaseT and 100Base TX		
RS-485 2-Wire	Data A(-), Data B(+), GND	PROTOCOLS		
RS-422/485 4-Wire	TDA(-), TDB(+), RDA(-), RDB(+), GND	Protocols TCP, IPv4, UDP, ARP, HTTP 1.0, ICMP/PING, DHCP/BOOTP		
Serial Connector	DB9M or Removable Terminal Blocks	IP Mode Static, DHCP		
Data Rate	Up to 230.4 Kbps	TCP/UDP User definable		
POWER		OTHER		
Source	External	Connection Mode Server, Client, VCOM, Paired		
Input Voltage	10 to 48 VDC (58 VDC Maximum)	Client Connection At power up or upon data arrival		
Connector	Removable Terminal Block (12 – 28 AWG)	Search Serial direct COM and Ethernet Auto Search or specific IP		
Power Consumption	VESR90x: 4.0 Watts Max. VESR92x: 6.0 Watts Max.	Diagnostics Display PC IP, ping, test VCOM, save test config (text readable)		
MECHANICAL		Firmware Upgrade Vlinx Manager		
LED Indicators	Serial Port, Ethernet Link, Ready	ETHERNET PASS-THROUGH PORT (VESR92X)		
Switches	Reset Button	Standards IEEE 802.3, 802.3u, 802.3x		
Dimensions	VESR90x: 17.145 x 11.237 x 4.572 cm (6.750 x 4.424 x 1.800 in) VESR92x: 14.86 x 10.11 x 2.96 cm (5.85 x 3.98 x 1.16 in)	Processing Type Store and Forward with 802.3x full duplex, non blocking flow control		
Enclosure	35mm DIN mount, Plastic, IP 30	Flow Control IEEE 802.3x flow control, back pressure flow control		
Weight	VESR90x: 149.7 g (0.33 lbs) VESR92x: 204.1 g (0.45 lbs)	MAC Address Table 2K		
ENVIRONMENTAL		CONFIGURATION SOFTWARE		
Operating Temperature	-40 to 80°C (-40 to 176°F)	Vlinx Manager Windows 2000, XP (32/64 bit), 2003 Server (32/64 bit), Vista (32/64 bit), 2008 Server (32/64 bit), Win 7 (32/64 bit)		
Operating Humidity	10 to 95% Non-condensing	REGULATORY / CERTIFICATIONS / SAFETY		
MTBF	VESR90x: ~ 132309 hours VESR92x: ~ 102593 hours	Compliance FCC, CE, NEMA TS2 UL Listed, File E222870 UL Class 1 Division 2 Groups A, B, C, D (HAZLOC) File E245458		
MTBF Calc Method	Parts Count Reliability Prediction	NETWORK		
NETWORK		Serial Memory 8 KB per port		
		Network Memory 4 KB		
NETWORK COMMUNICATIONS		LAN 10/100 Mbps Auto-detecting , 10BaseT or 100BaseTX		

MECHANICAL DIAGRAM - VESR90X MODELS



MECHANICAL DIAGRAM - VESR92X MODELS

