



Chipsmall Limited consists of a professional team with an average of over 10 year of expertise in the distribution of electronic components. Based in Hongkong, we have already established firm and mutual-benefit business relationships with customers from,Europe,America and south Asia,supplying obsolete and hard-to-find components to meet their specific needs.

With the principle of “Quality Parts,Customers Priority,Honest Operation,and Considerate Service”,our business mainly focus on the distribution of electronic components. Line cards we deal with include Microchip,ALPS,ROHM,Xilinx,Pulse,ON,Everlight and Freescale. Main products comprise IC,Modules,Potentiometer,IC Socket,Relay,Connector.Our parts cover such applications as commercial,industrial, and automotives areas.

We are looking forward to setting up business relationship with you and hope to provide you with the best service and solution. Let us make a better world for our industry!



## Contact us

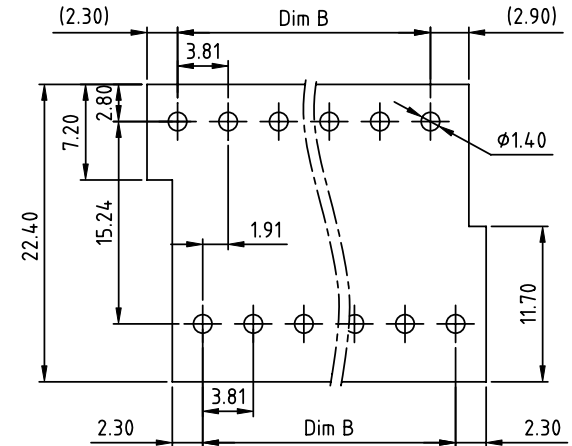
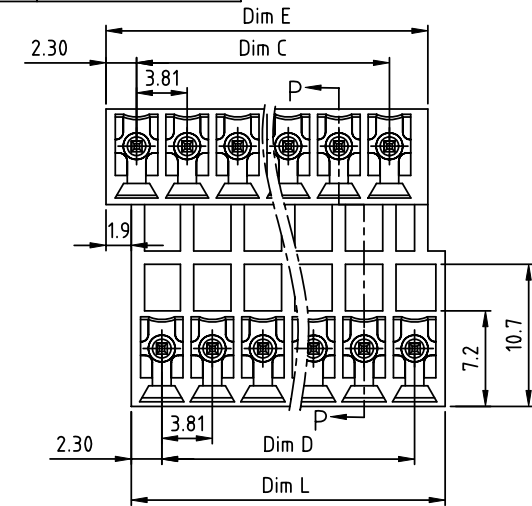
Tel: +86-755-8981 8866 Fax: +86-755-8427 6832

Email & Skype: info@chipsmall.com Web: www.chipsmall.com

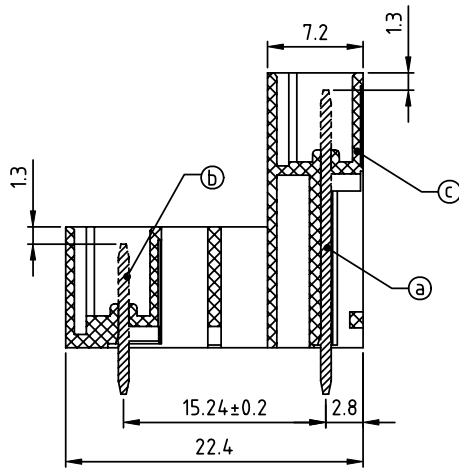
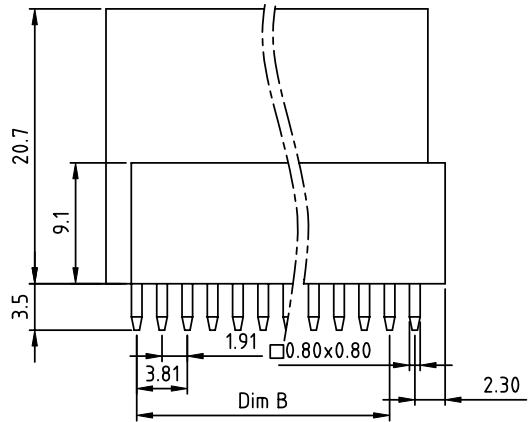
Address: A1208, Overseas Decoration Building, #122 Zhenhua RD., Futian, Shenzhen, China



PRODUCT NUMBER	PITCH
VFxx31x000J0G	3.81 mm



RECOMMENDED P.C.B LAYOUT  
TOP VIEW



SECTION P-P

- Material:
- Item (a) Long pin: copper, Tin plated
  - Item (b) Short pin: copper, Tin plated
  - Item (c) Terminal (housing): Thermoplastic (UL94V-0)
- Electrical cULus
- Voltage rating: 300VAC
  - Current rating: 10A
  - Withstanding Voltage: 1.6KV
  - Operating temperature: -40°C to +115°C
  - Soldering temperature: 260°C±5°C/5 Sec
  - Safety Approval:

N=NUMBER OF POLES  
 Dim L=(N/2-1)×3.81+4.6  
 Dim B=(N/2-1)×3.81  
 Dim C=(N/2-1)×3.81  
 Dim D=(N/2-1)×3.81  
 Dim E=(N/2-1)×3.81+5.2

POLES	Tolerance
2×2P-2×5P	±0.15
2×6P-2×10P	±0.20
2×11P-2×13P	±0.25
2×14P-2×16P	±0.30
2×17P-2×20P	±0.35
2×21P-2×24P	±0.40

PART NO.: VF xx 3 1 x 0 00J0 G

Solid block	0	Black (RAL9005)	RoHS compliant (lead<4%)
No. of poles	2	Red (RAL3001/D)	In copper Alloy
04 2x2poles	3	Orange(RAL2011/P)	
06 2x3poles	4	Yellow(RAL1018/A)	
... ..	5	Green(RAL6018/T)	
48 2x24poles	6	Blue (RAL5015/A)	
	8	Grey(RAL7035/D)	
	9	White(RAL1102)	
	C	Green(RAL6018/U)	

mat'l. code		surface ASME Y14.5	tolerance ASME Y14.5	projection	product family	
ltr ecn no dr date		tolerances unless otherwise specified		MM	TERMINAL BLOCK	
		angles	X.±0.5		title	
		X°±1°	X.X±0.3	TERMINAL BLOCK		
			X.XX±0.1	PLUGGABLE SOCKET, VERTICAL		
		dr	EVIN ZHONG 042914	scale		
		enr	EVIN ZHONG 042914	dwg no		
		chr	HANKE FENG 042914	VFxx31x000J0G		
		appd	SHI JUN 042914	sheet 1 of 1		
				size		
				A4		
				type		
				CUSTOMER Drawing		
sheet index	revision sheet	A	1			