



Chipsmall Limited consists of a professional team with an average of over 10 year of expertise in the distribution of electronic components. Based in Hongkong, we have already established firm and mutual-benefit business relationships with customers from,Europe,America and south Asia,supplying obsolete and hard-to-find components to meet their specific needs.

With the principle of “Quality Parts,Customers Priority,Honest Operation,and Considerate Service”,our business mainly focus on the distribution of electronic components. Line cards we deal with include Microchip,ALPS,ROHM,Xilinx,Pulse,ON,Everlight and Freescale. Main products comprise IC,Modules,Potentiometer,IC Socket,Relay,Connector.Our parts cover such applications as commercial,industrial, and automotives areas.

We are looking forward to setting up business relationship with you and hope to provide you with the best service and solution. Let us make a better world for our industry!



## Contact us

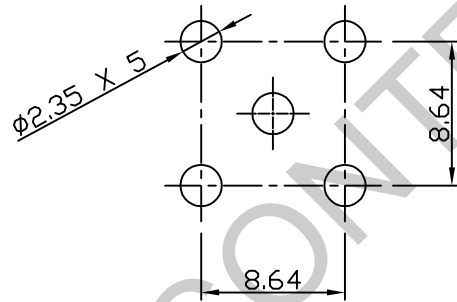
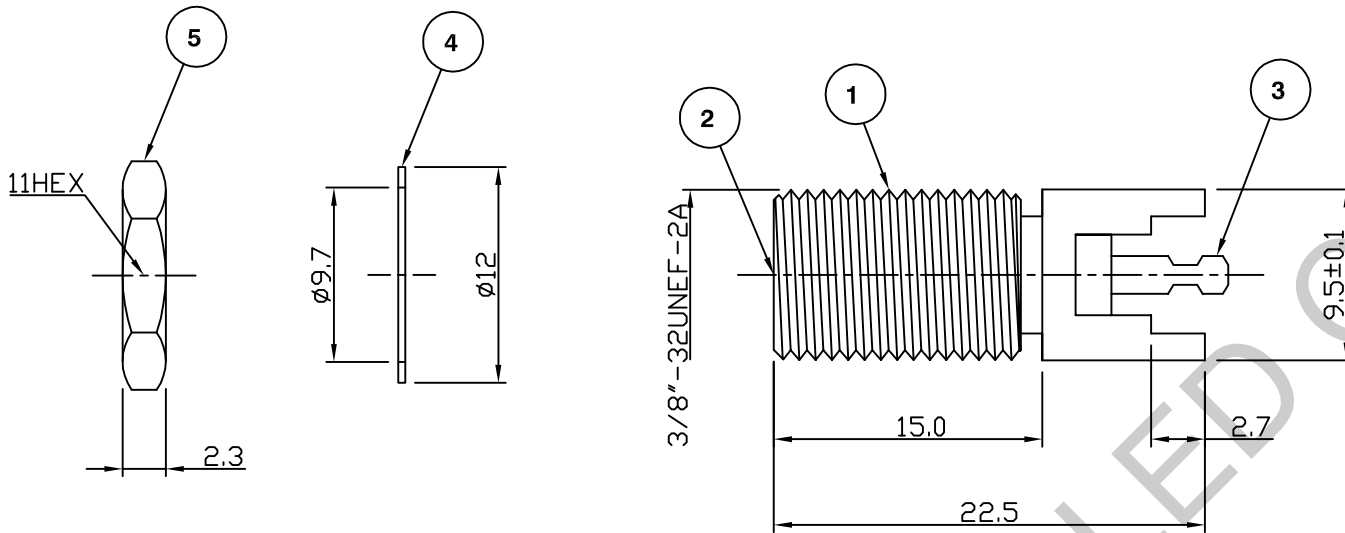
Tel: +86-755-8981 8866 Fax: +86-755-8427 6832

Email & Skype: info@chipsmall.com Web: www.chipsmall.com

Address: A1208, Overseas Decoration Building, #122 Zhenhua RD., Futian, Shenzhen, China



RoHS COMPLIANT



**Electrical Characteristics**

Nominal Impedance: 75 ohms  
 Frequency Range: DC to 2 GHz  
 Operating Voltage (rms): 250 V maximum at sea level

**Mechanical Characteristics**

Mating Cycles: 200 cycles minimum

**Environmental Characteristics**

Temperature Range: -55 °C to +85 °C

PART	DESCRIPTION
1	Body Brass, nickel plated
2	Dielectric Polypropylene
3	Contact Brass, tin plated
4	Washer Steel, nickel plated
5	Nut Steel, nickel plated

DESCRIPTION OF REVISION	APPVD	ISS	DATE
Dimensional update on Nut & Washer	JT	5	09 June 10
Dimensional change	SN	4	16 May 03
CAD Issue	SN	3	25 Nov 02
Wrong description	AT	2	26 Jul 94
First Issue	IS	1	09 Oct 92



Cinch Connectivity Solutions  
 7-13 Russel Way,  
 Widford Industrial Estate,  
 Chelmsford, Essex,  
 CM1 3AA, UK.  
 Tel: +44 (0) 1245 359515  
 Fax: +44 (0) 1245 358938

SCALE: Not To Scale

DIMENSIONS: mm

TOLERANCES:  
 ± 0.2mm unless  
 otherwise stated

DRAWN BY:

S Nash

CHECKED BY:

P Couzens

APPROVED BY:

P Couzens

DATE:

16 May 03

TITLE:

F Vertical PCB Mount Jack

PART NUMBER:

VF320

PAGE: 1 of 1