



Chipsmall Limited consists of a professional team with an average of over 10 year of expertise in the distribution of electronic components. Based in Hongkong, we have already established firm and mutual-benefit business relationships with customers from,Europe,America and south Asia,supplying obsolete and hard-to-find components to meet their specific needs.

With the principle of "Quality Parts,Customers Priority,Honest Operation,and Considerate Service",our business mainly focus on the distribution of electronic components. Line cards we deal with include Microchip,ALPS,ROHM,Xilinx,Pulse,ON,Everlight and Freescale. Main products comprise IC,Modules,Potentiometer,IC Socket,Relay,Connector.Our parts cover such applications as commercial,industrial, and automotives areas.

We are looking forward to setting up business relationship with you and hope to provide you with the best service and solution. Let us make a better world for our industry!



Contact us

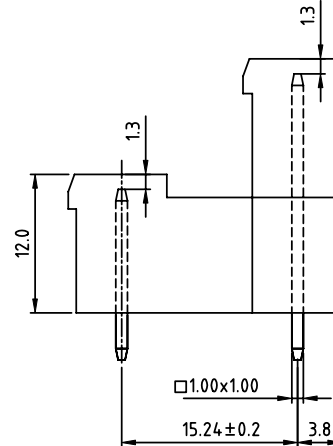
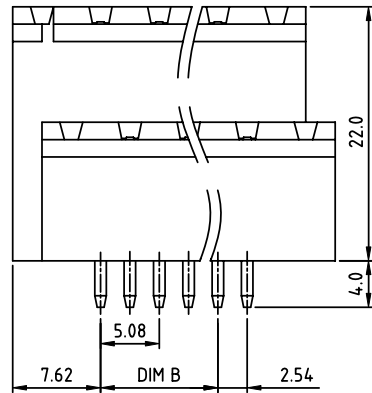
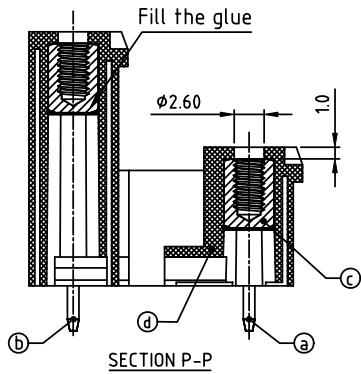
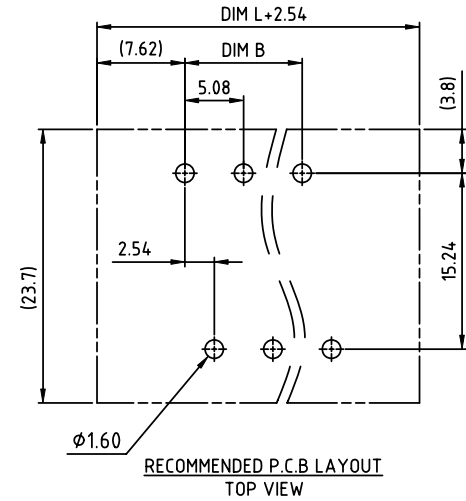
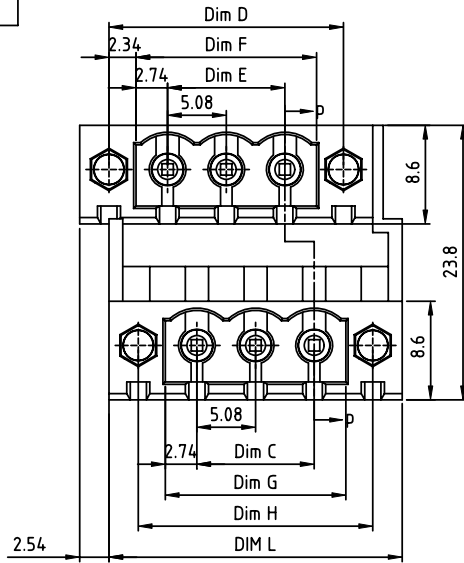
Tel: +86-755-8981 8866 Fax: +86-755-8427 6832

Email & Skype: info@chipsmall.com Web: www.chipsmall.com

Address: A1208, Overseas Decoration Building, #122 Zhenhua RD., Futian, Shenzhen, China



PRODUCT NUMBER	PITCH
VFxx52x000J0G	5.08 mm



Material:

- Item (b) Short pin: Copper, Tin plated
- Item (d) Long pin: Copper, Tin plated
- Item (c) With flange nut: brass M2.5
- Item (a) Terminal (housing): Thermoplastic (UL94V-0)

Electrical cULus

- Voltage rating: 300VAC
- Current rating: 10A
- Withstanding Voltage: 1.6KV
- Operating temperature: -40°C to +115°C
- Soldering temperature: 260°C±5°C/5 Sec
- Safety Approval: cULus

PART NO.: VF xx 52 x 0 00J0 G

Dimension	
Dim L	(N/2+2)×5.08
Dim B	(N/2-1)×5.08
Dim C	(N/2-1)×5.08
Dim D	(N/2-1)×5.08+10.16
Dim E	(N/2-1)×5.08
Dim F	(N/2-1)×5.08+5.48
Dim G	(N/2-1)×5.08+5.48
Dim H	(N/2-1)×5.08+10.16

N=Number of poles		
Poles	Tolerance	
2×2P-2×5P	±0.15	
2×6P-2×10P	±0.20	
2×11P-2×15P	±0.25	
2×16P-2×20P	±0.30	
2×21P-2×24P	±0.35	

- Solid block
- No. of poles
- Color
- RoHS compliant (lead<4%) In copper Alloy
- 0 Black (RAL9005)
 - 2 Red (RAL3001/D)
 - 3 Orange(RAL2011/P)
 - 4 Yellow(RAL1018/A)
 - 5 Green(RAL6018/T)
 - 6 Blue (RAL5015/A)
 - 8 Grey(RAL7035/D)
 - 9 White(RAL1102)
 - C Green(RAL6018/U)

mat'l. code		surface ASME Y14.5	tolerance ASME Y14.5	projection	product family
ltr	ecn no	dr	date	tolerances unless otherwise specified	TERMINAL BLOCK
				angles	title
				parallel	TERMINAL BLOCK
				perpendicular	PLUGGABLE SOCKET, WITH FLANGE, VERTICAL
				X°±1°	scale
				dr	FCI
				enr	EVIN ZHONG 042914
				chr	HANKE FENG 042914
				appd	SHI JUN 042914
sheet index	revision sheet	A	1		dwg no
					VFxx52x000J0G
					sheet 1 of 1
					size A4
					type CUSTOMER Drawing