



Chipsmall Limited consists of a professional team with an average of over 10 year of expertise in the distribution of electronic components. Based in Hongkong, we have already established firm and mutual-benefit business relationships with customers from,Europe,America and south Asia,supplying obsolete and hard-to-find components to meet their specific needs.

With the principle of “Quality Parts,Customers Priority,Honest Operation,and Considerate Service”,our business mainly focus on the distribution of electronic components. Line cards we deal with include Microchip,ALPS,ROHM,Xilinx,Pulse,ON,Everlight and Freescale. Main products comprise IC,Modules,Potentiometer,IC Socket,Relay,Connector.Our parts cover such applications as commercial,industrial, and automotives areas.

We are looking forward to setting up business relationship with you and hope to provide you with the best service and solution. Let us make a better world for our industry!



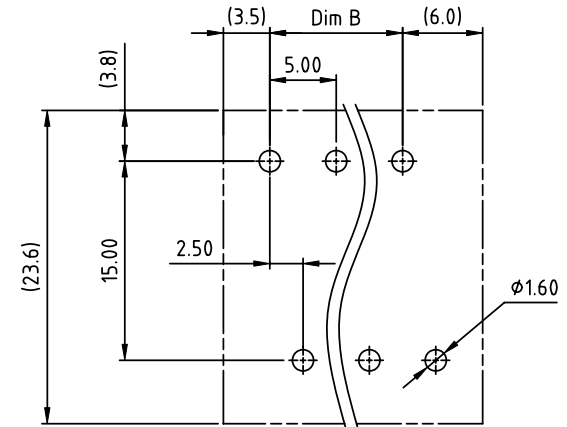
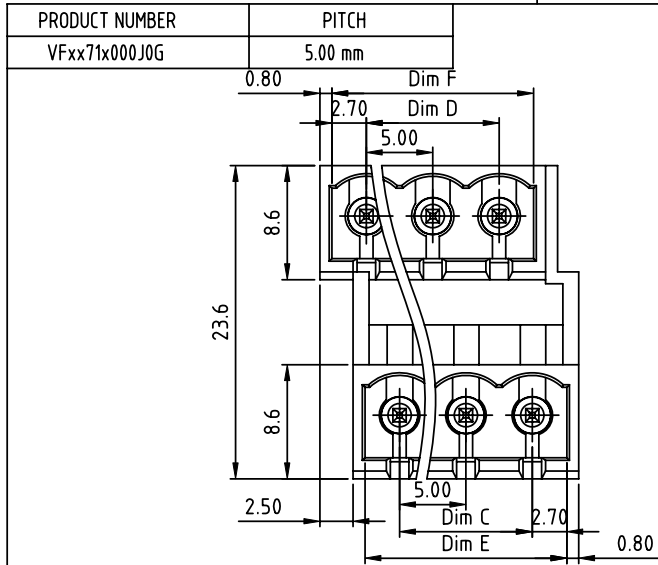
Contact us

Tel: +86-755-8981 8866 Fax: +86-755-8427 6832

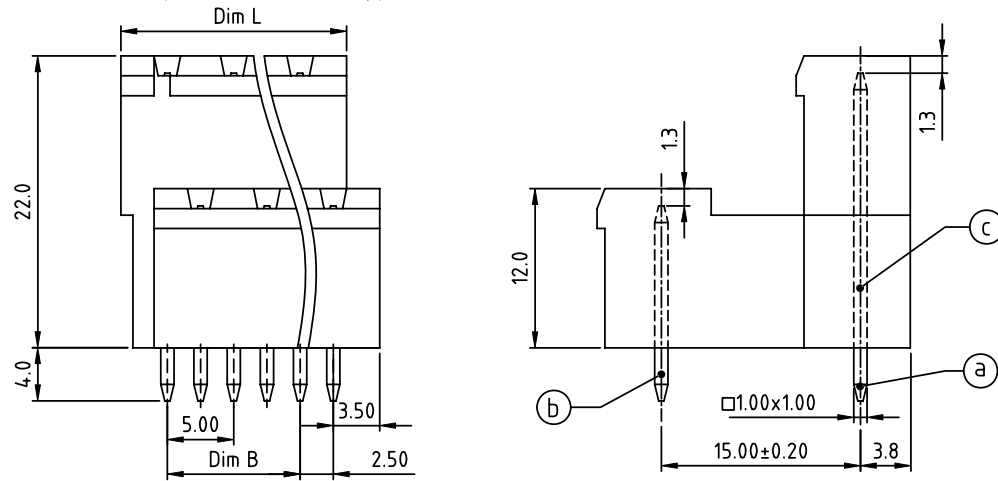
Email & Skype: info@chipsmall.com Web: www.chipsmall.com

Address: A1208, Overseas Decoration Building, #122 Zhenhua RD., Futian, Shenzhen, China





RECOMMENDED P.C.B LAYOUT
TOP VIEW



PART NO.: VF xx 71 x 0 00J0 G

Material:

- Item (a) Short pin: Copper, Tin plated
- Item (b) Long pin: Copper, Tin plated
- Item (c) Terminal (housing): Thermoplastic (UL94V-0)

Electrical cULus

- Voltage rating: 300VAC
- Current rating: 10A
- Withstanding Voltage: 1.6KV
- Operating temperature: -40°C to +115°C
- Soldering temperature: 260°C±5°C/5 Sec
- Safety Approval: cULus

Dimension	Poles	Tolerance
Dim L	N/2×5.0+2.0	±0.15
Dim B	(N/2-1)×5.0	±0.20
Dim C	(N/2-1)×5.0	±0.25
Dim D	(N/2-1)×5.0	±0.30
Dim E	(N/2-1)×5.0+5.4	±0.35
Dim F	(N/2-1)×5.0+5.4	±0.35

N=Number of poles

	Color	RoHS compliant (lead<4% In copper Alloy)
Solid block	0 Black (RAL9005)	
No. of poles	2 Red (RAL3001/D)	
04 2x2poles	3 Orange(RAL2011/P)	
06 2x3poles	4 Yellow(RAL1018/A)	
...	5 Green(RAL6018/T)	
48 2x24poles	6 Blue (RAL5015/A)	
	8 Grey(RAL7035/D)	
	9 White(RAL1102)	
	C Green(RAL6018/U)	

mat'l. code				surface ASME Y14.5	tolerance ASME Y14.5	projection	product family
ltr	ecn	no	dr	date	tolerances unless otherwise specified		TERMINAL BLOCK
					angles	MM	title
					±1°	scale	TERMINAL BLOCK
					dr		PLUGGABLE SOCKET,CLOSE TYPE,VERTICAL
					enr		sheet 1 of 1
					chr		size
					appd		A4
							type
sheet index	revision	A					CUSTOMER Drawing
	sheet	1					