



Chipsmall Limited consists of a professional team with an average of over 10 year of expertise in the distribution of electronic components. Based in Hongkong, we have already established firm and mutual-benefit business relationships with customers from,Europe,America and south Asia,supplying obsolete and hard-to-find components to meet their specific needs.

With the principle of “Quality Parts,Customers Priority,Honest Operation,and Considerate Service”,our business mainly focus on the distribution of electronic components. Line cards we deal with include Microchip,ALPS,ROHM,Xilinx,Pulse,ON,Everlight and Freescale. Main products comprise IC,Modules,Potentiometer,IC Socket,Relay,Connector.Our parts cover such applications as commercial,industrial, and automotives areas.

We are looking forward to setting up business relationship with you and hope to provide you with the best service and solution. Let us make a better world for our industry!



Contact us

Tel: +86-755-8981 8866 Fax: +86-755-8427 6832

Email & Skype: info@chipsmall.com Web: www.chipsmall.com

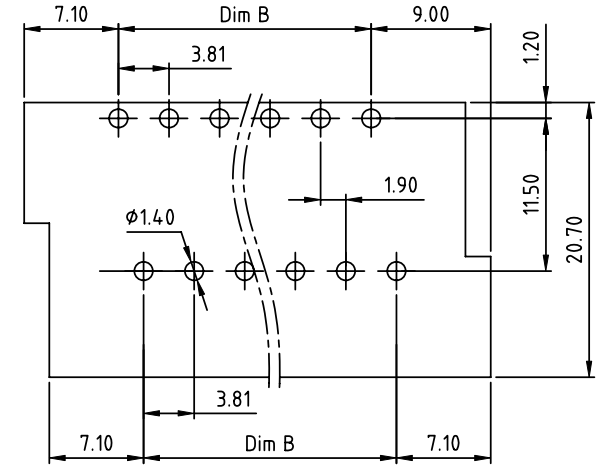
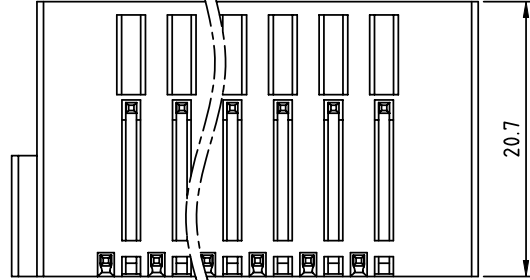
Address: A1208, Overseas Decoration Building, #122 Zhenhua RD., Futian, Shenzhen, China



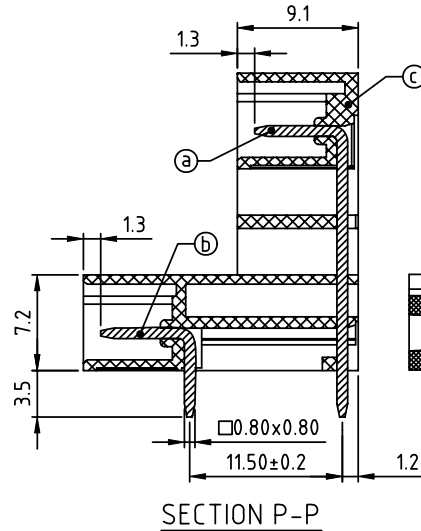
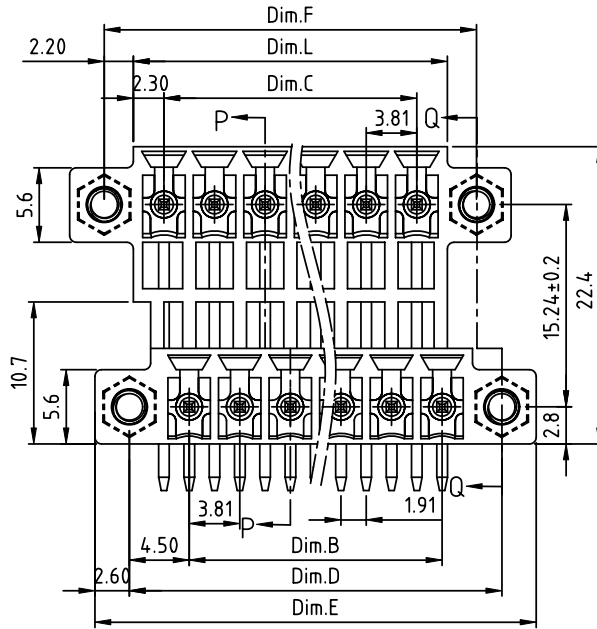
PRODUCT NUMBER	PITCH
VFxx32x100J0G	3.81 mm

PART NO.: VF xx 3 2 x 1 00J0 G

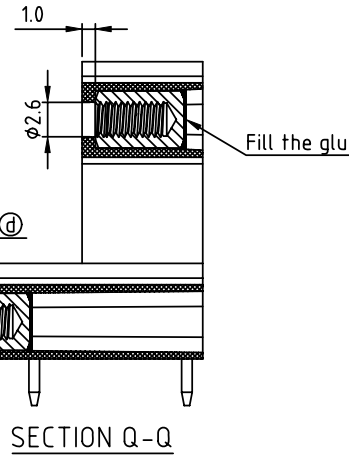
- | | | | |
|--------------|---|-------------------|--|
| Solid block | 0 | Black (RAL9005) | RoHS compliant
(lead<4%)
In copper Alloy |
| No. of poles | 2 | Red (RAL3001/D) | |
| 04 2x2poles | 3 | Orange(RAL2011/P) | |
| 06 2x3poles | 4 | Yellow(RAL1018/A) | |
| | 5 | Green(RAL6018/T) | |
| 48 2x24poles | 6 | Blue (RAL5015/A) | |
| | 8 | Grey(RAL7035/D) | |
| | 9 | White(RAL1102) | |
| | C | Green(RAL6018/U) | |



RECOMMENDED P.C.B LAYOUT
TOP VIEW



SECTION P-P



SECTION Q-Q

Material:

- Item ① Long pin: Copper, Tin plated
- Item ② Short pin: Copper, Tin plated
- Item ③ Terminal (housing): Thermoplastic (UL94V-0)
- Item ④ With flange nut: Brass, M2.5

Electrical cULus

- Voltage rating: 300VAC
- Current rating: 10A
- Withstanding Voltage: 1.6KV
- Operating temperature: -40°C to +115°C
- Soldering temperature: 260°C±5°C/5 Sec
- Safety Approval:

Dimension

Dim.L	(N/2-1) x 3.81+4.60
Dim.B	(N/2-1) x 3.81
Dim.C	(N/2-1) x 3.81
Dim.D	(N/2-1) x 3.81+9.00
Dim.E	(N/2-1) x 3.81+14.20
Dim.F	(N/2-1) x 3.81+9.00

N=Number of poles

Poles	Tolerance
2x2P-2x5P	±0.15
2x6P-2x10P	±0.20
2x11P-2x13P	±0.25
2x14P-2x16P	±0.30

mat'l. code	surface ASME Y14.5	tolerance ASME Y14.5	projection 	product family TERMINAL BLOCK	
ltr	ecn	no	dr	date	title TERMINAL BLOCK
tolerances unless otherwise specified					PLUGGABLE SOCKET, WITH FLANGE, RIGHT ANGLE
angles	φ	X.±0.5	MM		scale
	±	X.X±0.3			dwg no
X°±1°		X.XX±0.1			sheet 1 of 1 size
dr	EVIN ZHONG	042914			VFxx32x100J0G
enr	EVIN ZHONG	042914			A4
chr	HANKE FENG	042914			type
appd	SHI JUN	042914			CUSTOMER Drawing
sheet index	revision	A			
	sheet	1			