



Chipsmall Limited consists of a professional team with an average of over 10 year of expertise in the distribution of electronic components. Based in Hongkong, we have already established firm and mutual-benefit business relationships with customers from,Europe,America and south Asia,supplying obsolete and hard-to-find components to meet their specific needs.

With the principle of “Quality Parts,Customers Priority,Honest Operation,and Considerate Service”,our business mainly focus on the distribution of electronic components. Line cards we deal with include Microchip,ALPS,ROHM,Xilinx,Pulse,ON,Everlight and Freescale. Main products comprise IC,Modules,Potentiometer,IC Socket,Relay,Connector.Our parts cover such applications as commercial,industrial, and automotives areas.

We are looking forward to setting up business relationship with you and hope to provide you with the best service and solution. Let us make a better world for our industry!



Contact us

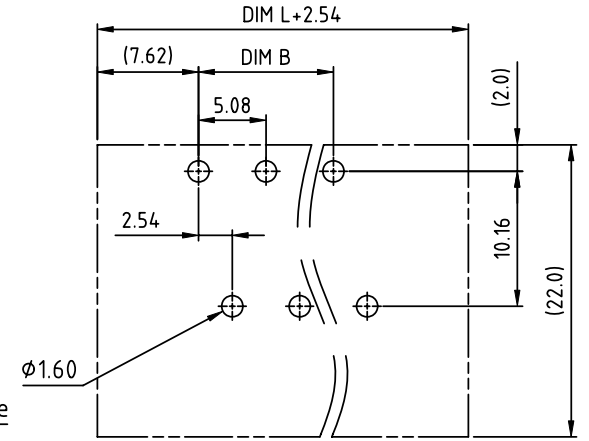
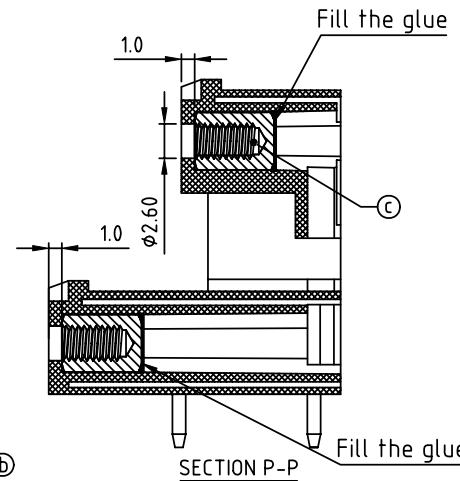
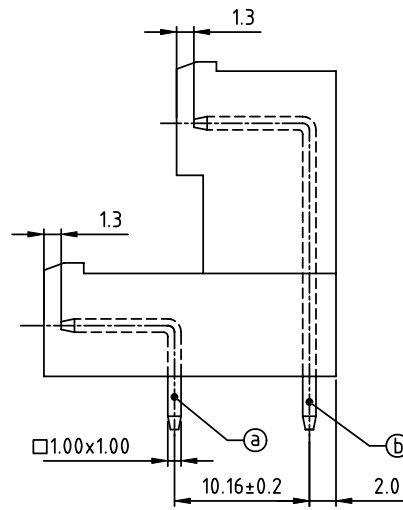
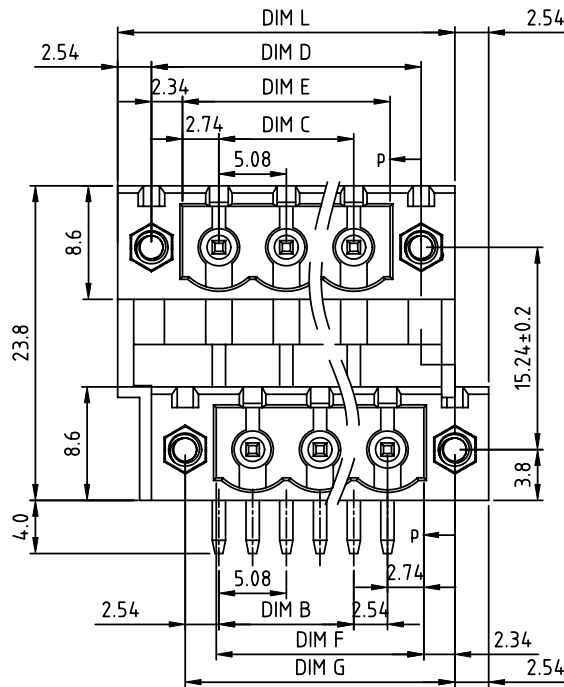
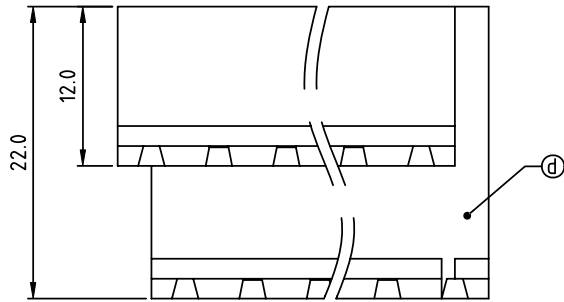
Tel: +86-755-8981 8866 Fax: +86-755-8427 6832

Email & Skype: info@chipsmall.com Web: www.chipsmall.com

Address: A1208, Overseas Decoration Building, #122 Zhenhua RD., Futian, Shenzhen, China



PRODUCT NUMBER	PITCH
VFxx52x100J0G	5.08 mm



RECOMMENDED P.C.B LAYOUT
TOP VIEW

Material:

- Item (a) Short pin: Copper, Tin plated
- Item (b) Long pin: Copper, Tin plated
- Item (c) With flange nut: brass M2.5
- Item (d) Terminal(housing): Thermoplastic (UL94V-0)

Electrical cULus

- Voltage rating: 300VAC
- Current rating: 10A
- Withstanding Voltage: 1.6KV
- Operating temperature: -40°C to +115°C
- Soldering temperature: 260°C±5°C/5 Sec
- Safety Approval:

PART NO.: VF xx 52 x 1 00J0 G

Dimension	(N/2+2)×5.08
Dim L	(N/2+2)×5.08
Dim B	(N/2-1)×5.08
Dim C	(N/2-1)×5.08
Dim D	(N/2-1)×5.08+10.16
Dim E	(N/2-1)×5.08+5.48
Dim F	(N/2-1)×5.08+5.48
Dim G	(N/2-1)×5.08+10.16

N=Number of poles		
Poles	Tolerance	
2×2P-2×5P	±0.15	
2×6P-2×10P	±0.20	
2×11P-2×15P	±0.25	
2×16P-2×20P	±0.30	
2×21P-2×24P	±0.35	

	Solid block	No. of poles	Color	RoHS compliant
0	Black (RAL9005)	2	Red (RAL3001/D)	In copper Alloy
04	2x2poles	3	Orange(RAL2011/P)	
06	2x3poles	4	Yellow(RAL1018/A)	
...	...	5	Green(RAL6018/T)	
48	2x24poles	6	Blue (RAL5015/A)	
		8	Grey(RAL7035/D)	
		9	White(RAL1102)	
		C	Green(RAL6018/U)	

mat'l. code				surface	tolerance	projection	product family	
ltr	ecn	no	dr	ASME Y14.5	ASME Y14.5		TERMINAL BLOCK	
				tolerances unless otherwise specified		MM	title	
				angles	X.±0.5		TERMINAL BLOCK	
				±	X.X±0.3		PLUGGABLE SOCKET, WITH FLANGE, RIGHT ANGLE	
				X*±1"	X.XX±0.1	scale	dwg no	
				dr	EVIN ZHONG 042914		sheet 1 of 1 size	
				enr	EVIN ZHONG 042914		VFxx52x100J0G	
				chr	HANKE FENG 042914		A4	
				appd	SHI JUN 042914		type	
sheet	revision	A						
index	sheet	1						