



Chipsmall Limited consists of a professional team with an average of over 10 year of expertise in the distribution of electronic components. Based in Hongkong, we have already established firm and mutual-benefit business relationships with customers from,Europe,America and south Asia,supplying obsolete and hard-to-find components to meet their specific needs.

With the principle of “Quality Parts,Customers Priority,Honest Operation,and Considerate Service”,our business mainly focus on the distribution of electronic components. Line cards we deal with include Microchip,ALPS,ROHM,Xilinx,Pulse,ON,Everlight and Freescale. Main products comprise IC,Modules,Potentiometer,IC Socket,Relay,Connector.Our parts cover such applications as commercial,industrial, and automotives areas.

We are looking forward to setting up business relationship with you and hope to provide you with the best service and solution. Let us make a better world for our industry!



Contact us

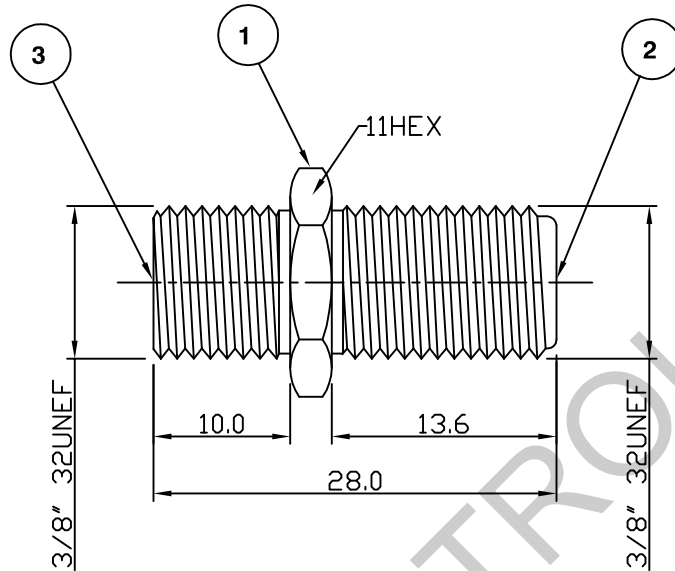
Tel: +86-755-8981 8866 Fax: +86-755-8427 6832

Email & Skype: info@chipsmall.com Web: www.chipsmall.com

Address: A1208, Overseas Decoration Building, #122 Zhenhua RD., Futian, Shenzhen, China



RoHS COMPLIANT



Electrical Characteristics

Nominal Impedance: 75 ohms
 Frequency Range: DC to 2 GHz
 Operating Voltage (rms): 500 V maximum at sea level
 Dielectric Withstand Voltage (rms): 1500 V maximum at sea level
 Contact Resistance: 3.0 milliohms maximum
 Insulation Resistance: 5000 megohms minimum

Mechanical Characteristics

Mating Cycles: 200 cycles minimum
 Interface Dimensions: Conform to MIL-C-39012

Environmental Characteristics

Temperature Range: -55 °C to +85 °C

	PART	DESCRIPTION
1	Body	Brass, nickel plated
2	Dielectric	Polypropylene
3	Contact	Brass, gold plated

First Issue	SN	1	16 Aug 02
DESCRIPTION OF REVISION	APPVD	ISS	DATE



Cinch Connectivity Solutions
 7-13 Russel Way,
 Widford Industrial Estate,
 Chelmsford, Essex,
 CM1 3AA, UK.
 Tel: +44 (0) 1245 359515
 Fax: +44 (0) 1245 358938

SCALE: Not To Scale

DIMENSIONS: mm

TOLERANCES:
 ± 0.2mm unless
 otherwise stated

DRAWN BY:

S Nash

CHECKED BY:

P Couzens

APPROVED BY:

P Couzens

DATE:

16 Aug 02

TITLE:

F Jack to Jack Adaptor

PART NUMBER:

VFA3400

PAGE: 1 of 1