



Chipsmall Limited consists of a professional team with an average of over 10 year of expertise in the distribution of electronic components. Based in Hongkong, we have already established firm and mutual-benefit business relationships with customers from,Europe,America and south Asia,supplying obsolete and hard-to-find components to meet their specific needs.

With the principle of “Quality Parts,Customers Priority,Honest Operation,and Considerate Service”,our business mainly focus on the distribution of electronic components. Line cards we deal with include Microchip,ALPS,ROHM,Xilinx,Pulse,ON,Everlight and Freescale. Main products comprise IC,Modules,Potentiometer,IC Socket,Relay,Connector.Our parts cover such applications as commercial,industrial, and automotives areas.

We are looking forward to setting up business relationship with you and hope to provide you with the best service and solution. Let us make a better world for our industry!



Contact us

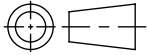
Tel: +86-755-8981 8866 Fax: +86-755-8427 6832

Email & Skype: info@chipsmall.com Web: www.chipsmall.com

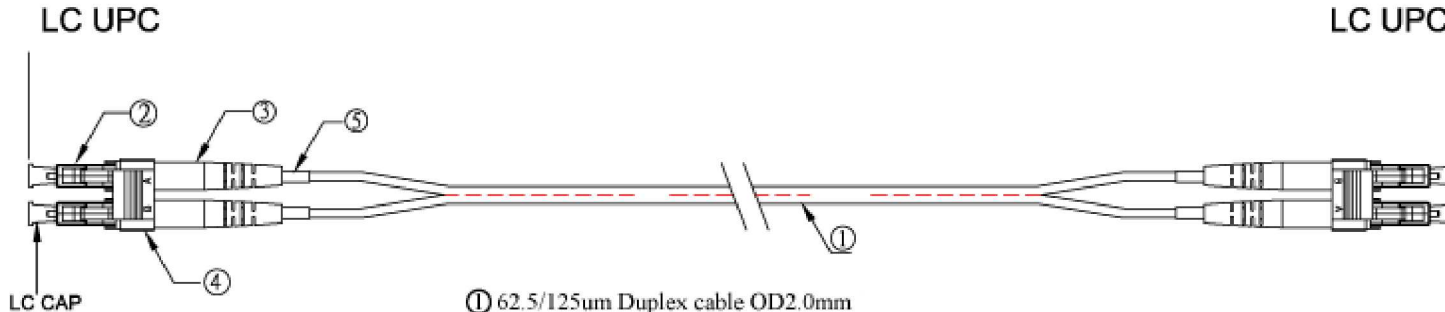
Address: A1208, Overseas Decoration Building, #122 Zhenhua RD., Futian, Shenzhen, China



SW2014



Revision level			Revision Record	Changed	Date	Approved	Date
Drawing	State	Part					
00.0	Design Release		SEE ECN# 013484	GRW	6/30/2016	KAC	6/30/2016



- ① 62.5/125um Duplex cable OD2.0mm
- ② LC/UPC Multimode Housing
- ③ LC/UPC Multimode Boot
- ④ LC Clip
- ⑤ White & Yellow Shrink Tube

VFA_LCLC_
 OM1, OM2, OM3 or OS2
 Length

Type #	Optical Mode	Length in Meters	Article #
VFA1LCLCOM1	OM1	1	904-00551
VFA2LCLCOM1		2	904-00552
VFA3LCLCOM1		3	904-00493
VFA4LCLCOM1		4	904-00553
VFA5LCLCOM1		5	904-00554
VFA10LCLCOM1		10	904-00837
VFA15LCLCOM1	15	904-00838	
VFA20LCLCOM1	20	904-00839	
VFA1LCLCOM2	OM2	1	904-00491
VFA2LCLCOM2		2	904-00492
VFA3LCLCOM2		3	904-00494
VFA5LCLCOM2		5	904-00495
VFA6LCLCOM2		6	904-00840
VFA8LCLCOM2		8	904-00841
VFA9LCLCOM2		9	904-00842
VFA10LCLCOM2		10	904-00825
VFA11LCLCOM2		11	904-00843
VFA12LCLCOM2		12	904-00844
VFA14LCLCOM2		14	904-00845
VFA15LCLCOM2	15	904-00826	
VFA20LCLCOM2	20	904-00827	
VFA1LCLCOM3	OM3	1	904-00462
VFA2LCLCOM3		2	904-00463
VFA3LCLCOM3		3	904-00464
VFA4LCLCOM3		4	904-00465
VFA5LCLCOM3		5	904-00466
VFA7LCLCOM3		7	
VFA15LCLCOM3		15	
VFA20LCLCOM3	20		
VFA25LCLCOM3	25		
VFA30LCLCOM3	30		
VFA1LCLCOS2	OS2	1	904-00599
VFA2LCLCOS2		2	904-00590
VFA3LCLCOS2		3	904-00591
VFA5LCLCOS2		5	904-00593
VFA6LCLCOS2		6	904-00850
VFA8LCLCOS2		8	904-00851
VFA9LCLCOS2		9	904-00852
VFA10LCLCOS2		10	904-00828
VFA11LCLCOS2		11	904-00853
VFA12LCLCOS2		12	904-00849
VFA14LCLCOS2		14	904-00848
VFA15LCLCOS2		15	904-00829
VFA20LCLCOS2	20	904-00830	

Material
ASSEMBLED

Units: **millimeters**
 Dimension without tolerances details to:
 .xxx = ±.013
 .xx = ±.13
 .x = ±.3
 None = ±.8
 < = ±0.5°
 Dimension Formatted mm/[in]

The copyright of this drawing is reserved by HellermannTyton. It is issued on condition that it is not reproduced, copied, or disclosed to a third party, either wholly or in part, without the consent of HellermannTyton.

Drawn	GRW	6/29/2016
Approved	KAC	6/29/2016
 North America Email: corp@htamericas.com Web: www.hellermann.tyton.com		

Article/Type-No VFA_LCLC_
 Title **LC-LC DUPLEX PATCH CORD (OM1,OM2, OM3, OS2)**
 Drawing-No PRODUCTION : Phase
16-1265-001-CSU

Scale 1:1
 Project Number PRP 16-1265
 Format AH
 Sheet 1/1