



Chipsmall Limited consists of a professional team with an average of over 10 year of expertise in the distribution of electronic components. Based in Hongkong, we have already established firm and mutual-benefit business relationships with customers from,Europe,America and south Asia,supplying obsolete and hard-to-find components to meet their specific needs.

With the principle of “Quality Parts,Customers Priority,Honest Operation,and Considerate Service”,our business mainly focus on the distribution of electronic components. Line cards we deal with include Microchip,ALPS,ROHM,Xilinx,Pulse,ON,Everlight and Freescale. Main products comprise IC,Modules,Potentiometer,IC Socket,Relay,Connector.Our parts cover such applications as commercial,industrial, and automotives areas.

We are looking forward to setting up business relationship with you and hope to provide you with the best service and solution. Let us make a better world for our industry!



## Contact us

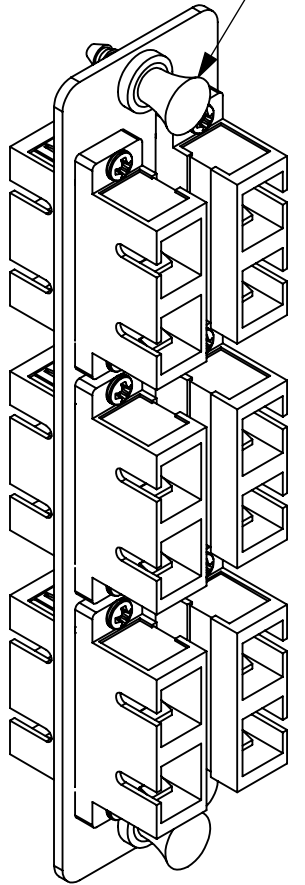
Tel: +86-755-8981 8866 Fax: +86-755-8427 6832

Email & Skype: info@chipsmall.com Web: www.chipsmall.com

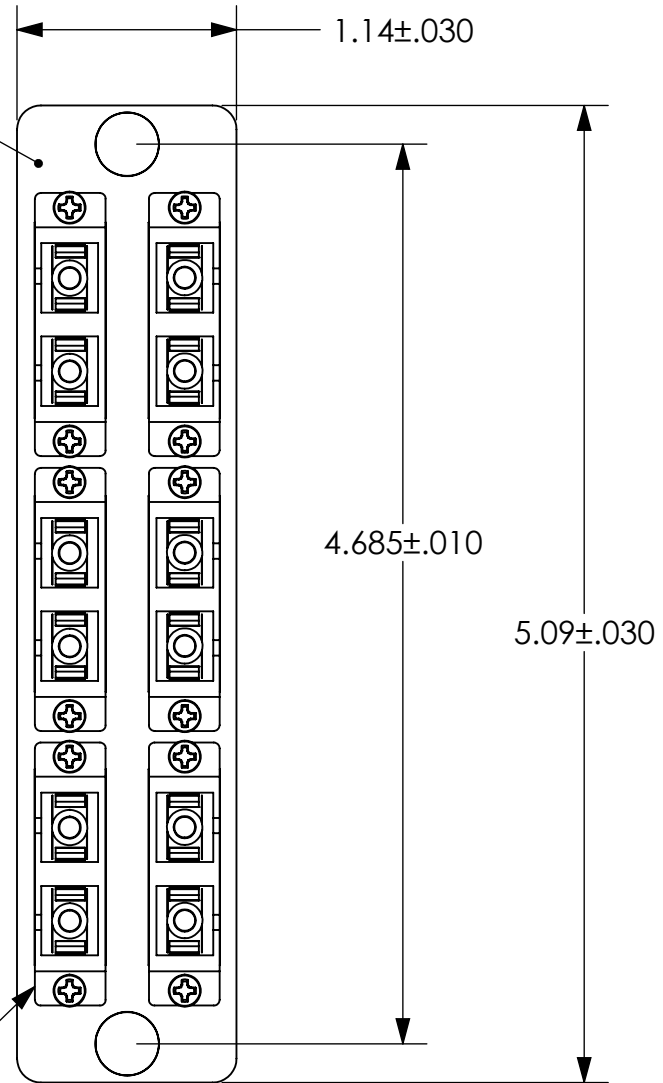
Address: A1208, Overseas Decoration Building, #122 Zhenhua RD., Futian, Shenzhen, China



SNAP LOCK MOUNTING FEATURE(2)



ADAPTER PLATE



DUPLEX SC MM/SM ADAPTERS (6)

03

PRODUCT CODE DESCRIPTION

FAP6D\_ X SC

└─ 10G AQUA ADAPTER(AVAILABLE OPTION)

└─ SM(SINGLE MODE); MM(MULTIMODE)

03

INVENTORS

**HellermannTyton®**

ALL PROPRIETARY RIGHTS IN THE SUBJECT MATTER SHOWN ON THIS DRAWING ARE EXCLUSIVE PROPERTY OF HELLERMANN TYTON

name	date	city, state

REVISION

D level	by	date	ECN #	part level
03	AAC	04/26/13	012346	-

DIMENSIONS

FOOTER UNITS	units
.xxxx = ±.0005	inches
.xxx = ±.005	
.xx = ±.01	
.x = ±.03	
∠ = ±0.5°	
unless otherwise specified	

PART

number	FAP6D_ X SC	phase	Production
name	FIBER OPTIC ADAPTER PANEL WITH 6 DUPLEX SC MM/SM ADAPTERS		
material	ASSEMBLED		

DRAWING

format	AH	CAD	SW2011	scale	1:1
computer file name	F13001006CST_03		previous drawing number		
drawn	AAC	checked	KAC	approved	
	07/08/2010		04/26/13		
type	Customer		sheet 1 of 1		
number	<b>F13001006CST</b>				