



Chipsmall Limited consists of a professional team with an average of over 10 year of expertise in the distribution of electronic components. Based in Hongkong, we have already established firm and mutual-benefit business relationships with customers from,Europe,America and south Asia,supplying obsolete and hard-to-find components to meet their specific needs.

With the principle of “Quality Parts,Customers Priority,Honest Operation,and Considerate Service”,our business mainly focus on the distribution of electronic components. Line cards we deal with include Microchip,ALPS,ROHM,Xilinx,Pulse,ON,Everlight and Freescale. Main products comprise IC,Modules,Potentiometer,IC Socket,Relay,Connector.Our parts cover such applications as commercial,industrial, and automotives areas.

We are looking forward to setting up business relationship with you and hope to provide you with the best service and solution. Let us make a better world for our industry!



Contact us

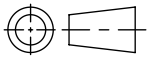
Tel: +86-755-8981 8866 Fax: +86-755-8427 6832

Email & Skype: info@chipsmall.com Web: www.chipsmall.com

Address: A1208, Overseas Decoration Building, #122 Zhenhua RD., Futian, Shenzhen, China



SW2014



Revision level			Revision Record	Changed	Date	Approved	Date
Drawing	State	Part					
00.0	Design Release		SEE ECN# 013484	GRW	6/30/2016	KAC	6/30/2016

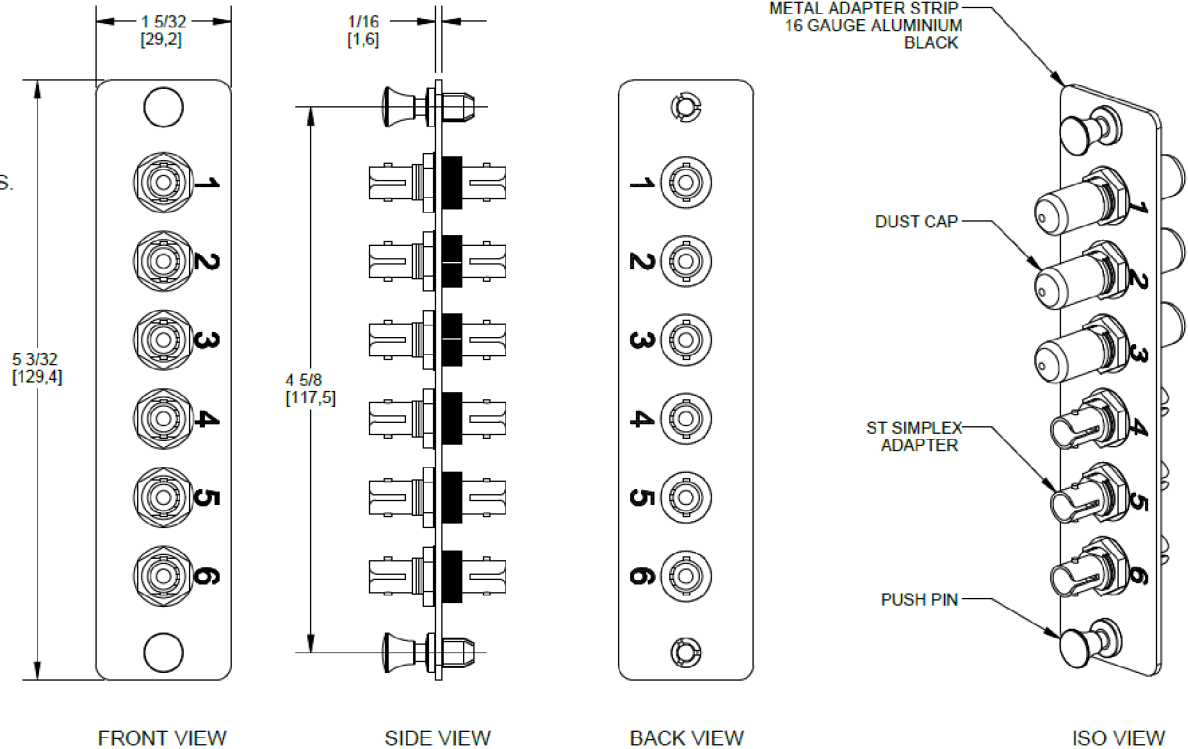
FEATURES AND BENEFITS:

- INDUSTRY STANDARD SIZE: LGX FOOTPRINT 5 3/32 [130] X 1 5/32 [29].
- SILKSCREENED PORTS NUMBERS ON BOTH SIDES.
- WIDE VARIETY OF ADAPTER QUANTITY & TYPE.
- MANUFACTURED WITH HIGH PERFORMANCE COMPONENT MATERIALS.
- LOW INSERTION LOSS.
- PRECISE ALIGNMENT FOR GLASS-TO-GLASS CONTACT.
- BLANK ADAPTER STRIP ALSO AVAILABLE TO COVER UNOCCUPIED CUT-OUTS.
- PUSH-PIN MECHANISM ALLOWS EASY AND QUICK TOOL-LESS INSTALLATION.

NOTES:

1. ALL DIMENSIONS ARE IN INCHES [MILLIMETERS].
2. INSERTION LOSS: 0.3dB MAX.
3. OPERATING & STORAGE TEMPERATURE -40°C TO +85°C
4. CERTIFICATIONS AND COMPLIANCES:

- ROHS
- GR-326-CORE
- TIA/EIA-568-C.3
- TIA-604-2A
- TIA-455 SERIES
- UL 94
- ASTM A1008
- IEC-61754-1



Type #	Mode	Article #
VFAP6SMMST	MULTI	904-00377
VFAP6SSMSTZ	SINGLE	904-00378

Material ASSEMBLED	Units: inches	The copyright of this drawing is reserved by HellermannTyton. It is issued on condition that it is not reproduced, copied, or disclosed to a third party, either wholly or in part, without the consent of HellermannTyton.	Drawn	GRW	6/29/2016	Article/Type-No	VFAP6S_	Scale	1:1
	Dimension without tolerances details to: .xxxx = ±.0005 .xxx = ±.005 .xx = ±.01 .x = ±.03 None = ±.06 ∠ = ±0.5° Dimension Formatted in/[mm]		Approved	KAC	6/29/2016	Title	FT ADAPTER PANEL WITH 6 ST CONNECTORS	Project Number	PRP 16-1269
	HellermannTyton North America Email: corp@htamericas.com Web: www.hellermann.tyton.com		Drawing-No		PRODUCTION : Phase		Format	AH	
			16-1269-001-CSU				Sheet	1/1	