



Chipsmall Limited consists of a professional team with an average of over 10 year of expertise in the distribution of electronic components. Based in Hongkong, we have already established firm and mutual-benefit business relationships with customers from,Europe,America and south Asia,supplying obsolete and hard-to-find components to meet their specific needs.

With the principle of “Quality Parts,Customers Priority,Honest Operation,and Considerate Service”,our business mainly focus on the distribution of electronic components. Line cards we deal with include Microchip,ALPS,ROHM,Xilinx,Pulse,ON,Everlight and Freescale. Main products comprise IC,Modules,Potentiometer,IC Socket,Relay,Connector.Our parts cover such applications as commercial,industrial, and automotives areas.

We are looking forward to setting up business relationship with you and hope to provide you with the best service and solution. Let us make a better world for our industry!



Contact us

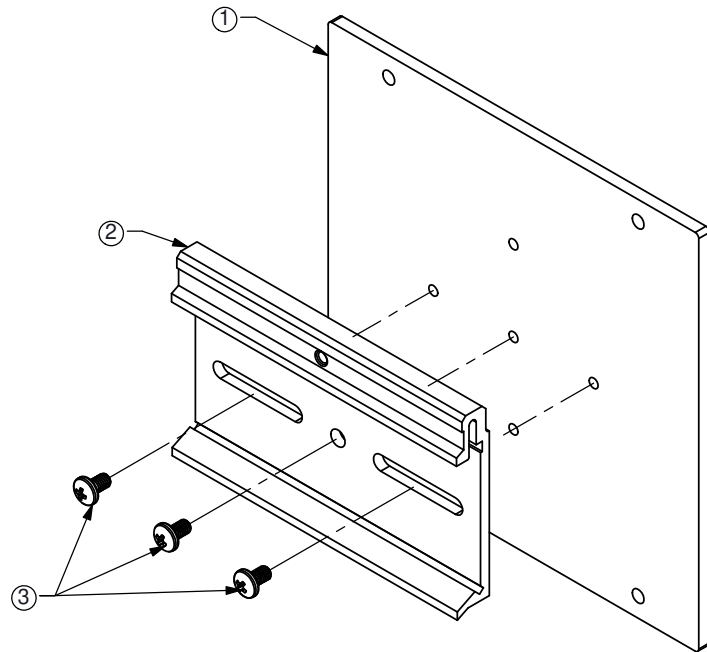
Tel: +86-755-8981 8866 Fax: +86-755-8427 6832

Email & Skype: info@chipsmall.com Web: www.chipsmall.com

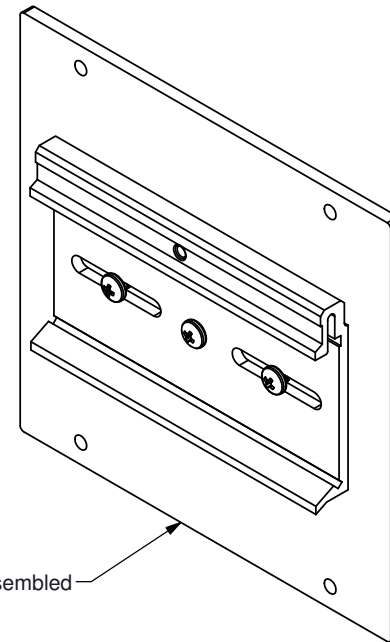
Address: A1208, Overseas Decoration Building, #122 Zhenhua RD., Futian, Shenzhen, China



REV.	DESCRIPTION	DATE
A	NEW DRAWING	5/20/2013

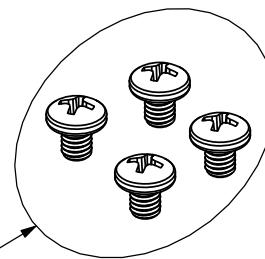


EXPLODED VIEW



Shipped Assembled

ASSEMBLY VIEW



④ Shipped Loose



CUI INC

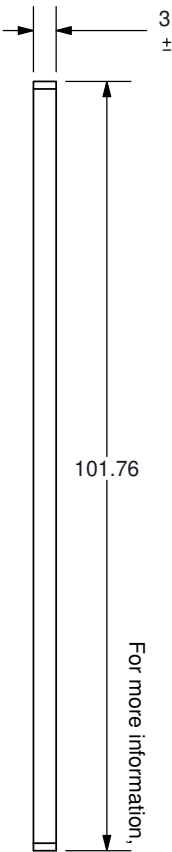
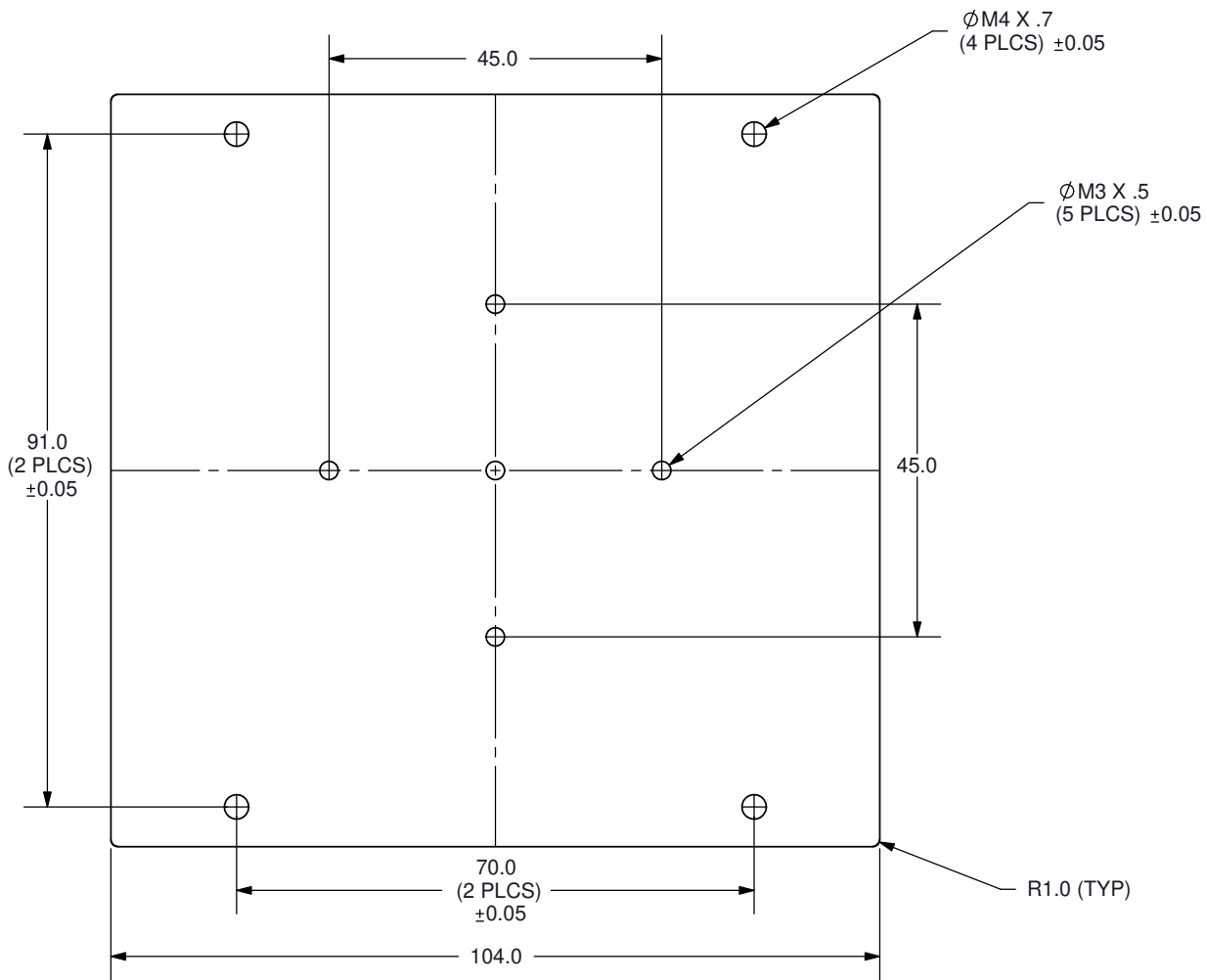
20050 SW 112th Ave.
Tualatin, OR 97062
Phone: 503-612-2300
800-275-4899
Fax: 503-612-2383
Website: www.cui.com

ITEM	DESCRIPTION	QUANTITY	TITLE: DIN RAIL MOUNTING BRACKET KIT	REV: A
1	VHK-DRA	1	PART NO. VHK-DIN	UNITS: MM
2	VDRP-02	1		
3	M3X6 SCREWS	3	DRAWN BY: RDS	APPROVED BY:
4	M4X5 SCREWS	4		

PC FILE NAME:
VHK-DIN

COPYRIGHT 2013 BY CUI INC.

REV.	DESCRIP
A	NEW DRAW



For more information, please visit the [CUI website](#).

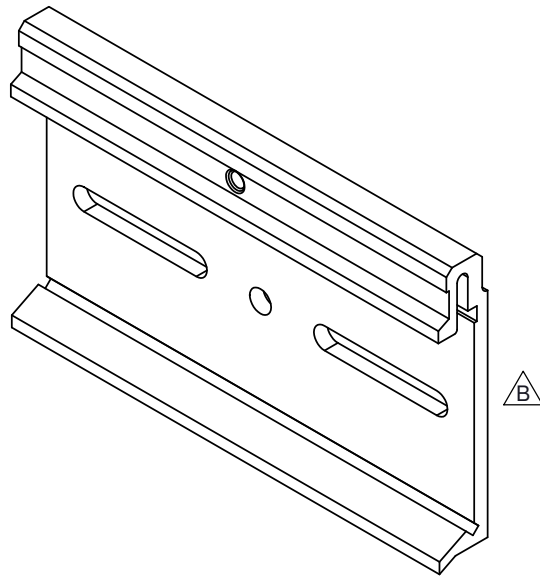
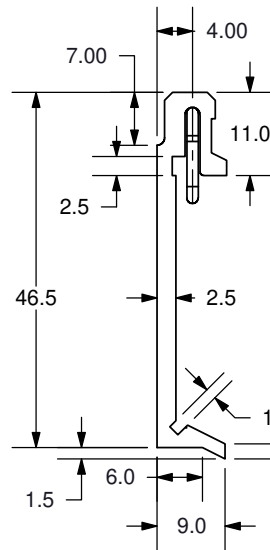
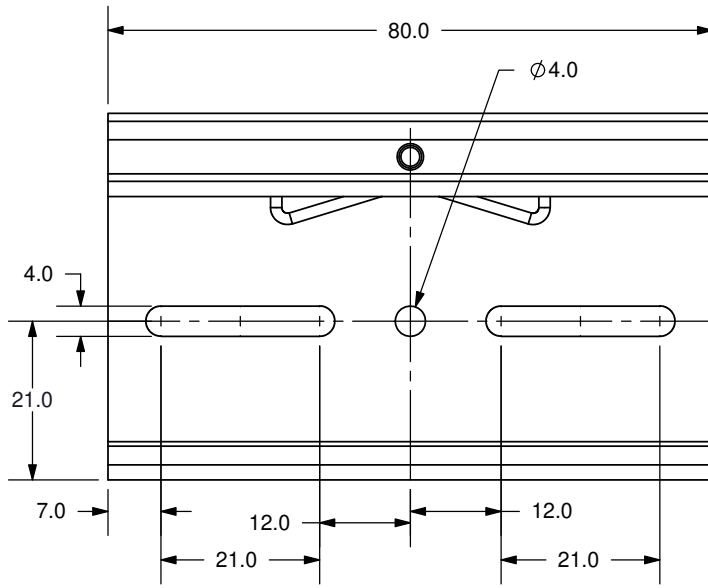
TOLERANCE: ±0.2mm UNLESS OTHERWISE SPECIFIED

TITLE: MOUNTING
 PART NO. VHK-DRA
 DRAWN BY: RDS

PC FILE NAME:

COPYRIGHT 2013 BY CUI INC.

REV.	DESC
A	NEW D
B	update



For more information, please visit the [technical page](#).

TOLERANCE: $\pm 0.3\text{mm}$ UNLESS OTHERWISE SPECIFIED

MATERIAL: ALUMINUM



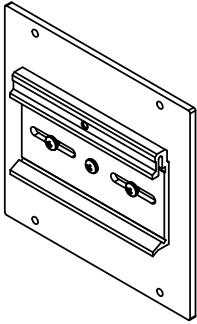
TITLE:	DIN RAIL MO
PART NO.	VDRP-02
DRAWN BY:	RDS

PC FILE NAME:

COPYRIGHT 2013 BY CUI INC.

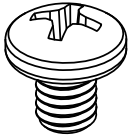
REV.	DESCRIPTION
A	NEW DRAWING
B	updated drawing

1



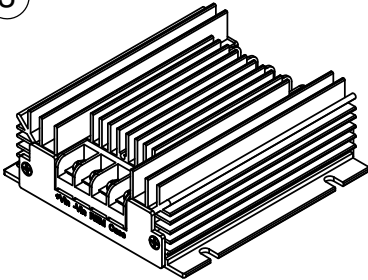
SUB-ASSEMBLY
(See page 1)
QTY: 1

2

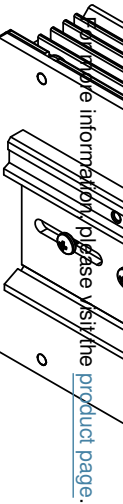
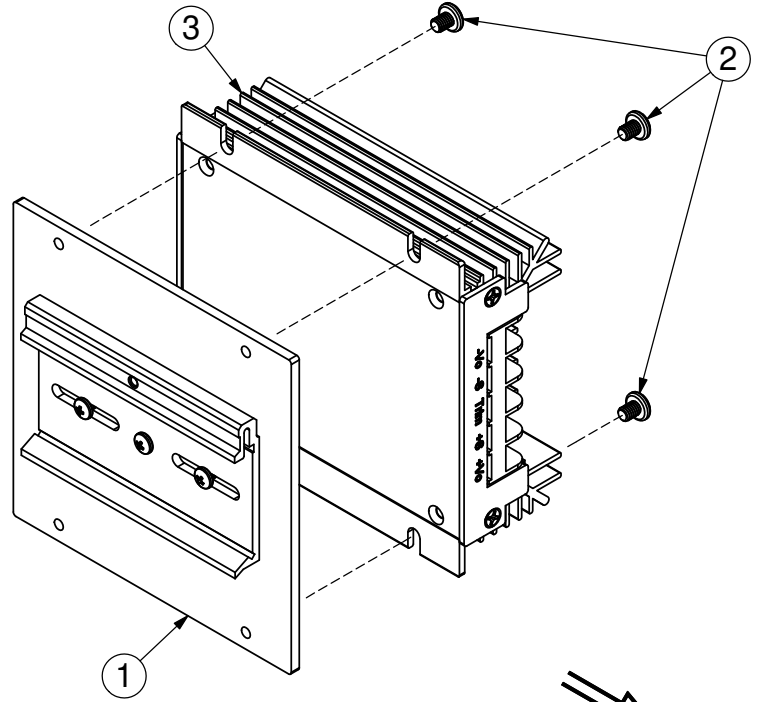


M4X0.5
5mm length
LOOSE SCREWS
(See page 1)
QTY: 4

3



VHK CHASSIS
MOUNT DC-DC
CONVERTER
QTY: 1
(sold separately)



TITLE:	DIN RAIL ASSEMBLY
PART NO.:	VHK-DIN a
DRAWN BY:	RDS

PC FILE NAME:

COPYRIGHT 2013 BY CUI INC.