



Chipsmall Limited consists of a professional team with an average of over 10 year of expertise in the distribution of electronic components. Based in Hongkong, we have already established firm and mutual-benefit business relationships with customers from,Europe,America and south Asia,supplying obsolete and hard-to-find components to meet their specific needs.

With the principle of “Quality Parts,Customers Priority,Honest Operation,and Considerate Service”,our business mainly focus on the distribution of electronic components. Line cards we deal with include Microchip,ALPS,ROHM,Xilinx,Pulse,ON,Everlight and Freescale. Main products comprise IC,Modules,Potentiometer,IC Socket,Relay,Connector.Our parts cover such applications as commercial,industrial, and automotives areas.

We are looking forward to setting up business relationship with you and hope to provide you with the best service and solution. Let us make a better world for our industry!



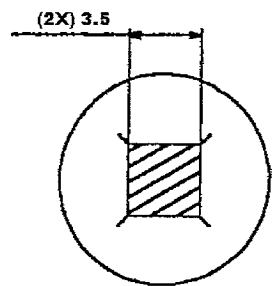
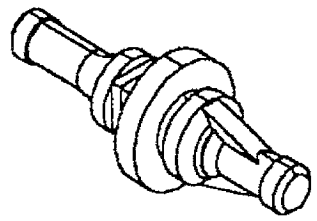
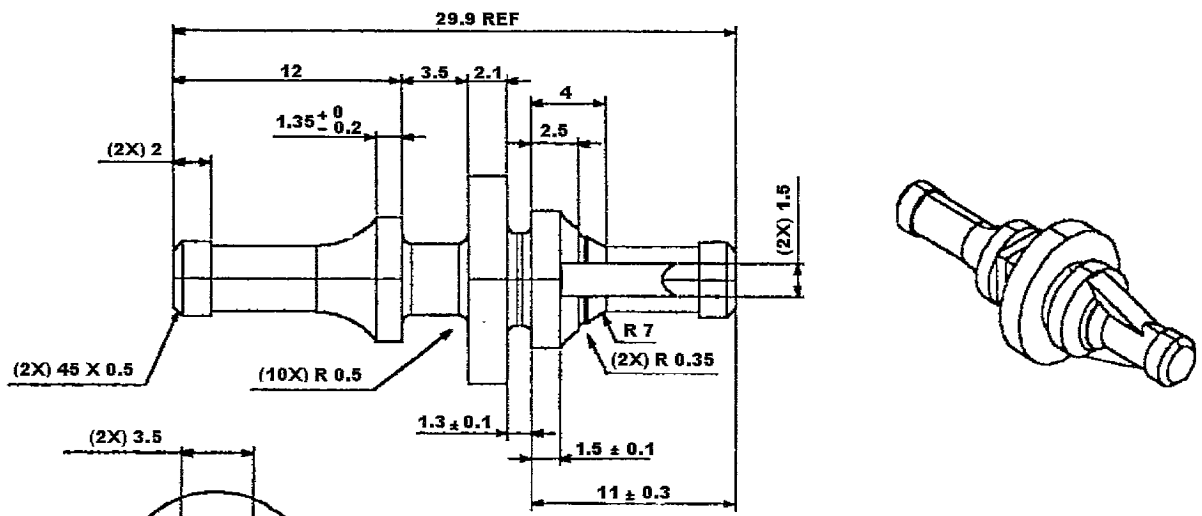
Contact us

Tel: +86-755-8981 8866 Fax: +86-755-8427 6832

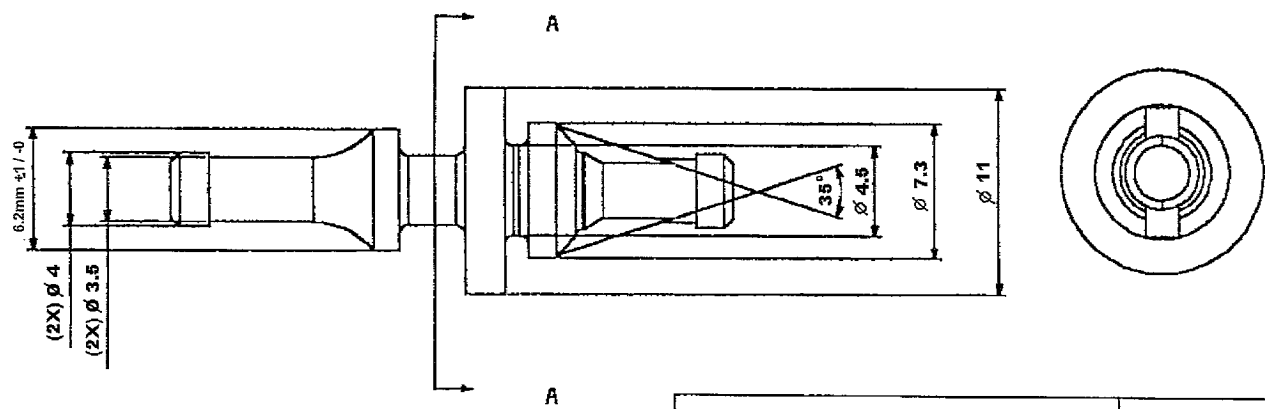
Email & Skype: info@chipsmall.com Web: www.chipsmall.com

Address: A1208, Overseas Decoration Building, #122 Zhenhua RD., Futian, Shenzhen, China





SECTION : A-A
SCALE 10:1



NOTES

- ① MATERIAL TO BE ASTM D-2000 TYPE M3BA407 B13C12Z.
- ② SUFFIX Z: MATERIAL TO HAVE A BASHORE RESILIENCE OF 15% ±4% AND A 35 ±5 DUROMETER A.
3. WARNING: THIS MANUFACTURING PROCESS MAY INCLUDE HAZARDOUS OPERATIONS AND REQUIRE SPECIAL HEALTH AND/OR SAFETY PRECAUTIONS.
- ④ SUGGESTED RUBBER FORMULA:
 EXXON BUTYL 268.....80.0
 DUPONT NORDEL 1070....20.0
 STEARIC ACID.....1.0
 HAF BLACK.....20.0
 SUNPAR 2280.....20.0
 ZINC OXIDE.....5.0
 SULFER.....1.0
 MBTS.....0.5
 TMTDS.....2.0
 CURE @165°C FOR 20 MINUTES
5. 0.15 mm MAX MISMATCH PERMISSIBLE ON PARTING LINE, 2° DRAFT PERMISSIBLE.
6. APPLICATION: FOR USE IN MOUNTING FANS WITH ∅4.3 ±0.3mm HOLES AND FLANGE 3 TO 5.5mm THICK. SUPPORT MOUNTING TO BE ∅4.9 ±0.15mm AND 1 TO 2mm THICKNESS.
7. PARTS TO BE DIP COATED WITH A METHYL SILICONE WATER BASED EMULSION. THE EMULSION CAN BE OBTAINED FROM UNION CARBIDE CORP., SO. CHARLESTON, WV. PRODUCT NO. LE-46 EMULSION.

MECHATRONICS, INC.	Rev.02	2-04-2015
PART NUMBER: VI-1	DESCRIPTION: VIBRATION ISOLATOR	