



Chipsmall Limited consists of a professional team with an average of over 10 year of expertise in the distribution of electronic components. Based in Hongkong, we have already established firm and mutual-benefit business relationships with customers from,Europe,America and south Asia,supplying obsolete and hard-to-find components to meet their specific needs.

With the principle of “Quality Parts,Customers Priority,Honest Operation,and Considerate Service”,our business mainly focus on the distribution of electronic components. Line cards we deal with include Microchip,ALPS,ROHM,Xilinx,Pulse,ON,Everlight and Freescale. Main products comprise IC,Modules,Potentiometer,IC Socket,Relay,Connector.Our parts cover such applications as commercial,industrial, and automotives areas.

We are looking forward to setting up business relationship with you and hope to provide you with the best service and solution. Let us make a better world for our industry!



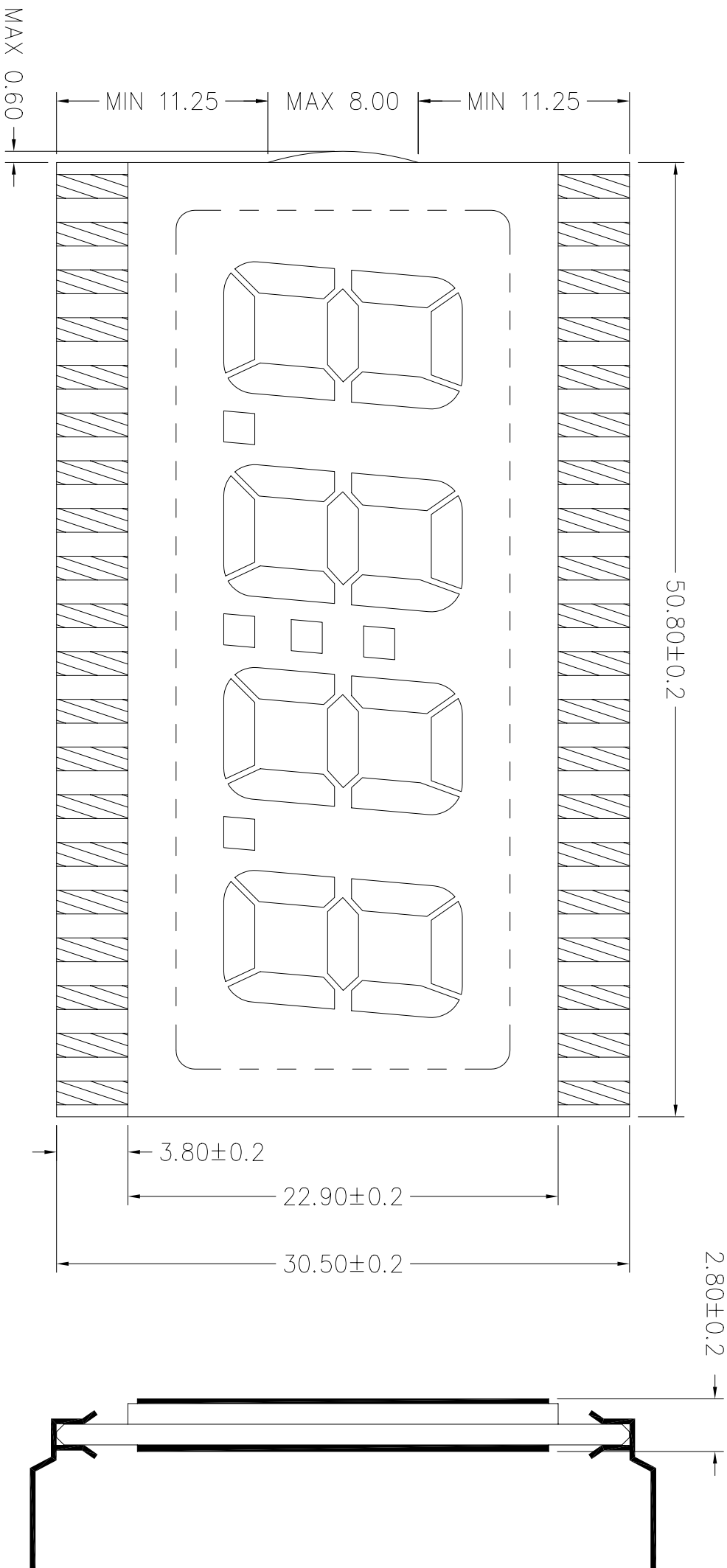
Contact us

Tel: +86-755-8981 8866 Fax: +86-755-8427 6832

Email & Skype: info@chipsmall.com Web: www.chipsmall.com

Address: A1208, Overseas Decoration Building, #122 Zhenhua RD., Futian, Shenzhen, China

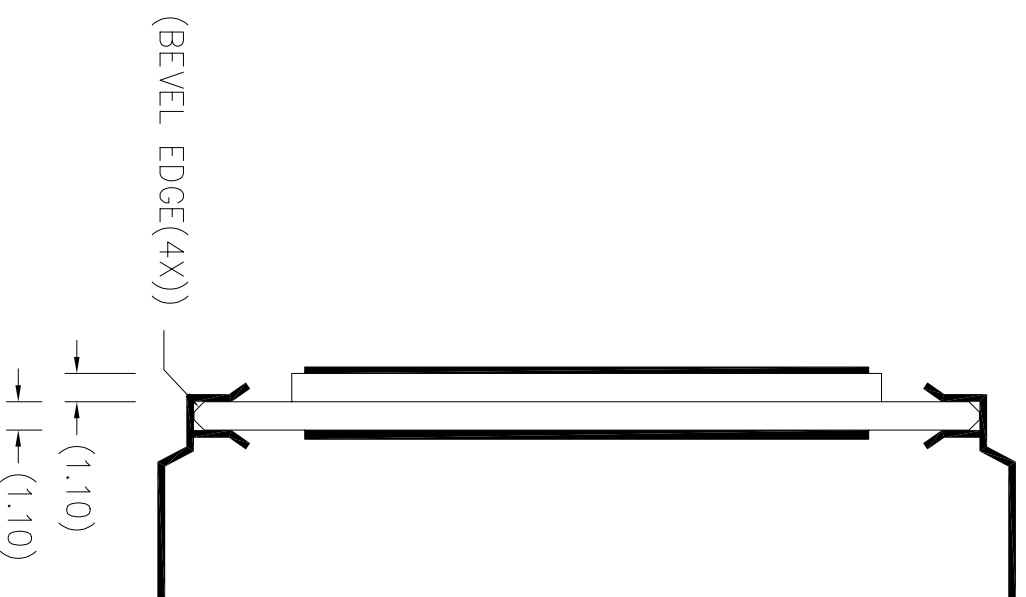
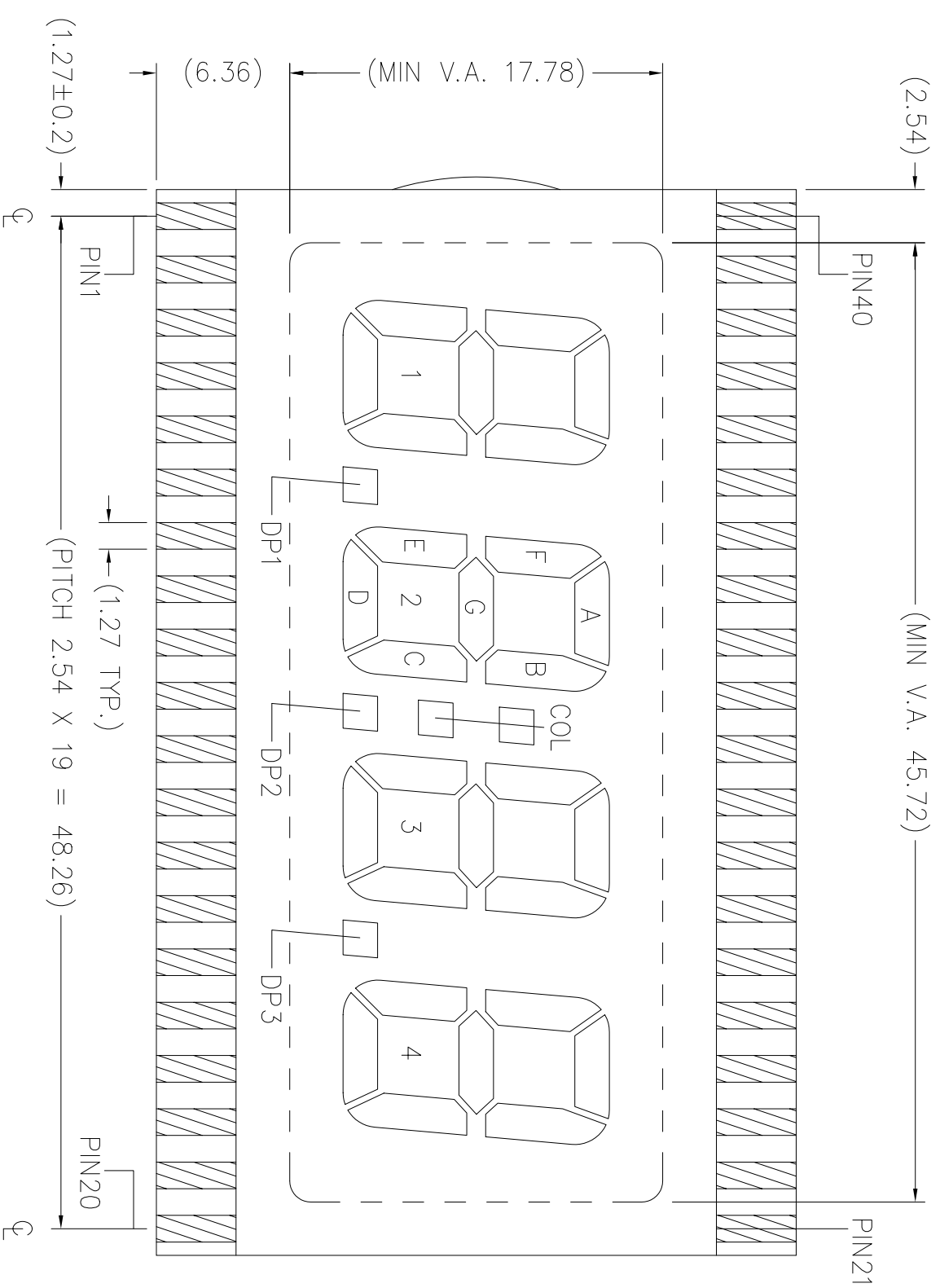




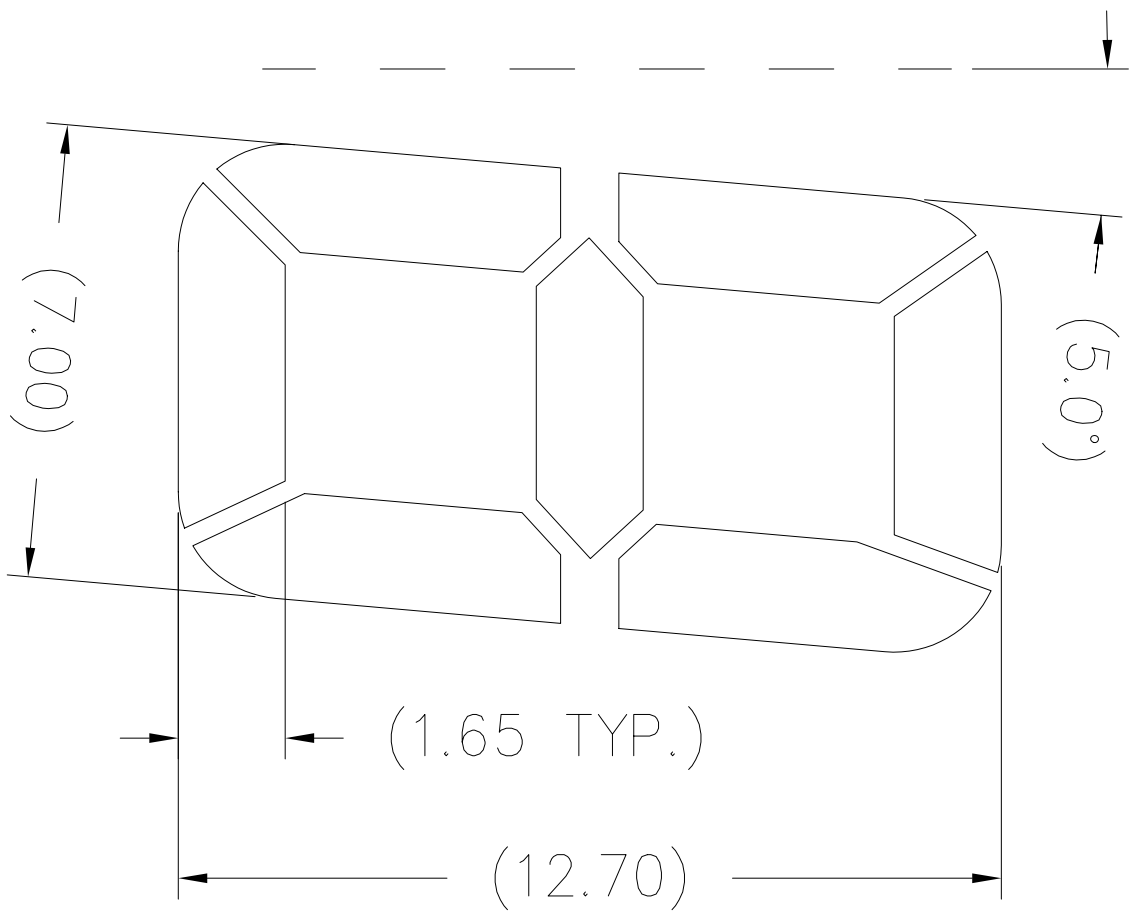
REMARKS: "◇" SPECIAL CHARACTERISTIC
 " + " SAFETY CHARACTERISTIC
 " () " REFERENCE ONLY

| | | | | | |
|-----------------------|---------|------------------|---------------------------|----------------------|----------------------|
| VARITRONIX LTD. | | Dimension : mm | TOL : ±0.2 IF NOT SPECIFY | DD NOT SCALE DRAWING | 3rd ANGLE PROJECTION |
| DWG. NO. : VI-402-DP0 | REV : 0 | Drawn by : INA | SIGN : | Date : 2004-11-11 | |
| | | Checked by : YIN | SIGN : | Date : | |

DWG.NO.: VI-402-DP (REV.0)



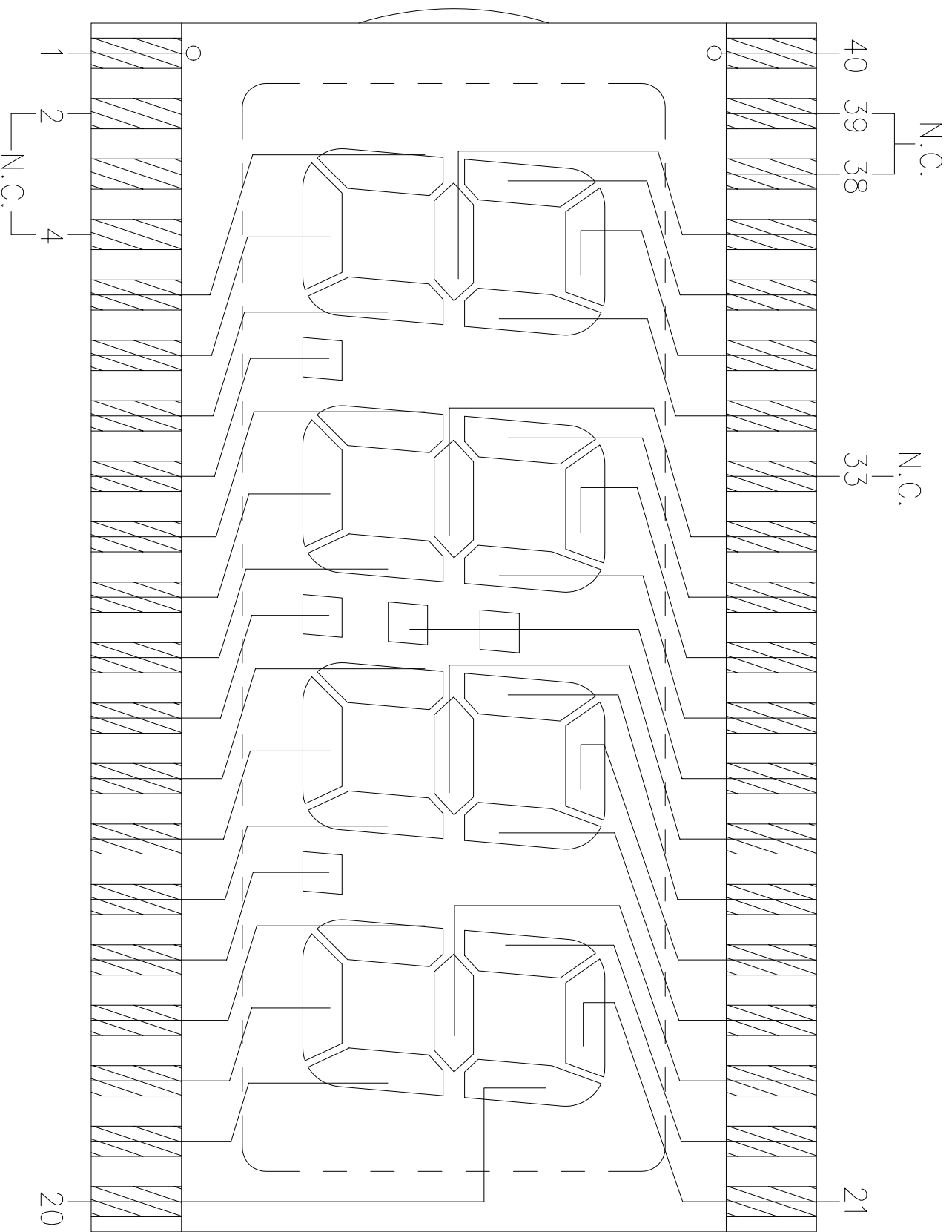
DWG. NO.: VI-402-DP (REV.0)



DIGIT 1-4

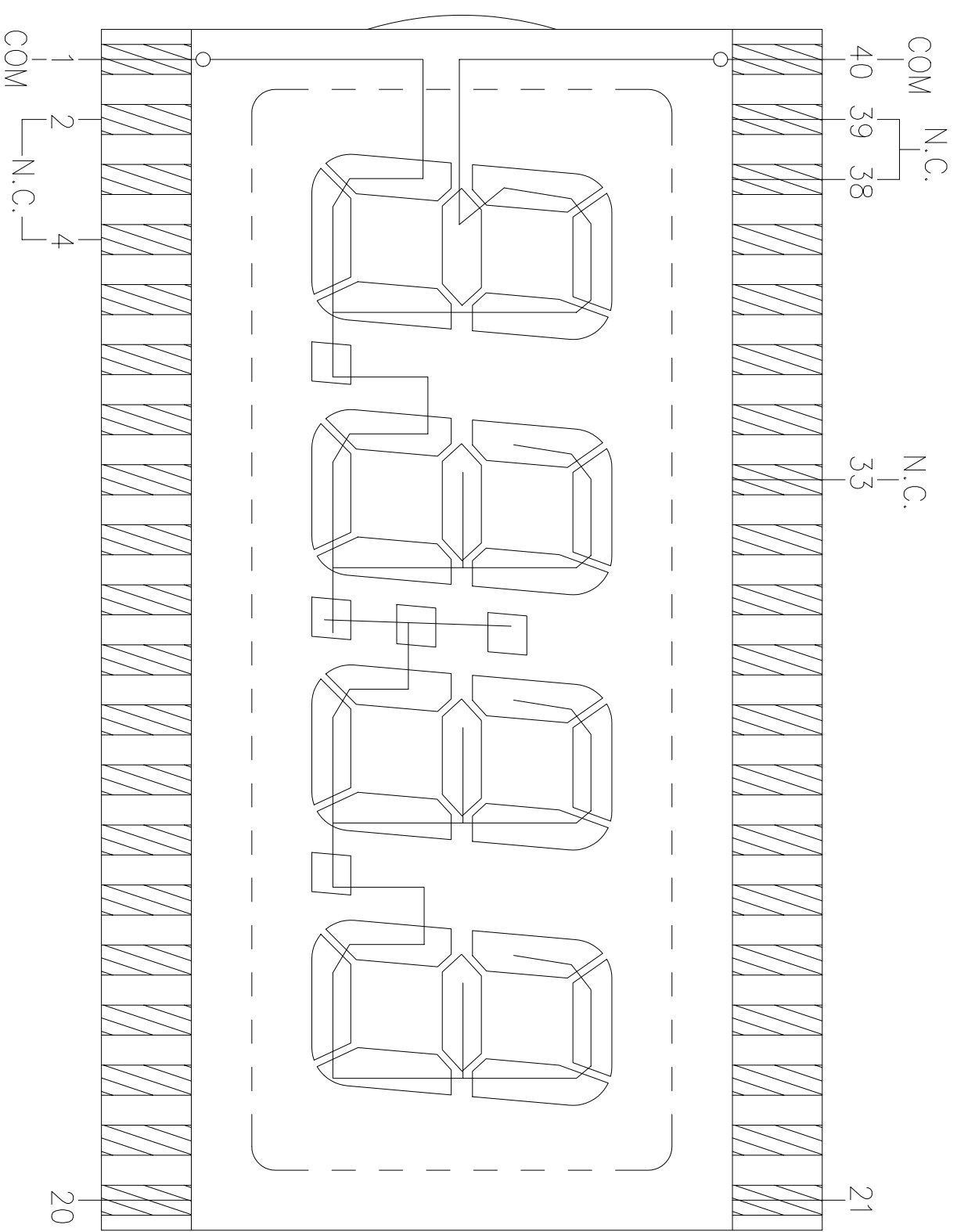
DWG. NO.: VI-402-DP (REV.0)

SEGMENT TRACKING



REMARKS: N.C. = NO CONNECTION

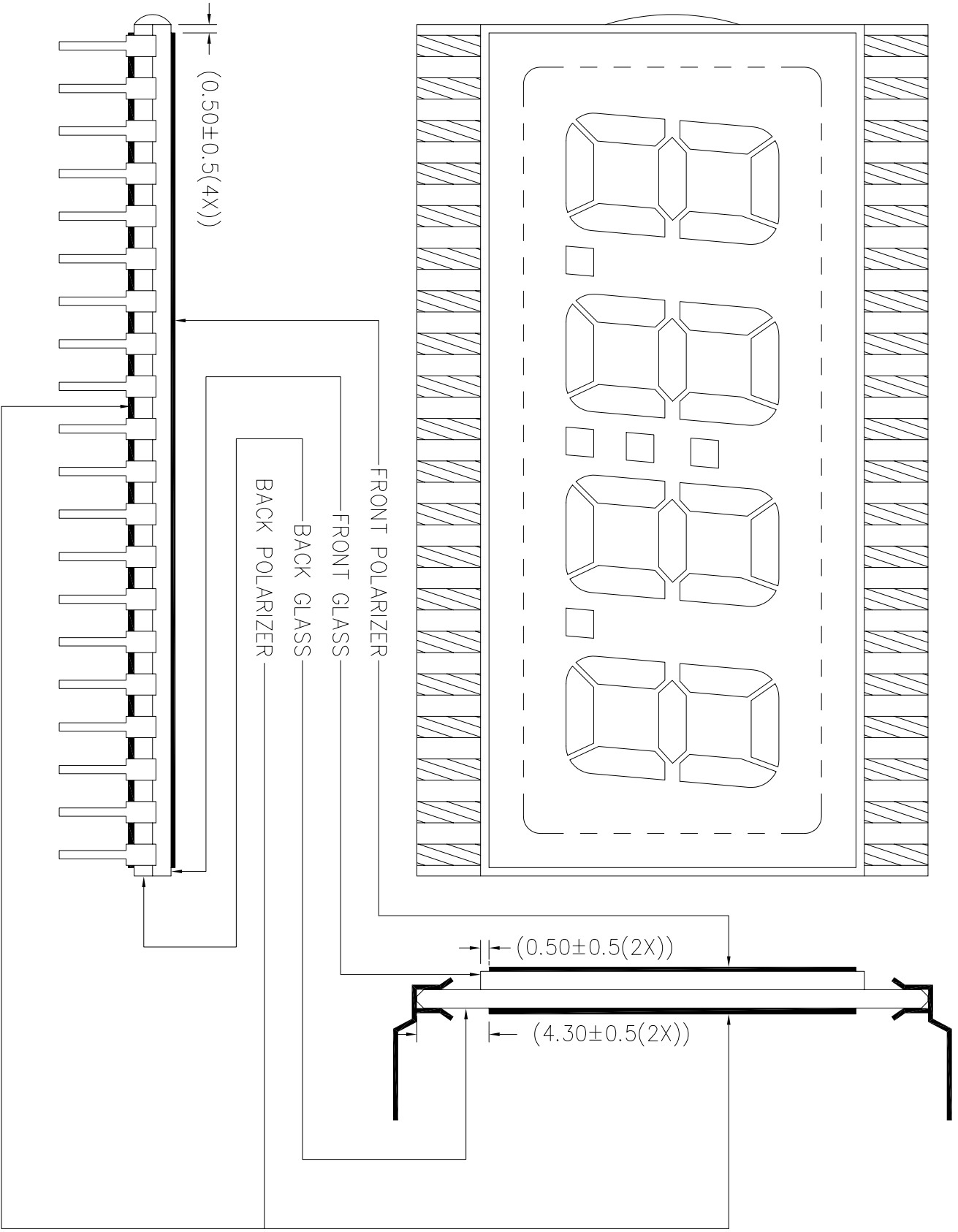
COMMON TRACKING



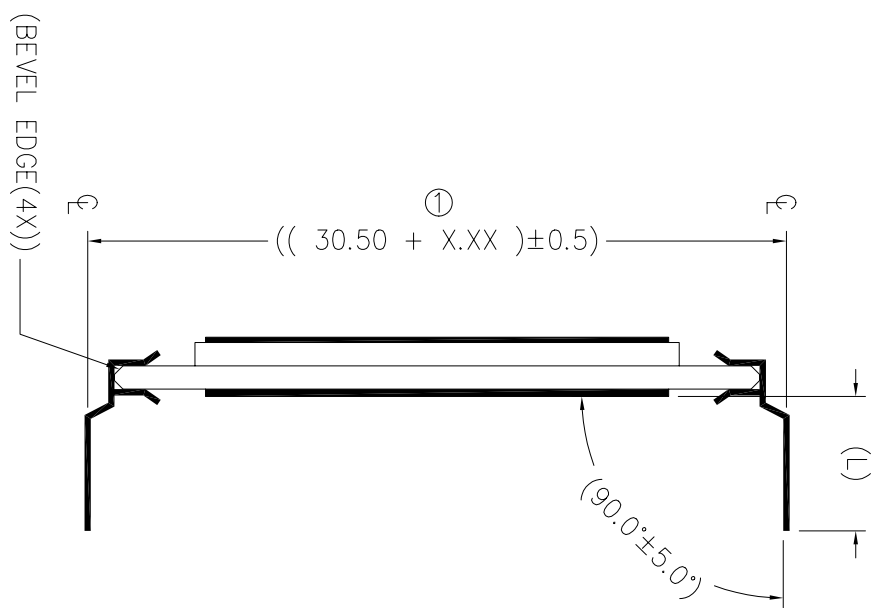
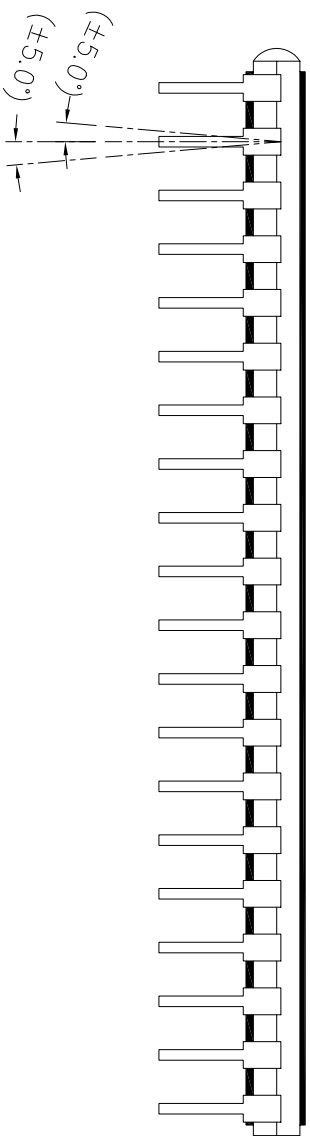
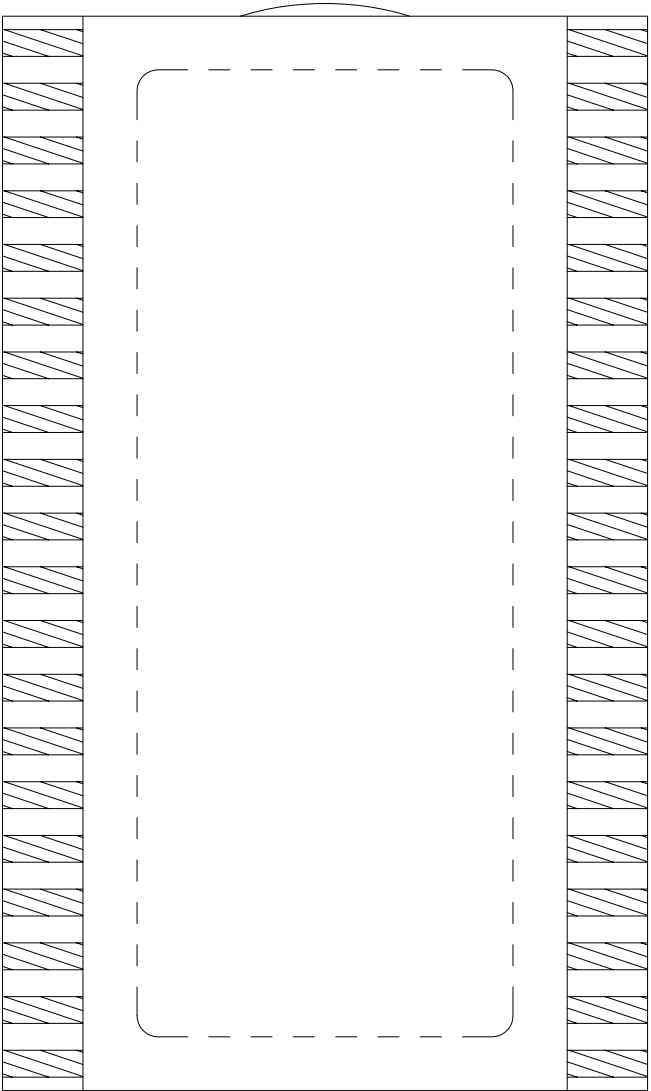
REMARKS: N.C. = NO CONNECTION

SAME COMMON SHOULD BE CONNECTED TOGETHER ON THE P.C.B.

| | | | |
|-----------------------------------|--|------------------|-------------------|
| VARTRONIX LIMITED | | OPEN LAYER : | SCALE |
| POLARIZER LOCATION DIAGRAM | | P | Do not scale |
| DOC. NO. : PL-VI-402-DP-01 | | Drawn by : INA | Date : 2004-11-12 |
| | | Checked by : INA | Date : 2004-11-12 |
| | | Approval By : | Date : 2004-11-15 |



| | | | |
|----------------------------------|------------------|-------------------|--------------|
| VARITRONIX LIMITED | | OPEN LAYER : | SCALE |
| DIL-PIN DETAILS LOCATION DIAGRAM | | DP-10 | Do not scale |
| DOC. NO. : DP-VI-402-DP-01 | Drawn by : INA | Date : 2004-11-12 | |
| | Checked by : INA | Date : 2004-11-12 | |
| ALL DIMENSIONS IN mm | Approval by : | Date : 2004-11-15 | |



REMARKS: PIN LENGTH (L) REFER TO COVER PAGE

- ① ----- X.XX=2.54 (FOR PIN LENGTH \geq 3.20 & \leq 10.00mm)
- X.XX=1.75 (FOR PIN LENGTH $>$ 10.00 & \leq 19.50mm)

DWG.NO.: VI-402-DP (REV.0)

| PIN | COM | PIN | COM |
|-----|------|-----|------|
| 1 | COM | 21 | 4A |
| 2 | N.C. | 22 | 4F |
| 3 | N.C. | 23 | 4G |
| 4 | N.C. | 24 | 3B |
| 5 | 1E | 25 | 3A |
| 6 | 1D | 26 | 3F |
| 7 | 1C | 27 | 3G |
| 8 | DP1 | 28 | COL |
| 9 | 2E | 29 | 2B |
| 10 | 2D | 30 | 2A |
| 11 | 2C | 31 | 2F |
| 12 | DP2 | 32 | 2G |
| 13 | 3E | 33 | N.C. |
| 14 | 3D | 34 | 1B |
| 15 | 3C | 35 | 1A |
| 16 | DP3 | 36 | 1F |
| 17 | 4E | 37 | 1G |
| 18 | 4D | 38 | N.C. |
| 19 | 4C | 39 | N.C. |
| 20 | 4B | 40 | COM |

REMARKS: N.C. = NO CONNECTION

SAME COMMON SHOULD BE CONNECTED TOGETHER ON THE P.C.B.