



Chipsmall Limited consists of a professional team with an average of over 10 year of expertise in the distribution of electronic components. Based in Hongkong, we have already established firm and mutual-benefit business relationships with customers from,Europe,America and south Asia,supplying obsolete and hard-to-find components to meet their specific needs.

With the principle of “Quality Parts,Customers Priority,Honest Operation,and Considerate Service”,our business mainly focus on the distribution of electronic components. Line cards we deal with include Microchip,ALPS,ROHM,Xilinx,Pulse,ON,Everlight and Freescale. Main products comprise IC,Modules,Potentiometer,IC Socket,Relay,Connector.Our parts cover such applications as commercial,industrial, and automotives areas.

We are looking forward to setting up business relationship with you and hope to provide you with the best service and solution. Let us make a better world for our industry!



## Contact us

Tel: +86-755-8981 8866 Fax: +86-755-8427 6832

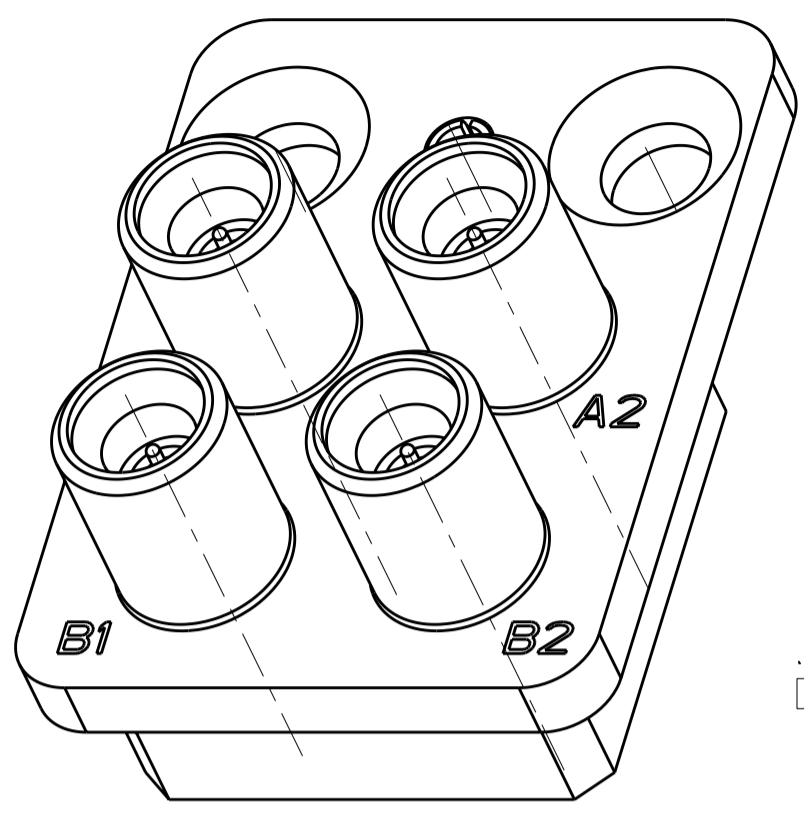
Email & Skype: info@chipsmall.com Web: www.chipsmall.com

Address: A1208, Overseas Decoration Building, #122 Zhenhua RD., Futian, Shenzhen, China

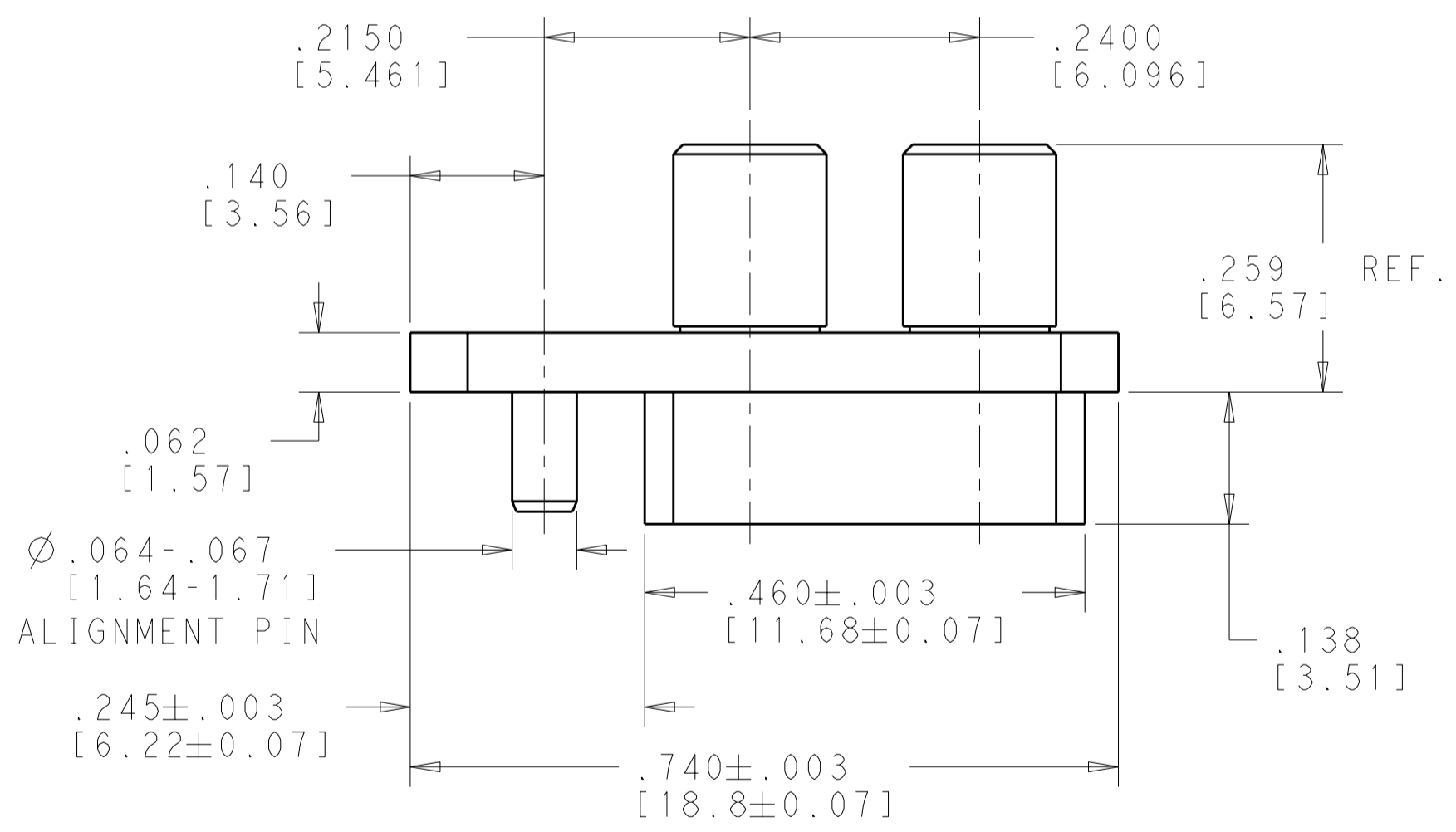
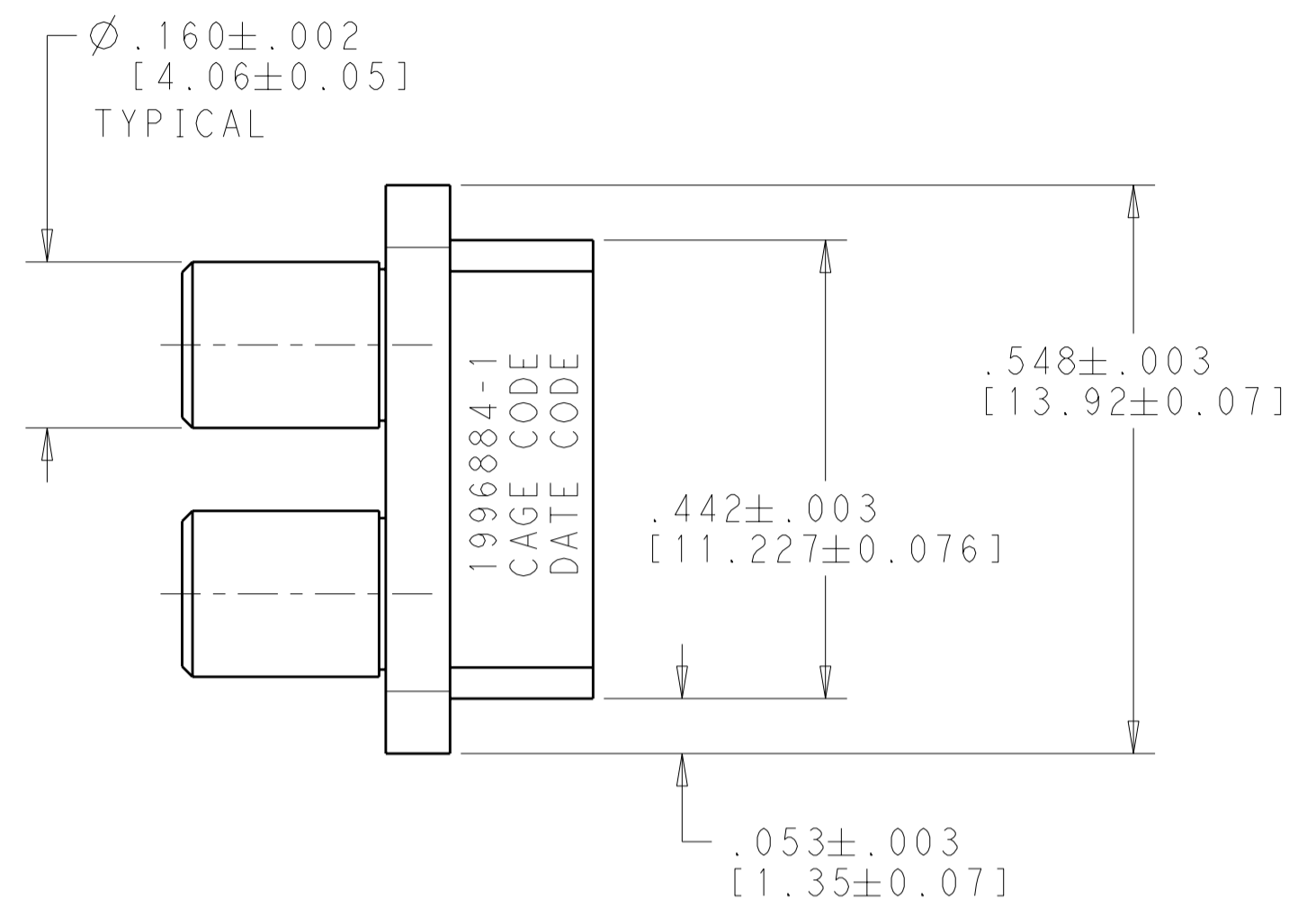
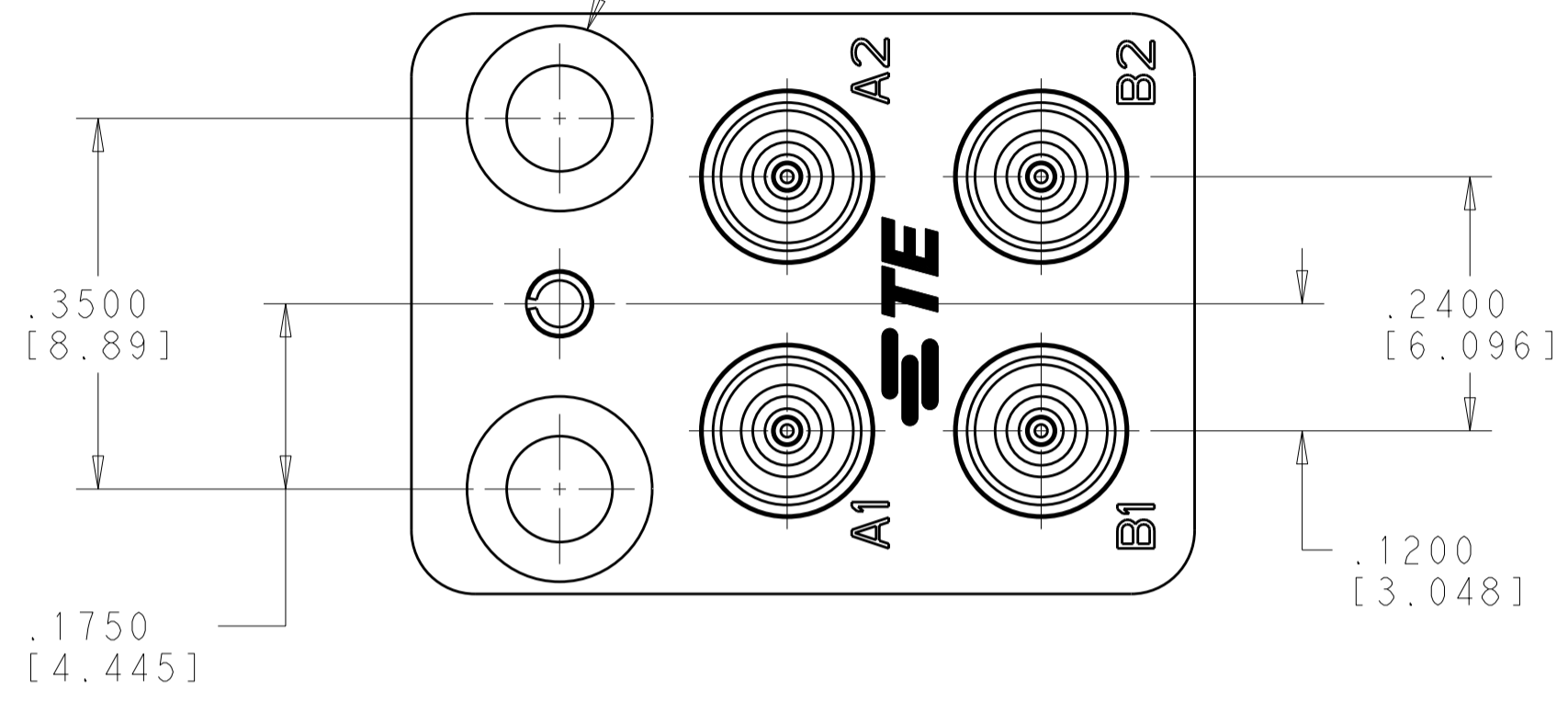


THIS DRAWING IS UNPUBLISHED. RELEASED FOR PUBLICATION 20  
 © COPYRIGHT 20 BY - ALL RIGHTS RESERVED.

REVISIONS					
P	LTR	DESCRIPTION	DATE	DWN	APVD
	H	RELEASED PER ECO 11-014579	7-25-11	CT	WM



Ø.100 MOUNTING HOLES  
 ACCEPT 2-56 UNC, 100° C'SINK  
 FLAT HEAD SCREWS  
 (2 PLACES)



NOTES:

- MATERIAL:  
 SMOOTHBORE SMPM CONNECTOR BODY & CENTER CONTACT - BERYLIUM COPPER, ALLOY UNS C17300 CONDITION TDO4, PER ASTM B196.  
 INSULATORS - TEFLON (PTFE) ROD, PER ASTM D 1710.  
 MODULE BODY - STAINLESS STEEL, PER UNS S30300.  
 SLOTTED SPRING PIN - NICKEL STAINLESS STEEL

- FINISH:  
 SMOOTHBORE SMPM CONNECTOR BODY & CENTER CONTACT - GOLD PLATE OVER NICKEL  
 MODULE BODY & SLOTTED PIN - PASSIVATED

1996884-1  
 PART NUMBER

THIS DRAWING IS A CONTROLLED DOCUMENT.		DWN S. T. Morley 24 JUL 2009	TE Connectivity	
DIMENSIONS: INCHES [mm]		CHK S. T. Morley 24 JUL 2009		
TOLERANCES UNLESS OTHERWISE SPECIFIED:		APVD S. T. Morley 24 JUL 2009	NAME 4 POSITION R.F. MODULE P.C.B. MOUNT - BACKPLANE VITA 67 3U	
0 PLC ±- 1 PLC ±.1 2 PLC ±.01 3 PLC ±.005 4 PLC ±.0010 ANGLES ±1.0° FINISH		PRODUCT SPEC -	SIZE A200779	DRAWING NO. C-1996884
MATERIAL		APPLICATION SPEC -	RESTRICTED TO -	SCALE 6:1
		WEIGHT -	SHEET 1 OF 1	
		CUSTOMER DRAWING	REV H	