



Chipsmall Limited consists of a professional team with an average of over 10 year of expertise in the distribution of electronic components. Based in Hongkong, we have already established firm and mutual-benefit business relationships with customers from,Europe,America and south Asia,supplying obsolete and hard-to-find components to meet their specific needs.

With the principle of “Quality Parts,Customers Priority,Honest Operation,and Considerate Service”,our business mainly focus on the distribution of electronic components. Line cards we deal with include Microchip,ALPS,ROHM,Xilinx,Pulse,ON,Everlight and Freescale. Main products comprise IC,Modules,Potentiometer,IC Socket,Relay,Connector.Our parts cover such applications as commercial,industrial, and automotives areas.

We are looking forward to setting up business relationship with you and hope to provide you with the best service and solution. Let us make a better world for our industry!



## Contact us

Tel: +86-755-8981 8866 Fax: +86-755-8427 6832

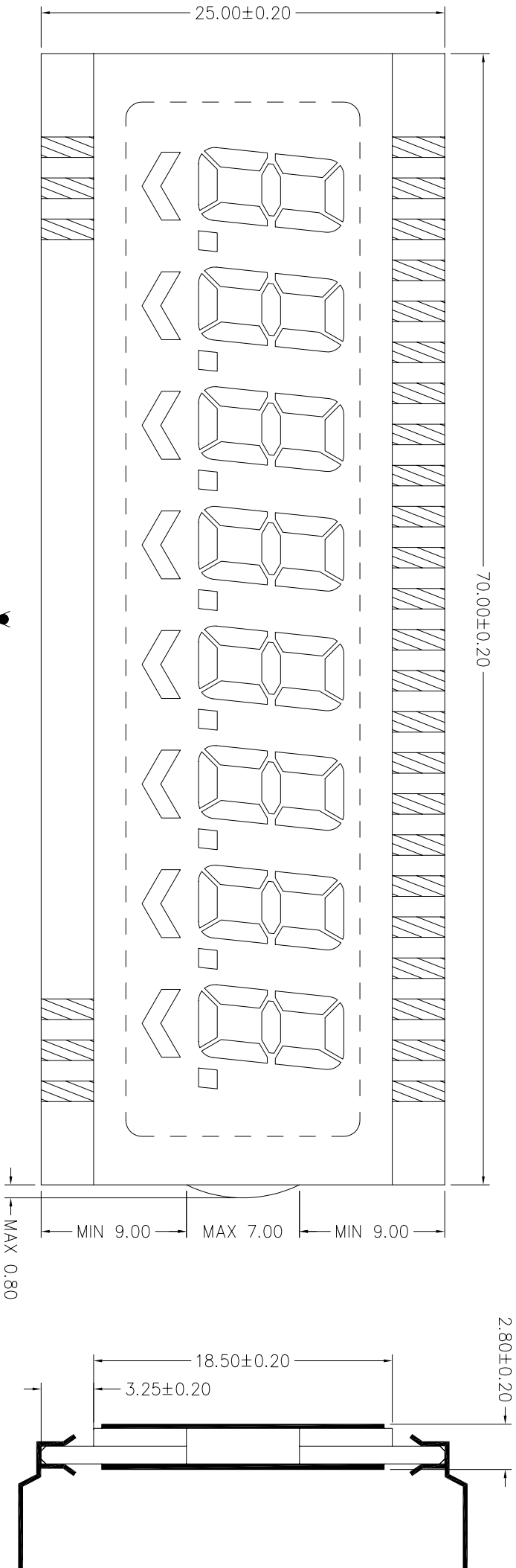
Email & Skype: info@chipsmall.com Web: www.chipsmall.com

Address: A1208, Overseas Decoration Building, #122 Zhenhua RD., Futian, Shenzhen, China



LAYOUT INSPECTION

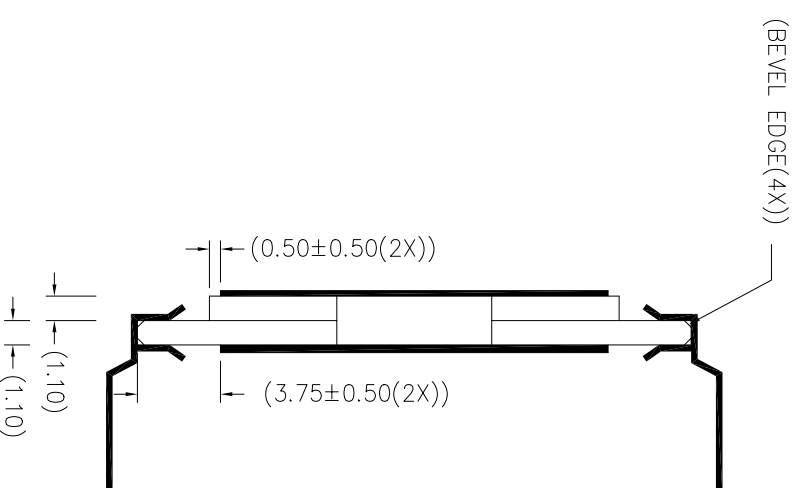
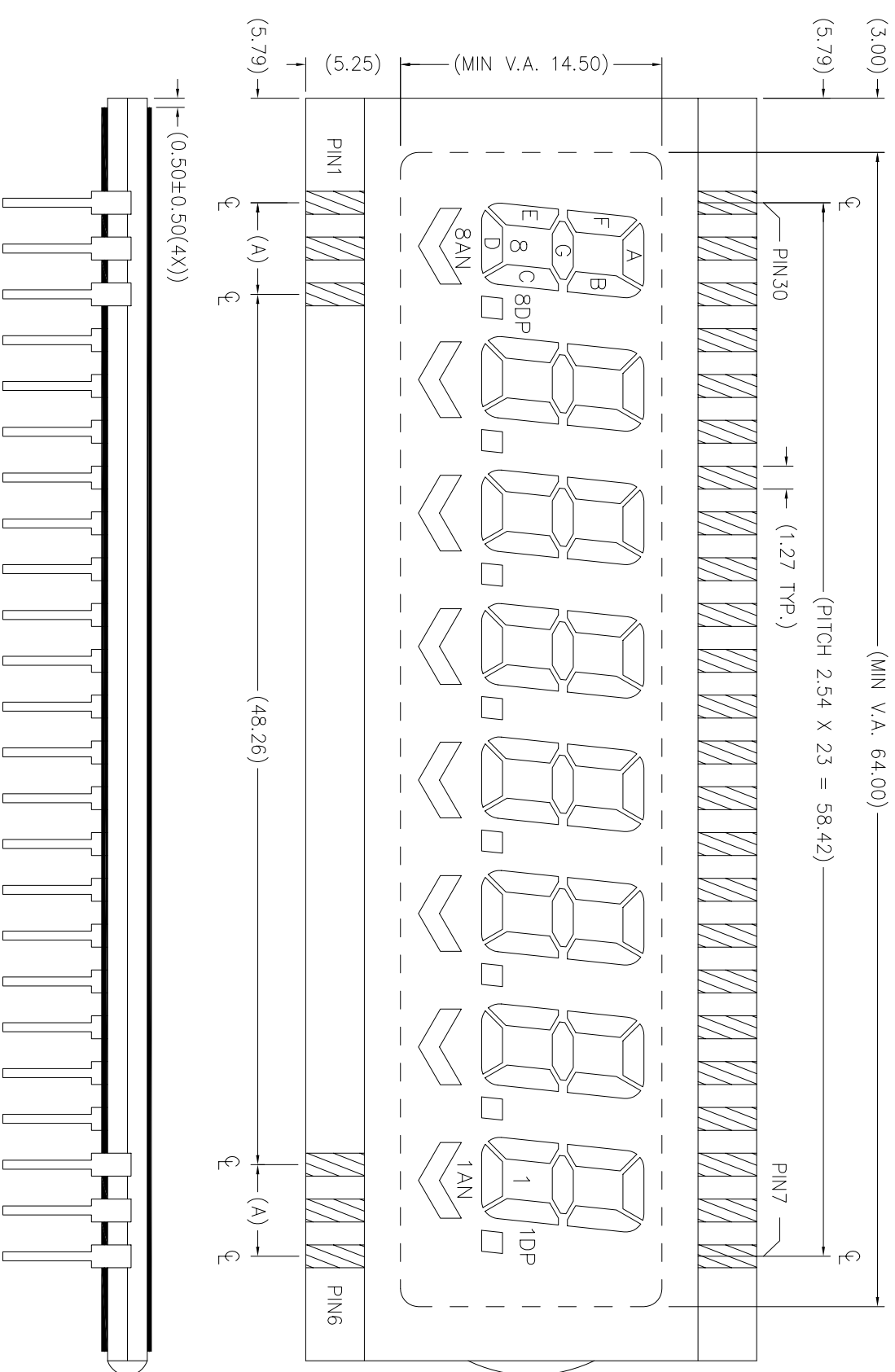
12



REMARKS: "◇" SPECIAL CHARACTERISTIC  
 "+" SAFETY CHARACTERISTIC  
 "()" REFERENCE ONLY  
 "▽" CUSTOMER CRITICAL DIMENSION

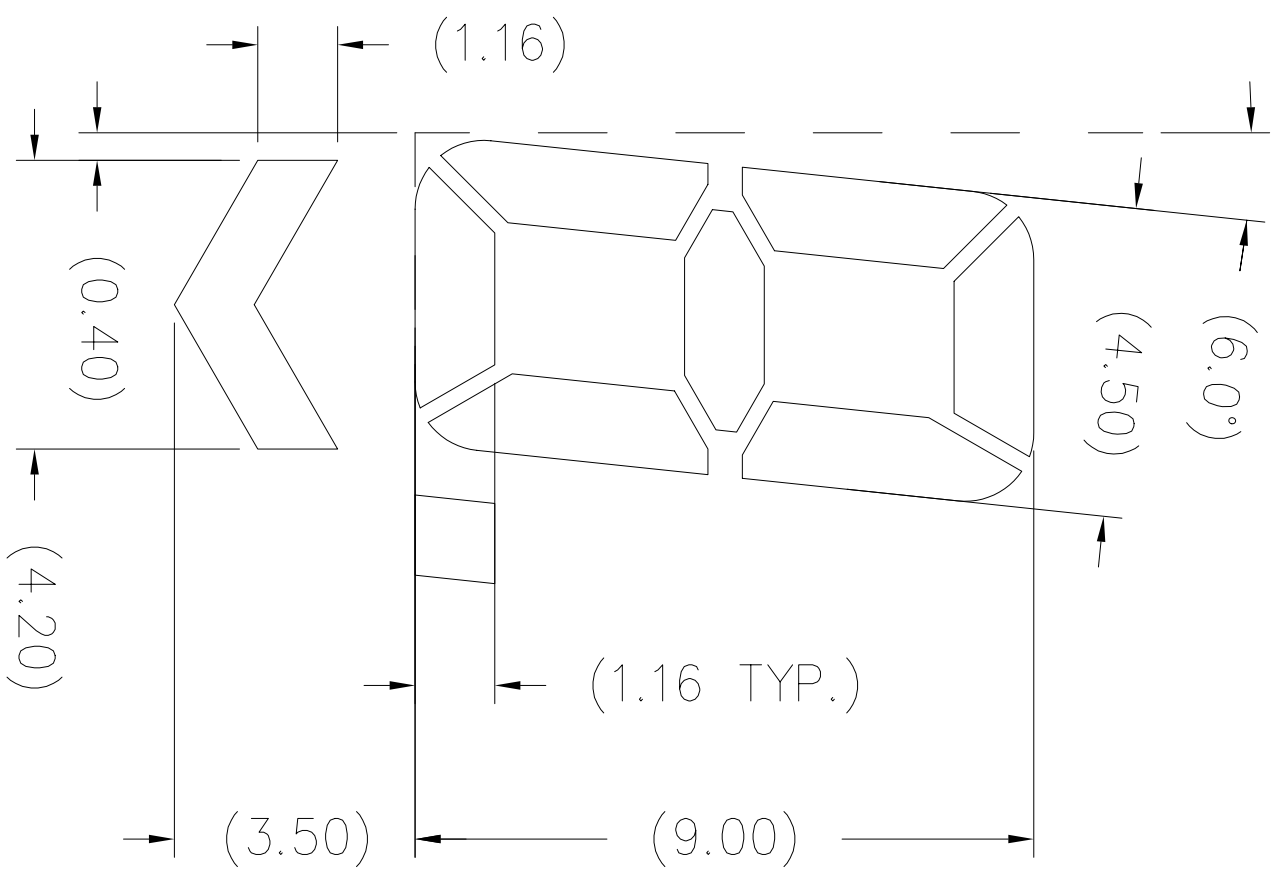
DWGNO. : <b>VIM-838-IP</b>		Dimension : mm		TDL : 4015 IF NOT SPECIFY		DO NOT SCALE DRAWING	
REV : <b>0</b>		Drawn by : QMZ		SIGN :		Date : 2003-06-13	
Checked by : YIN		SIGN :		SIGN :		Date :	
VARI TRONIX LTD.		3 <sup>rd</sup> ANGLE PROJECTION					

DWG.NO.: VM-838-DP (REV.0)



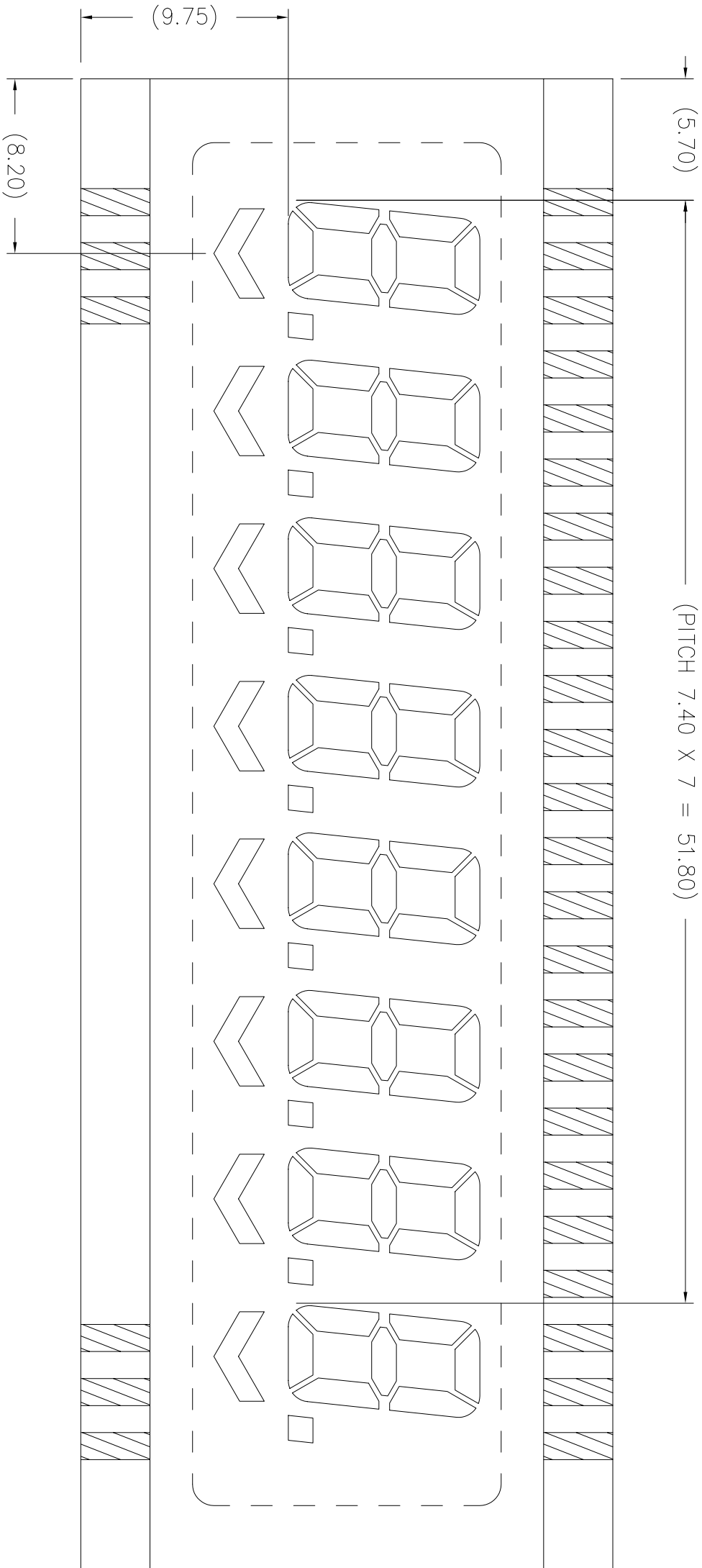
REMARKS : A = PITCH 2.54 X 2 = 5.08 & PAD WIDTH IS 1.27 mm

DWG. NO.: VIM-838-DP (REV.0)



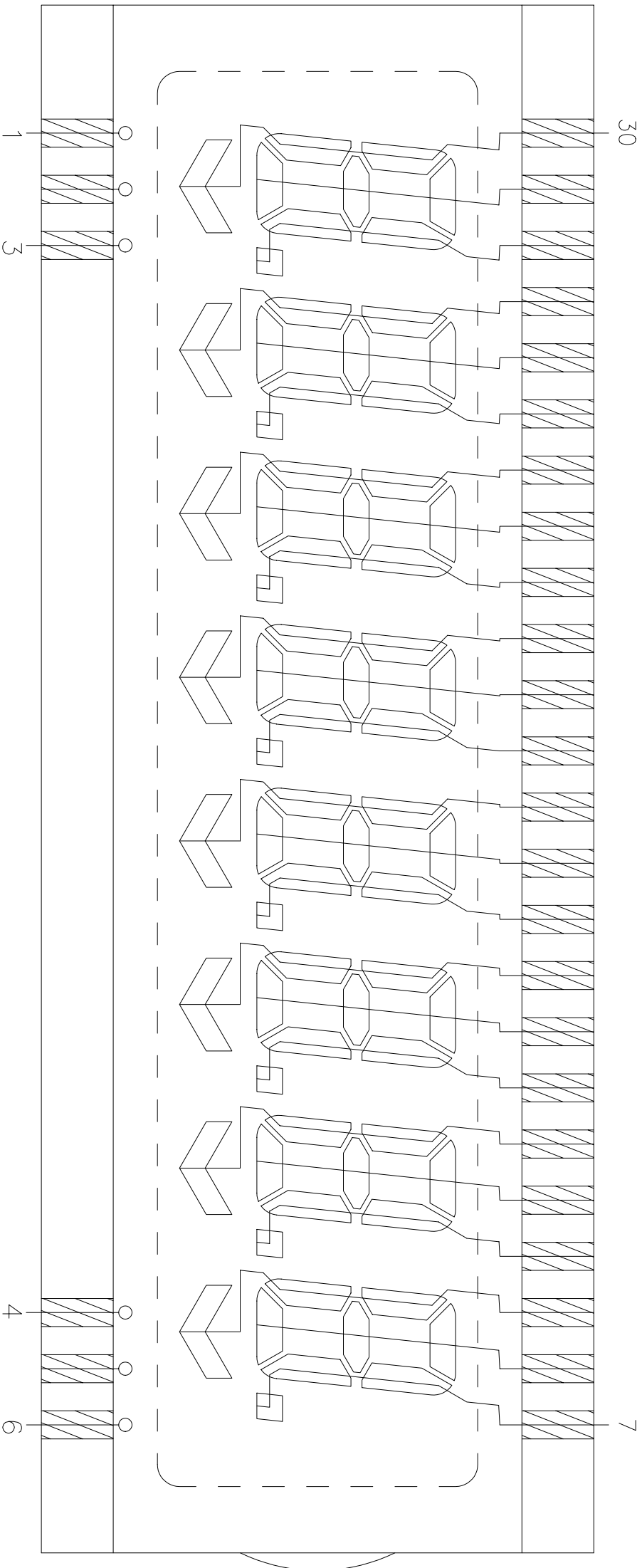
DIGIT 1-8

DWG.NO.: VM-838-DP (REV.0)



DWG.NO.: VIM-838-DP (REV.0)

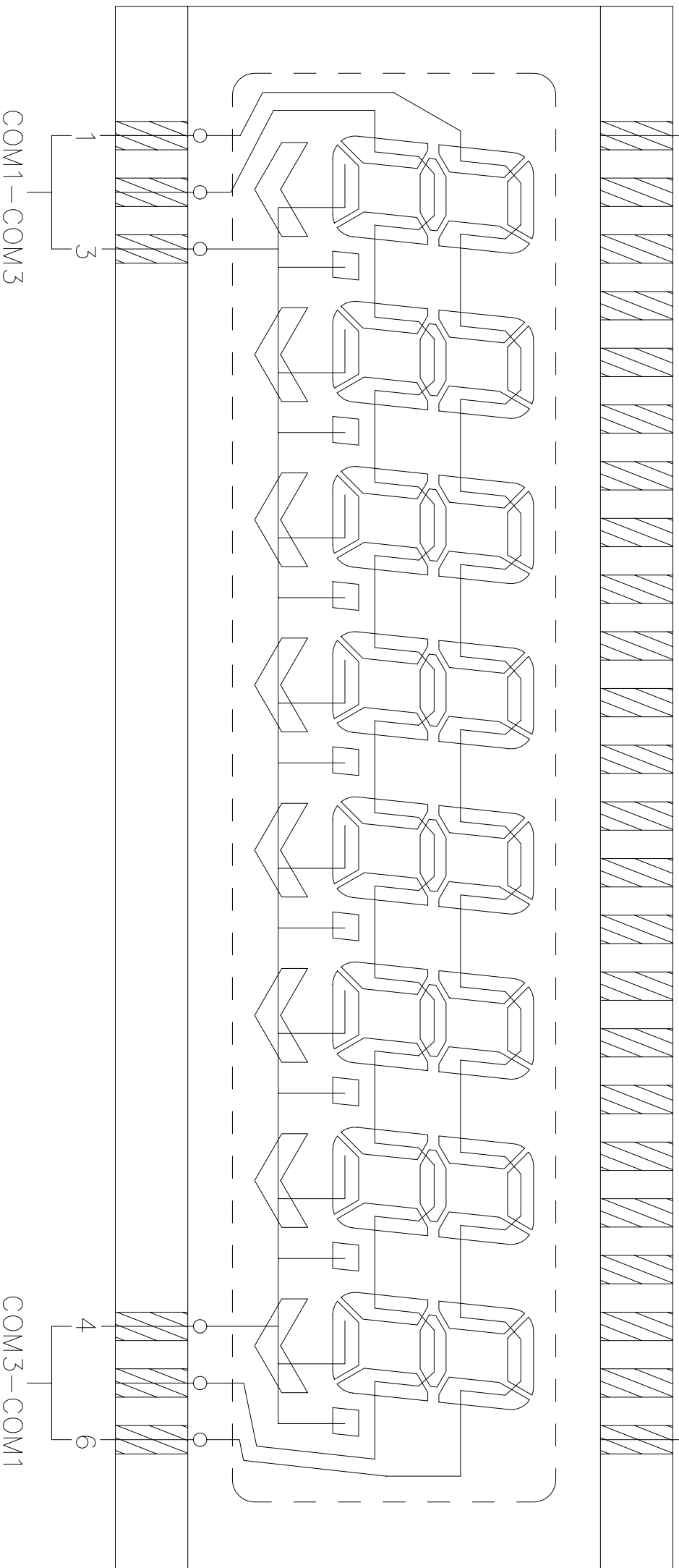
SEGMENT TRACKING



DWG.NO.: VM-838-DP (REV.0)  
COMMON TRACKING

30

7



REMARKS: SAME COMMON SHOULD BE CONNECTED TOGETHER ON P.C.B.

VARITRONIX LIMITED

**POLARIZER LOCATION DIAGRAM**

OPEN LAYER :

P

SCALE

Do not scale

Drawn by : QWZ

Date : 2003-06-13

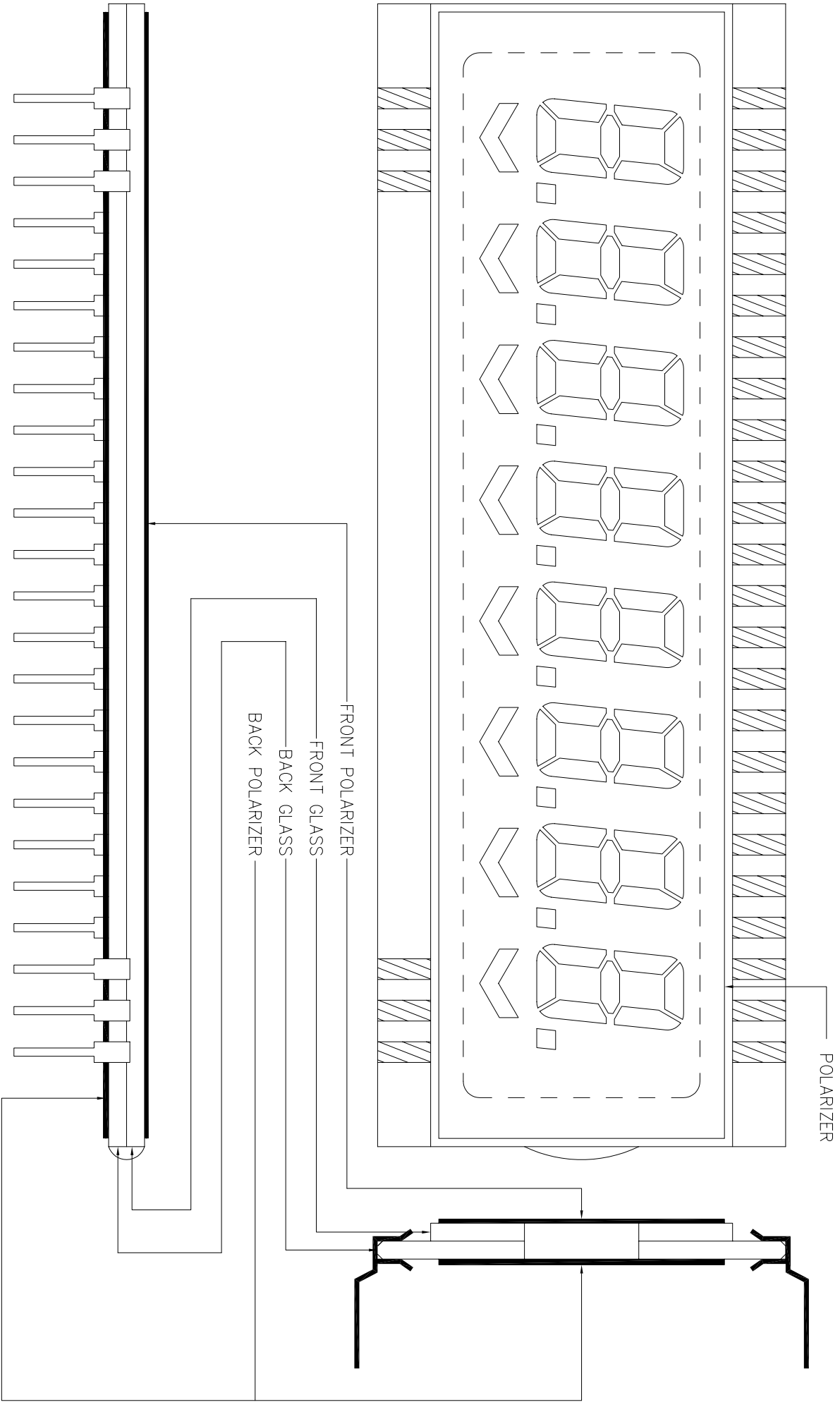
DOC. NO. : PL-VIM-838-DP-01

Checked by : INA

Date : 2003-06-16

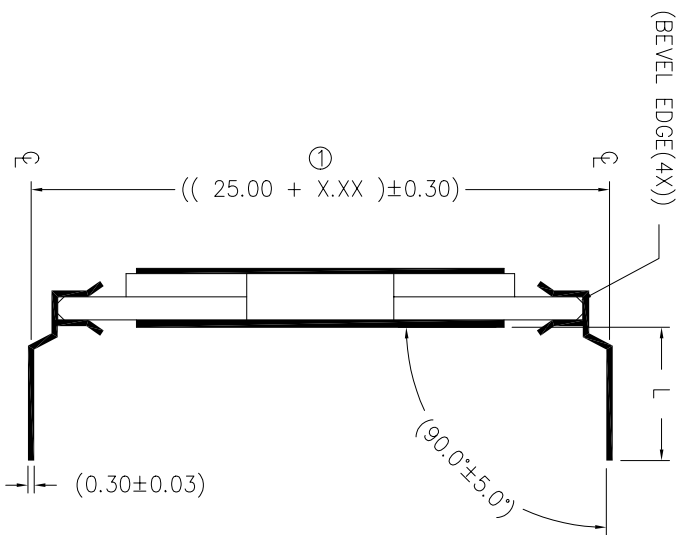
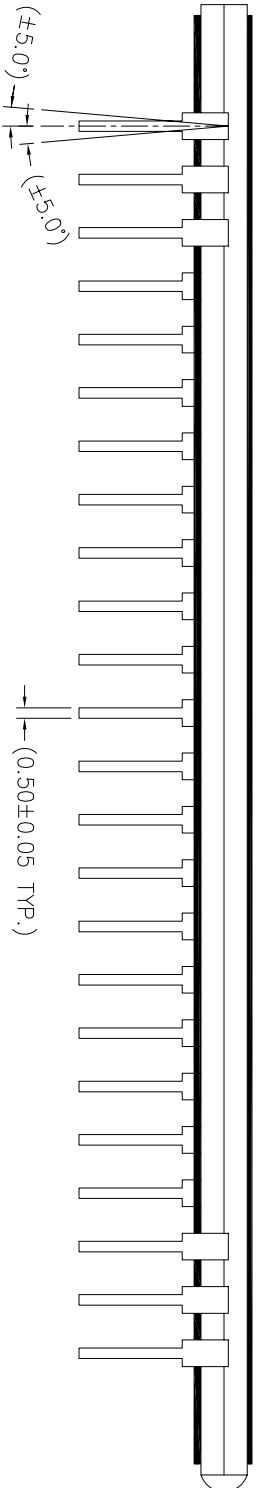
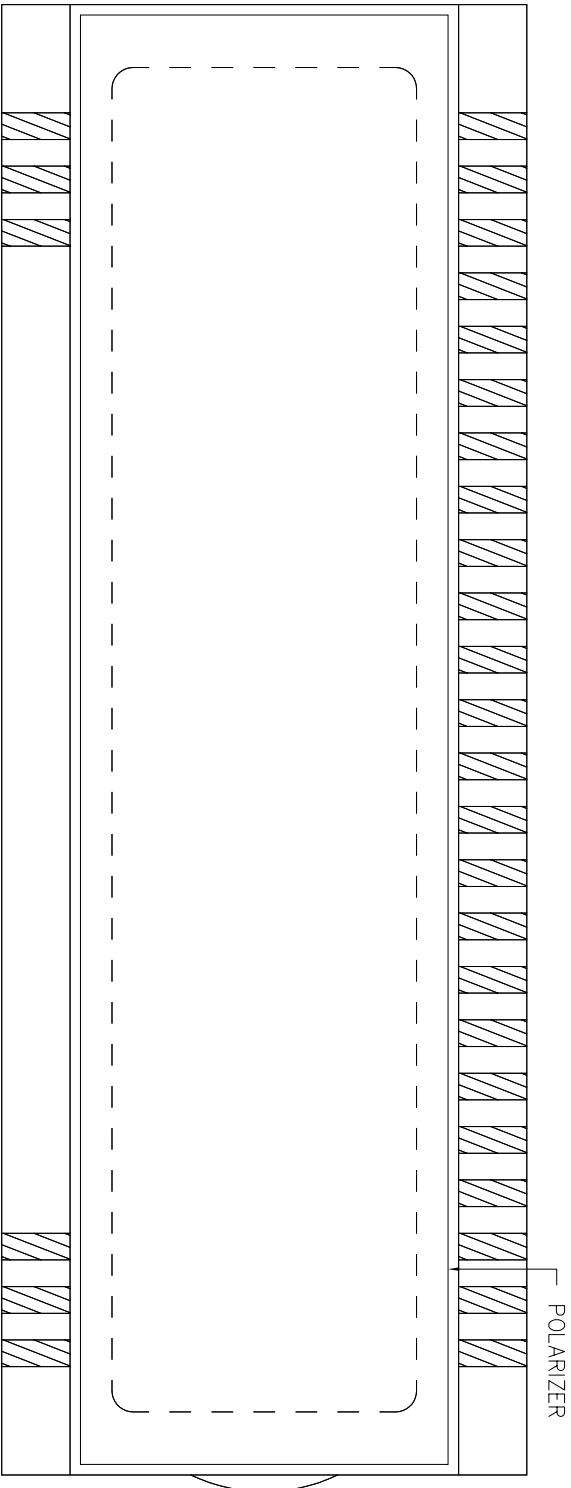
Approval by :

Date : 2003-06-16





VARITRONIX LIMITED		OPEN LAYER :	SCALE
<b>DIL-PIN DETAILS LOCATION DIAGRAM</b>		DP-L0	Do not scale
DOC. NO. :	DP-V/IM-838-DP-01	Drawn by : QMZ	Date : 2003-06-13
		Checked by : INA	Date : 2003-06-16
ALL DIMENSIONS IN	mm	Approval by :	Date : 2003-06-16



REMARKS: PIN LENGTH (L) REFER TO COVER PAGE

- ① ----- X.XX=2.54 (FOR PIN LENGTH  $\geq$  3.20 &  $\leq$  10.00mm)
- X.XX=1.75 (FOR PIN LENGTH  $>$  10.00 &  $\leq$  19.50mm)

PIN	COM1	COM2	COM3
1	COM1	----	----
2	----	COM2	----
3	----	----	COM3
4	----	----	COM3
5	----	COM2	----
6	COM1	----	----
7	1B	1C	1DP
8	1A	1G	1D
9	1F	1E	1AN
10	2B	2C	2DP
11	2A	2G	2D
12	2F	2E	2AN
13	3B	3C	3DP
14	3A	3G	3D
15	3F	3E	3AN
16	4B	4C	4DP
17	4A	4G	4D
18	4F	4E	4AN
19	5B	5C	5DP
20	5A	5G	5D
21	5F	5E	5AN
22	6B	6C	6DP
23	6A	6G	6D
24	6F	6E	6AN
25	7B	7C	7DP
26	7A	7G	7D
27	7F	7E	7AN
28	8B	8C	8DP
29	8A	8G	8D
30	8F	8E	8AN

REMARK: SAME COMMON SHOULD BE CONNECTED TOGETHER ON P.C.B.