



Chipsmall Limited consists of a professional team with an average of over 10 year of expertise in the distribution of electronic components. Based in Hongkong, we have already established firm and mutual-benefit business relationships with customers from,Europe,America and south Asia,supplying obsolete and hard-to-find components to meet their specific needs.

With the principle of "Quality Parts,Customers Priority,Honest Operation,and Considerate Service",our business mainly focus on the distribution of electronic components. Line cards we deal with include Microchip,ALPS,ROHM,Xilinx,Pulse,ON,Everlight and Freescale. Main products comprise IC,Modules,Potentiometer,IC Socket,Relay,Connector.Our parts cover such applications as commercial,industrial, and automotives areas.

We are looking forward to setting up business relationship with you and hope to provide you with the best service and solution. Let us make a better world for our industry!



Contact us

Tel: +86-755-8981 8866 Fax: +86-755-8427 6832

Email & Skype: info@chipsmall.com Web: www.chipsmall.com

Address: A1208, Overseas Decoration Building, #122 Zhenhua RD., Futian, Shenzhen, China



Features

- 433MHz FM Technology
- 1 – 4 Channels each 1000W Rated
- Upto 150 metres Range
- 12-30Vdc / 230Vac supply
- Waterproof (IP68)
- High Security RF Protocol
- 4 Relays 5A @ 230Vac
- Outputs Momentary or Latching
- Any Switch Map to Any Relay Output
- Systems supplied 'ready to Go'
- EMC / FCC Compliant for Europe / USA



Applications

- General Purpose Remote Switching
- Garage Doors
- Electric Gates, Shutters
- All known Lighting types (LED, fluorescent, halogen, tungsten, xenon; basically all lighting types).

Description

Housed in a rugged IP68 weatherproof enclosure, The VIPER system is ideally suited to any outside Remote switch requirement.

Each receiver has 4 relays, using the 'easy-learn' process each relay can be controlled from any switch on any transmitter.

Installation is by screw terminals to the power supply, and the output relay contacts. The output relays are activated by the button press on the transmitter encoder.

VIPER Remote Control System



Ordering Information

Systems Operating from 12-30Vdc



| Part Number | Description | Receiver Power Supply | Range** (Metres) |
|-------------|------------------|-----------------------|------------------|
| VIPER-S1 | System 1 channel | 12-30Vdc | 150 |
| VIPER-S2 | System 2 channel | 12-30Vdc | 150 |
| VIPER-S4 | System 4 channel | 12-30Vdc | 150 |

Systems Operating from 230Vac

| Part Number | Description | Receiver Power Supply | Range** (Metres) |
|-------------|------------------|-----------------------|------------------|
| VIPER-S1M | System 1 channel | 230Vac | 150 |
| VIPER-S2M | System 2 channel | 230Vac | 150 |

** Range stated is optimum, direct line of sight. In worst conditions this can be reduced by over 50%

Additional Transmitters



Transmitters ship with;

Wall Mounting Cradle

Lanyard

| Part Number | Description |
|-------------------|---|
| FIREFLY-TX1 | Transmitter 1 switch |
| FIREFLY-TX2 | Transmitter 2 switch |
| FIREFLY-TX4 | Transmitter 4 switch |
| FIREFLY-TX8 | Transmitter 8 switch |
| FIREFLY-TX16 | Transmitter 16 switch (8Sw + Shift Key) |
| FIREFLY -TX-IPKIT | 'O' Ring, Seals Transmitter to IP68 |

Custom Version

To create a custom version requires just a Sticker!
Please contact Sales for further info.

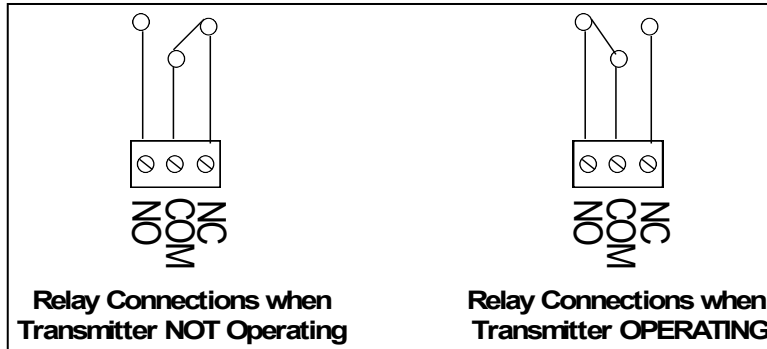


VIPER Remote Control System



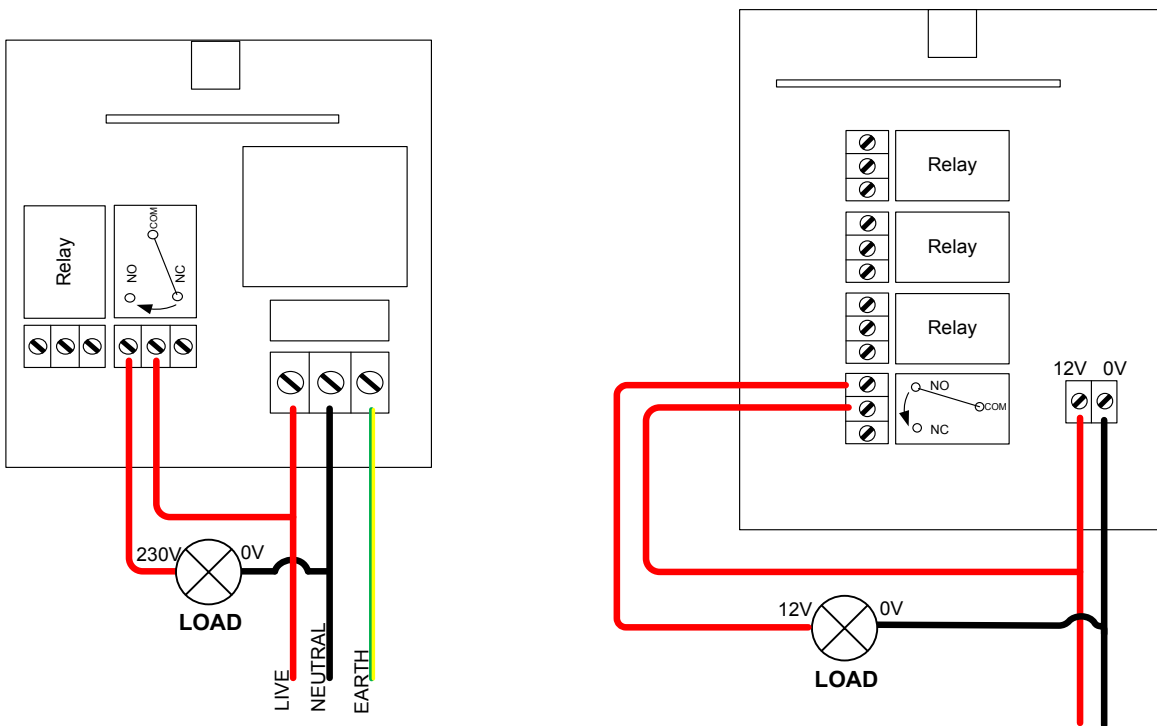
Data Outputs

Each output relay provides an isolated switch. Connections are Common (COM), Normally Open (NO) and Normally Closed (NC).



Installation

Below is a simple example showing one possible way to wire a relay in order to give switched power to an external load: When the relay is energised the 'COM' connects to 'NO' and power is applied to the Load.



230V Systems
230V Switched Output Example –
Only to be used by a competent
person

12 - 32V Systems
12V Switched Output Example –
Only to be used by a competent
person

Pairing a Transmitter to a Receiver

Each transmitter has a unique identity. Each time a transmitter Switch is operated, it emits a secure RF signal. The Receiver can learn this signal and allocate to any of its outputs.

The only limitation is that each receiver has a maximum memory for up to 40 pairings, these can be from the same or any number of transmitters.

Hint: the same transmitter may be taught to different receivers to create 'master keys'.

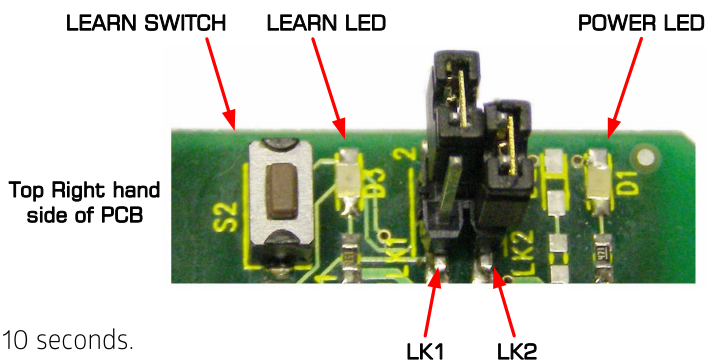
VIPER-S1 / VIPER-S2 / VIPER-S4 (12-30Vdc Receivers)

To Learn a New Transmitter switch follow this procedure

Any transmitter button can be learnt to one or many of the receiver output relays.

Each button must be learnt to each relay individually by following this procedure:

1. Select the receiver output relay to learn to:
 2. Briefly press the receiver Learn switch (S2) once
 3. The Learn LED will flash once to indicate output relay 1 is selected
 4. After the LED stops flashing, press the Learn switch again to select the next relay channel
 5. Repeat step 2 until the required output relay is selected.
6. Press the button on the transmitter you want to learn to the relay output.
7. The Learn LED will then illuminate, press the same transmitter button again.
8. The Learn LED will then flash to indicate learning is complete.
9. The transmitter button will now operate the relay.



Erasing Receivers Memory

1. Press and hold the receiver Learn Switch for approx 10 seconds.
2. When the Learn LED turns OFF all memory is erased

NOTE: You cannot erase individual Tx encoders

Configuring Receiver Outputs

The jumper links configure the outputs to be Momentary or Latching.

The jumper links are made / removed by the small link 'cap' placed over the pin header.

| Link Positions | | Relay Outputs | | | |
|----------------|--------|---------------|-------|-------|-------|
| LK1 | LK2 | RLY 1 | RLY 2 | RLY 3 | RLY 4 |
| Closed | Closed | Mom | Mom | Mom | Mom |
| Closed | Open | Mom | Mom | Latch | Latch |
| Open | Closed | Mom | Latch | Latch | Latch |
| Open | Open | Latch | Latch | Latch | Latch |

(The configuration shown in the picture above represents the third row of the table)

VIPER-S1M / VIPER S2M (230Vac Powered Receivers)

Please Note: During Learn and Erase the relays operate at high speed. They should be isolated from sensitive equipment during this process.

To Pair a Transmitter button to receiver Output Relay #1

1. Apply power the receiver and wait 10secs for the unit to enter 'normal operation' mode.
2. Switch the receiver unit OFF and then ON again in ~1sec intervals FOUR times finally leaving the unit powered.
3. After 5 seconds the receiver emits a single 'buzz' The unit is now in 'learn' Mode
5. Press the chosen transmitter button.
6. The receiver will acknowledge by sounding the a single 'buzz'
7. Press the same transmitter button again, to confirm OK. The receiver will "buz" again to confirm.
8. Learn Process complete. After 10 seconds the unit will return to 'normal operation' mode.

To Pair a Transmitter button to receiver Output Relay #2

1. Apply power the receiver and wait 10secs for the unit to enter 'normal operation' mode.
2. Switch the receiver unit OFF and then ON again in ~1sec intervals SIX times finally leaving the unit powered.
3. After 5 seconds the receiver emits a double 'buzz' The unit is now in 'learn' Mode
5. Press the chosen transmitter button.
6. The receiver will acknowledge by sounding the a double 'buzz'
7. Press the same transmitter button again, to confirm OK. The receiver will double "buzz" again to confirm.
8. Learn Process complete. After 10 seconds the unit will return to 'normal operation' mode.

Erasing Receivers Memory

1. Power the receiver unit up and wait 10 seconds for the unit to enter 'normal operation' mode.
2. Switch the unit off and then on again at ~1 second intervals TEN times, leaving the unit powered.
3. Wait 5 seconds until a 'clicking' sound is heard for a period of 10 seconds.
4. Wait 10 seconds for the receiver unit to return to 'normal' mode
5. The unit has now erased all encoder data.

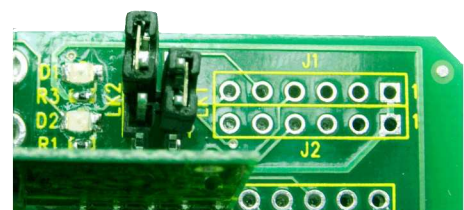
NOTE: You cannot erase individual Tx encoders

Configuring Receiver Outputs

The jumper links configure the outputs to be Momentary or Latching.

The jumper links are made/removed by the small link 'cap' placed over the pin header.

| Link Positions - Relay Outputs | | | |
|--------------------------------|----------|--------|----------|
| LK1 | Relay #1 | LK2 | Relay #2 |
| Open | Latch | Open | Latch |
| Closed | Mom | Closed | Mom |



(the above image shows, RLY1 Momentary, RLY2 Latched)

VIPER Remote Control System



Technical Specifications

Transmitters: FIREFLY-TXn

Enclosure Rating: Standard IPx8

Battery Type: CR2032 (supplied)

Dimensions: 90 x 54 x 27 mm

Changing the Battery: Remove the six fixing screws, remove battery and replace note polarity

| Electrical Characteristics | Min | Typical | Max | Units |
|---------------------------------|--------|---------|--------|-------|
| Supply Voltage | | 3V | | V |
| Supply Current | | | | mA |
| Frequency: FireFLY: Wideband | 432.90 | 433.920 | 434.10 | MHz |
| RF Output Power (ERP) @ 433 MHz | - | 3 | 10 | mW |

Receiver Decoder

Enclosure Rating IP68

Dimensions 130 x 112 x 42 mm (not including antenna)

Storage Temperature: -10 to +70° Celsius.

Operating Temperature: -10 to +50° Celsius.

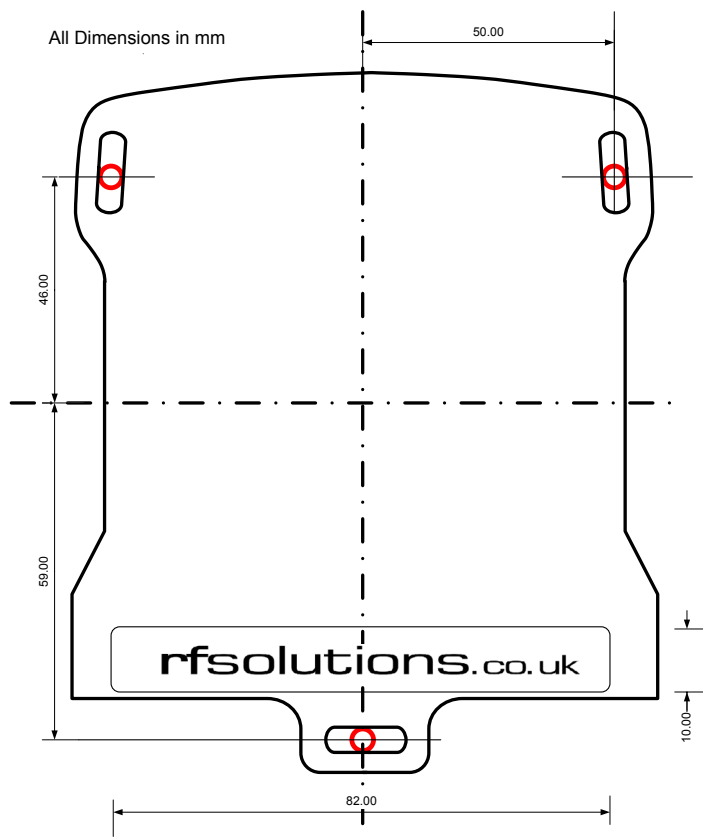
| ELECTRICAL CHARACTERISTICS | MIN | TYPICAL | MAX | DIMENSION |
|--|------|---------|-----|-----------|
| Supply Voltage for +12 v | 10.5 | | 30 | Vdc |
| Relay Rating* (230Vac) RLY1-4 | | 5 | 12 | A |
| Supply Current : Quiescent | | 10 | | |
| All relays operating* | | 140 | | mA |
| Time delay from Tx on Switch to Rx Relay operation | | | 100 | mS |
| Time delay from Tx sw relax to Rx Relay release | | | 300 | MS |

*The relay contacts in this unit are for functional use only and must not be used for isolation purposes

VIPER Remote Control System



Mechanical Dimensions



RF Solutions Ltd. Recycling Notice

Meets the following EC Directives:

DO NOT



Discard with normal waste, please recycle.

ROHS Directive 2002/95/EC



Specifies certain limits for hazardous substances.

WEEE Directive 2002/96/EC

Waste electrical & electronic equipment. This product must be disposed of through a licensed WEEE collection point.

RF Solutions Ltd., fulfills its WEEE obligations by membership of an approved compliance scheme.

Disclaimer:

Whilst the information in this document is believed to be correct at the time of issue, RF Solutions Ltd does not accept any liability whatsoever for its accuracy, adequacy or completeness. No express or implied warranty or representation is given relating to the information contained in this document. RF Solutions Ltd reserves the right to make changes and improvements to the product(s) described herein without notice. Buyers and other users should determine for themselves the suitability of any such information or products for their own particular requirements or specification(s). RF Solutions Ltd shall not be liable for any loss or damage caused as a result of user's own determination of how to deploy or use RF Solutions Ltd's products. Use of RF Solutions Ltd products or components in life support and/or safety applications is not authorised except with express written approval. No licences are created, implicitly or otherwise, under any of RF Solutions Ltd's intellectual property rights. Liability for loss or damage resulting or caused by reliance on the information contained herein or from the use of the product (including liability resulting from negligence or where RF Solutions Ltd was aware of the possibility of such loss or damage arising) is excluded. This will not operate to limit or restrict QuasarUK Ltd's liability for death or personal injury resulting from its negligence.

www.rfsolutions.co.uk

RF Solutions Ltd

William Alexander House, William Way, Burgess Hill, West Sussex, RH15 9AG
Sales: +44(0)1444 227 910 Tech Support: +44(0)1444 227909

Waste Batteries and Accumulators

Directive 2006/66/EC

Where batteries are fitted, before recycling the product, the batteries must be removed and disposed of at a licensed collection point.

Environment Agency producer registration number:

WEE/JB0104WV.

