



Chipsmall Limited consists of a professional team with an average of over 10 year of expertise in the distribution of electronic components. Based in Hongkong, we have already established firm and mutual-benefit business relationships with customers from,Europe,America and south Asia,supplying obsolete and hard-to-find components to meet their specific needs.

With the principle of “Quality Parts,Customers Priority,Honest Operation,and Considerate Service”,our business mainly focus on the distribution of electronic components. Line cards we deal with include Microchip,ALPS,ROHM,Xilinx,Pulse,ON,Everlight and Freescale. Main products comprise IC,Modules,Potentiometer,IC Socket,Relay,Connector.Our parts cover such applications as commercial,industrial, and automotives areas.

We are looking forward to setting up business relationship with you and hope to provide you with the best service and solution. Let us make a better world for our industry!



## Contact us

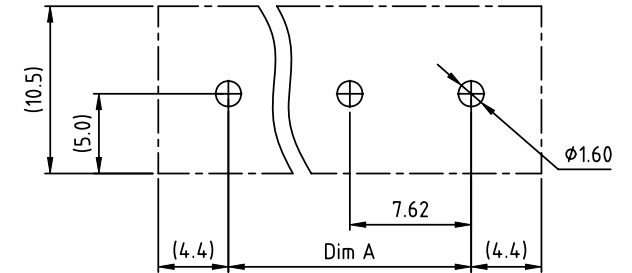
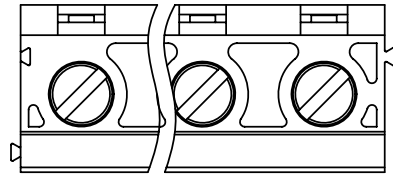
Tel: +86-755-8981 8866 Fax: +86-755-8427 6832

Email & Skype: info@chipsmall.com Web: www.chipsmall.com

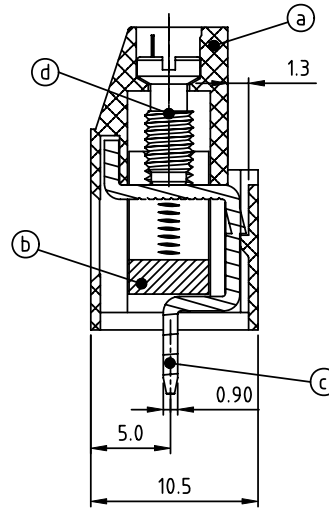
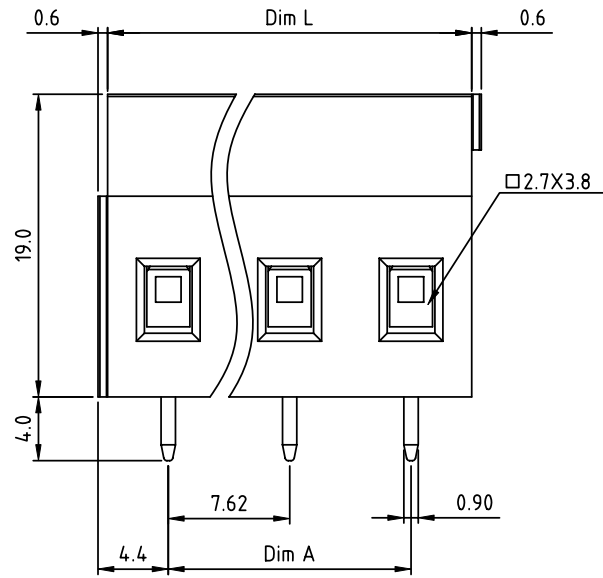
Address: A1208, Overseas Decoration Building, #122 Zhenhua RD., Futian, Shenzhen, China



PRODUCT NUMBER	PITCH
VJxx61x200J0G	7.62 mm



RECOMMENDED P.C.B LAYOUT  
TOP VIEW



Material:

- Item (a) Terminal housing: Thermoplastic (UL 94V-0)
- Item (b) Clamp: Brass Ni plated
- Item (c) Solder pin: Brass Tin plated
- Item (d) Terminal screw: Steel Zinc plating"-slot type

Electrical cULus / VDE

- Voltage rating : 300VAC / 750V
- Current rating : 20A / 24A
- Wire range : 0.2-2.5mm<sup>2</sup>
- Solid wire(AWG) : 12-30
- Stranded wire(AWG) : 12-30
- Torque : 3.5 Lb-In / 0.5 N.m
- Screw: M3
- Wire strip length: 6-7mm
- Withstanding Voltage: 1.6KV / 3KV
- Operating temperature: -40°C to +115°C
- Soldering temperature: 260°C±5°C/5 Sec
- Safety Approval:

PART NO.: VJ xx 6 1 x 2 00J0 G

DIMENSION

Dim L	N×7.62
Dim A	(N-1)×7.62

N=Number of poles

Poles	Tolerance
2p-6p	±0.20
7p-12p	±0.30
13p-16p	±0.40

End stackable	No. of poles	Color	RoHS compliant (lead<4%) In copper Alloy
0	2	Black (RAL9005)	
02	2	Red (RAL3001/D)	
03	3	Orange(RAL2011/P)	
...	...	4 Yellow(RAL1018/A)	
...	...	5 Green(RAL6018/T)	
16	16	6 Blue (RAL5015/A)	
		8 Grey(RAL7035/D)	
		9 White(RAL1102)	
		C Green(RAL6018/U)	

mat'l. code		surface ASME Y14.5	tolerance ASME Y14.5	projection	product family
ltr ecn no dr date		tolerances unless otherwise specified			TERMINAL BLOCK
		angles	X.±0.5	MM	title
		fil	X.X±0.3		TERMINAL BLOCK
		X*±1*	X.XX±0.1	scale	RISING CLAMP, 180D WIRE INLET, END STACKABLE
		dr	EVIN ZHONG 040914		dwg no
		enr	EVIN ZHONG 040914		sheet 1 of 1 size
		chr	HANKE FENG 040914		VJxx61x200J0G
		appd	SHI JUN 040914		A4
sheet index	revision sheet	A	1		type CUSTOMER Drawing