



Chipsmall Limited consists of a professional team with an average of over 10 year of expertise in the distribution of electronic components. Based in Hongkong, we have already established firm and mutual-benefit business relationships with customers from,Europe,America and south Asia,supplying obsolete and hard-to-find components to meet their specific needs.

With the principle of “Quality Parts,Customers Priority,Honest Operation,and Considerate Service”,our business mainly focus on the distribution of electronic components. Line cards we deal with include Microchip,ALPS,ROHM,Xilinx,Pulse,ON,Everlight and Freescale. Main products comprise IC,Modules,Potentiometer,IC Socket,Relay,Connector.Our parts cover such applications as commercial,industrial, and automotives areas.

We are looking forward to setting up business relationship with you and hope to provide you with the best service and solution. Let us make a better world for our industry!



## Contact us

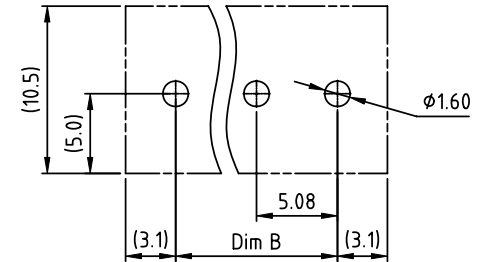
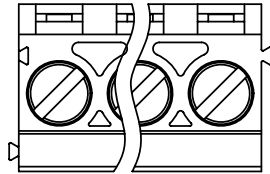
Tel: +86-755-8981 8866 Fax: +86-755-8427 6832

Email & Skype: info@chipsmall.com Web: www.chipsmall.com

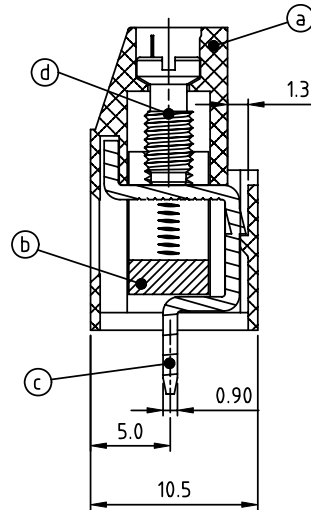
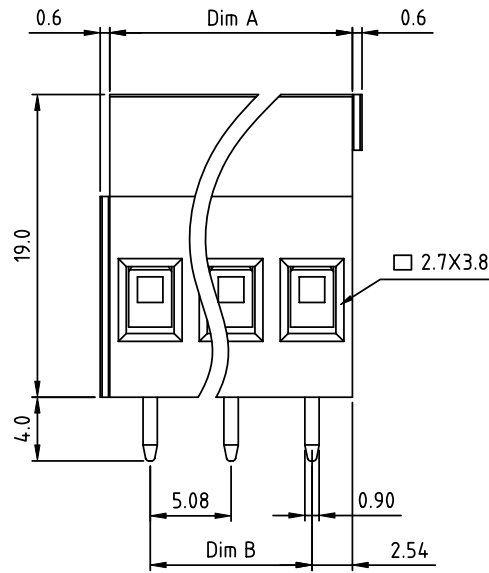
Address: A1208, Overseas Decoration Building, #122 Zhenhua RD., Futian, Shenzhen, China



PRODUCT NUMBER	PITCH
VJxx21x200J0G	5.08mm



RECOMMENDED P.C.B LAYOUT  
TOP VIEW



Material:

- Item (a) Terminal housing: Thermoplastic (UL 94V-0)
- Item (b) Clamp: Brass Ni plated
- Item (c) Solder pin: Brass Tin plated
- Item (d) Terminal screw: Steel Zinc plating"-slot type

Electrical cULus / VDE

- Voltage rating: 300VAC / 450V
- Current rating: 20A / 24A
- Wire range: 0.2-2.5mm<sup>2</sup>
- Solid wire(AWG): 12-30
- Stranded wire(AWG): 12-30
- Torque: 3.5Lb-in / 0.5 N.m
- Screw: M3
- Wire strip length: 6-7mm
- Withstanding Voltage: 1.6KV / 2.5KV
- Operating temperature: -40°C to +115°C
- Soldering temperature: 260°C±5°C/5 Sec
- Safety Approval:

PART NO.: VJ xx 2 1 x 2 00J0 G

Dimension A&B

DIM A	N×5.08
DIM B	(N-1)×5.08

N=Number of poles

Poles	DimA&B Tolerance
2P-6P	±0.15
7P-12P	±0.25
13P-18P	±0.35
19P-24P	±0.40

End stackable	No. of poles	Color	RoHS compliant (lead<4%) In copper Alloy
0	2	Black (RAL9005)	
02	2 poles	Red (RAL3001/D)	
03	3 poles	Orange(RAL2011/P)	
...	...	4 Yellow(RAL1018/A)	
...	...	5 Green(RAL6018/T)	
24	24 poles	6 Blue (RAL5015/A)	
		8 Grey(RAL7035/D)	
		9 White(RAL1102)	
		C Green(RAL6018/U)	

mat'l. code				surface ASME Y14.5 ✓		tolerance ASME Y14.5		projection		product family	
ltr ecn no dr date				tolerances unless otherwise specified		X.±0.5		MM		TERMINAL BLOCK	
				angles		X.X±0.3				title	
				X*±1*		X.XX±0.1		scale		TERMINAL BLOCK	
				dr		EVIN ZHONG 040914				RISING CLAMP,180D WIRE INLET,END STACKABLE	
				enr		EVIN ZHONG 040914				dwg no	
				chr		HANKE FENG 040914				sheet 1 of 1 size	
				appd		SHI JUN 040914				VJxx21x200J0G A4	
										type	
										CUSTOMER Drawing	
sheet index		revision sheet		A							
		1									