



Chipsmall Limited consists of a professional team with an average of over 10 year of expertise in the distribution of electronic components. Based in Hongkong, we have already established firm and mutual-benefit business relationships with customers from,Europe,America and south Asia,supplying obsolete and hard-to-find components to meet their specific needs.

With the principle of “Quality Parts,Customers Priority,Honest Operation,and Considerate Service”,our business mainly focus on the distribution of electronic components. Line cards we deal with include Microchip,ALPS,ROHM,Xilinx,Pulse,ON,Everlight and Freescale. Main products comprise IC,Modules,Potentiometer,IC Socket,Relay,Connector.Our parts cover such applications as commercial,industrial, and automotives areas.

We are looking forward to setting up business relationship with you and hope to provide you with the best service and solution. Let us make a better world for our industry!



## Contact us

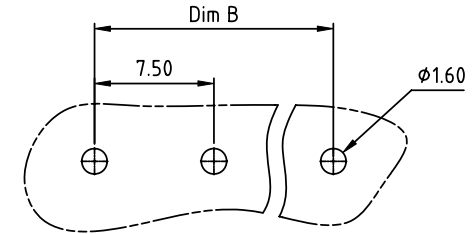
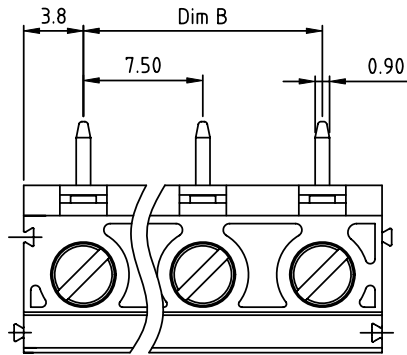
Tel: +86-755-8981 8866 Fax: +86-755-8427 6832

Email & Skype: info@chipsmall.com Web: www.chipsmall.com

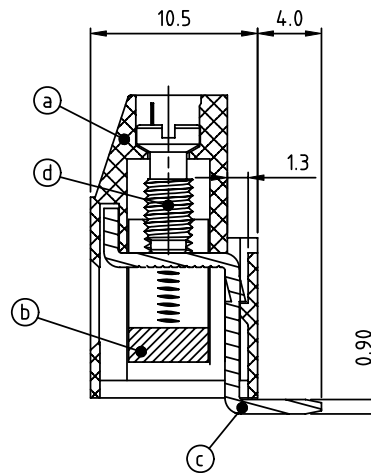
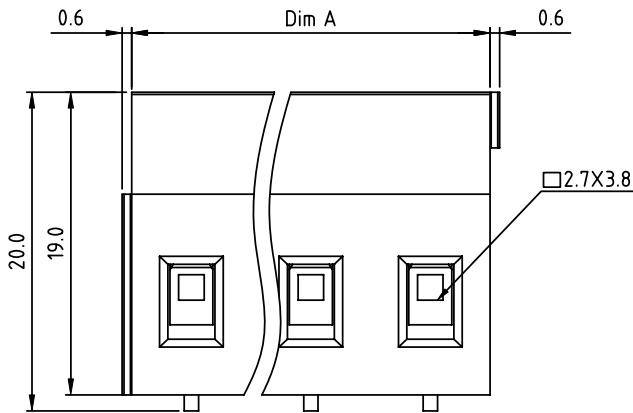
Address: A1208, Overseas Decoration Building, #122 Zhenhua RD., Futian, Shenzhen, China



PRODUCT NUMBER	PITCH
VJxx41x000J0G	7.50mm



RECOMMENDED P.C.B LAYOUT  
TOP VIEW



Material:

- Item①Terminal housing:Thermoplastic (UL 94V-0)
- Item②Clamp: Brass Ni plated
- Item③Solder pin:Brass Tin plated
- Item④Terminal screw: Steel Zinc plating"- "slot type

Electrical cULus / VDE

- Voltage rating : 300VAC / 750V
- Current rating : 20A / 24A
- Wire range : 0.2-2.5mm<sup>2</sup>
- Solid wire(AWG) : 12-30
- Stranded wire(AWG) : 12-30
- Torque : 3.5 Lb-In / 0.5 N.m
- Screw: M3
- Wire strip length: 6-7mm
- Withstanding Voltage: 1.6KV / 3KV
- Operating temperature: -40°C to +115°C
- Soldering temperature: 260°C±5°C/5 Sec
- Safety Approval:

PART NO.: VJ xx 4 1 x 0 00J0 G

Dimension A&B

DIM A	N×7.5
DIM B	(N-1)×7.5

N=Number of poles

Poles	Tolerance
2p-6p	±0.20
7p-12p	±0.30
13p-16p	±0.40

	Color	RoHS compliant (lead<4%) In copper Alloy
End stackable	0 Black (RAL9005)	
No. of poles	2 Red (RAL3001/D)	
02 2 poles	3 Orange(RAL2011/P)	
03 3 poles	4 Yellow(RAL1018/A)	
...	5 Green(RAL6018/T)	
16 16 poles	6 Blue (RAL5015/A)	
	8 Grey(RAL7035/D)	
	9 White(RAL1102)	
	C Green(RAL6018/U)	

mat'l. code		surface ASME Y14.5	tolerance ASME Y14.5	projection	product family
ltr	ecn no	dr	date		TERMINAL BLOCK
				tolerances unless otherwise specified	title
				angles	TERMINAL BLOCK
				MM	scale
				X.±0.5	RSISING CLAMP,90D WIRE INLET,END STACKABLE
				X.X±0.3	dwg no
				X.XX±0.1	sheet 1 of 1 size
				dr	VJxx41x000J0G
				enr	A4
				chr	type
				appd	CUSTOMER Drawing
sheet index	revision	A			
	sheet	1			