



Chipsmall Limited consists of a professional team with an average of over 10 year of expertise in the distribution of electronic components. Based in Hongkong, we have already established firm and mutual-benefit business relationships with customers from,Europe,America and south Asia,supplying obsolete and hard-to-find components to meet their specific needs.

With the principle of “Quality Parts,Customers Priority,Honest Operation,and Considerate Service”,our business mainly focus on the distribution of electronic components. Line cards we deal with include Microchip,ALPS,ROHM,Xilinx,Pulse,ON,Everlight and Freescale. Main products comprise IC,Modules,Potentiometer,IC Socket,Relay,Connector.Our parts cover such applications as commercial,industrial, and automotives areas.

We are looking forward to setting up business relationship with you and hope to provide you with the best service and solution. Let us make a better world for our industry!



## Contact us

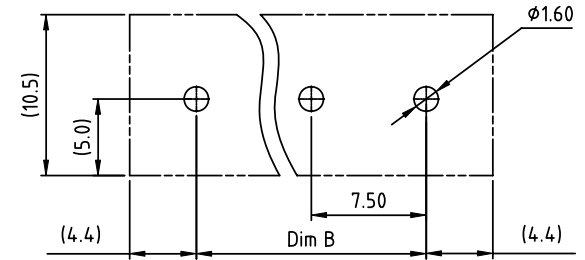
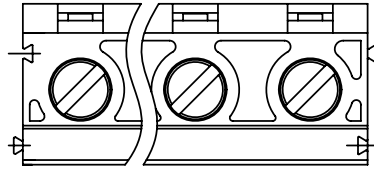
Tel: +86-755-8981 8866 Fax: +86-755-8427 6832

Email & Skype: info@chipsmall.com Web: www.chipsmall.com

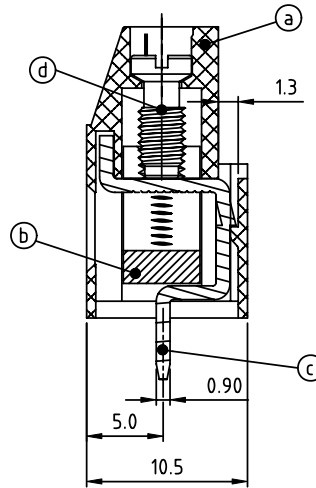
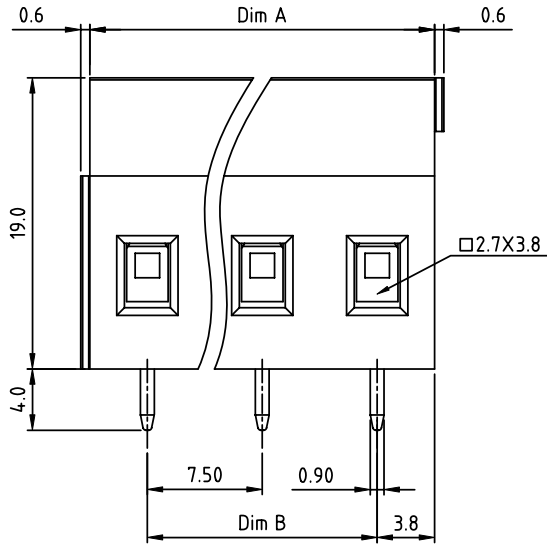
Address: A1208, Overseas Decoration Building, #122 Zhenhua RD., Futian, Shenzhen, China



PRODUCT NUMBER	PITCH
VJxx41x200J0G	7.50 mm



RECOMMENDED P.C.B LAYOUT  
TOP VIEW



Material:

- Item (a) Terminal housing: Thermoplastic (UL 94V-0)
- Item (b) Clamp: Brass Ni plated
- Item (c) Solder pin: Brass Tin plated
- Item (d) Terminal screw: Steel Zinc plating"-slot type

Electrical cULus / VDE

- Voltage rating : 300VAC / 750V
- Current rating : 20A / 24A
- Wire range : 0.2-2.5mm<sup>2</sup>
- Solid wire(AWG) : 12-30
- Stranded wire(AWG) : 12-30
- Torque : 3.5 Lb-In / 0.5 N.m
- Screw: M3
- Wire strip length: 6-7mm
- Withstanding Voltage: 1.6KV / 3KV
- Operating temperature: -40°C to +115°C
- Soldering temperature: 260°C±5°C/5 Sec
- Safety Approval:

DIMENSION

Dim A	N×7.5
Dim B	(N-1)×7.5

N=Number of poles

Poles	Tolerance
2p-6p	±0.20
7p-12p	±0.30
13p-16p	±0.40

PART NO.: VJ xx 4 1 x 2 00J0 G

End stackable	0	Black (RAL9005)	RoHS compliant
No. of poles	2	Red (RAL3001/D)	(lead<4%)
02 2 poles	3	Orange(RAL2011/P)	In copper Alloy
03 3 poles	4	Yellow(RAL1018/A)	
...	5	Green(RAL6018/T)	
16 16 poles	6	Blue (RAL5015/A)	
	8	Grey(RAL7035/D)	
	9	White(RAL1102)	
	C	Green(RAL6018/U)	

mat'l. code		surface ASME Y14.5	tolerance ASME Y14.5	projection	product family TERMINAL BLOCK
ltr	ecn no	dr	date		title
				tolerances unless otherwise specified	TERMINAL BLOCK
				angles $\phi$ X±0.5	↑ MM ↓
				length X.X±0.3	TERMINAL BLOCK
				radius X.XX±0.1	↑ scale ↓
		dr	EVIN ZHONG 040914		↑ RISING CLAMP, 180D WIRE INLET, END STACKABLE ↓
		enr	EVIN ZHONG 040914		dwg no
		chr	HANKE FENG 040914		sheet 1 of 1
		appd	SHI JUN 040914		size
sheet index	revision sheet	A	1		VJxx41x200J0G A4
					type
					CUSTOMER Drawing