



Chipsmall Limited consists of a professional team with an average of over 10 year of expertise in the distribution of electronic components. Based in Hongkong, we have already established firm and mutual-benefit business relationships with customers from,Europe,America and south Asia,supplying obsolete and hard-to-find components to meet their specific needs.

With the principle of “Quality Parts,Customers Priority,Honest Operation,and Considerate Service”,our business mainly focus on the distribution of electronic components. Line cards we deal with include Microchip,ALPS,ROHM,Xilinx,Pulse,ON,Everlight and Freescale. Main products comprise IC,Modules,Potentiometer,IC Socket,Relay,Connector.Our parts cover such applications as commercial,industrial, and automotives areas.

We are looking forward to setting up business relationship with you and hope to provide you with the best service and solution. Let us make a better world for our industry!



## Contact us

Tel: +86-755-8981 8866 Fax: +86-755-8427 6832

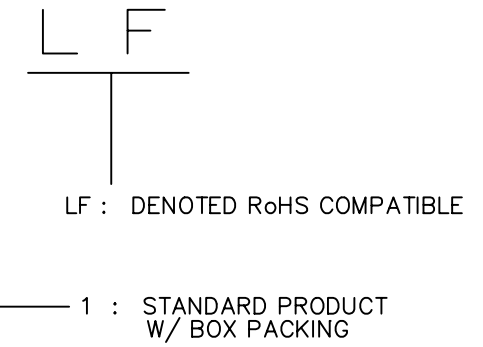
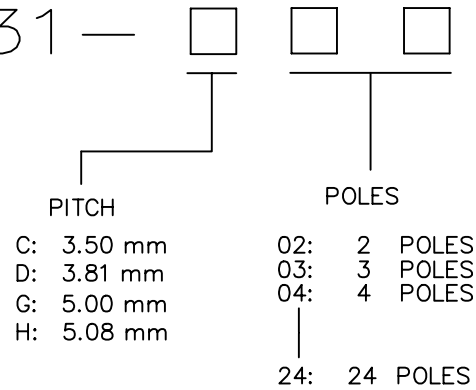
Email & Skype: info@chipsmall.com Web: www.chipsmall.com

Address: A1208, Overseas Decoration Building, #122 Zhenhua RD., Futian, Shenzhen, China



PRODUCT NUMBER
20020131-XXXXXXLF

20020131 —



PROPERTY TABLE					
FCI SERIES NAME		30-350	30-381	30-500	30-508
PITCH (mm)		3.50	3.81	5.00	5.08
VOLTAGE RATING (VAC)		300	300	300	300
CURRENT RATING (A)	cULus	8	8	15	15
	VDE	10	10	NA	NA
WITHSTANDING VOLTAGE (kV)	cULus	1.6	1.6	1.6	1.6
	VDE	2.5	2.5	NA	NA
OPERATING TEMP. (°C)		-40~+115	-40~+115	-40~+115	-40~+115
SOLDERING TEMP. (°C)		250±10 (5 sec.)	250±10 (5 sec.)	250±10 (5 sec.)	250±10 (5 sec.)
POLES AVAILABLE		02~24	02~24	02~24	02~24
SAFETY CERTIFICATE					

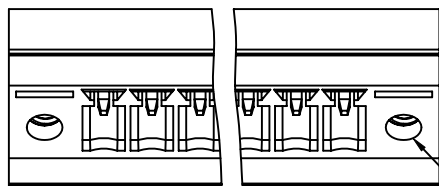
HOUSING CODE		
CODE	COLOR	AVAILABILITY
1	GREEN(RAL 6018/T)	STANDARD
2	BLACK	ON REQUEST ONLY
3	GREY(RAL 7004/P)	ON REQUEST ONLY
4	BLUE(RAL 5015/A)	ON REQUEST ONLY

- NOTES:
- MATERIALS  
1-1 HOUSING: THERMALPLASTIC RESIN, UL 94V-0 RATED.  
1-2 TERMINAL: COPPER ALLOY, TIN PLATED.
  - PRODUCTION SPECIFICATION REFER TO FCI GS-12-625.
  - BOXED PACKAGING.  
DETAILED PRODUCT PACKING SPECIFICATION REFER TO FCI GS-14-1394.
  - FCI, SAFETY CERTIFICATE LOGO AND SERIES NAME TO BE SHOWN ON PRODUCT SURFACE.
  - THE PRODUCTS WHERE THE PART NUMBER END IN "LF" MEET THE EUROPEAN UNION DIRECTIVE AND OTHER COUNTRY REGULATIONS AS DESCRIBED IN GS-22-008.
  - RECOMENDED SOLDERING PROCESS BY WAVE SOLDER.

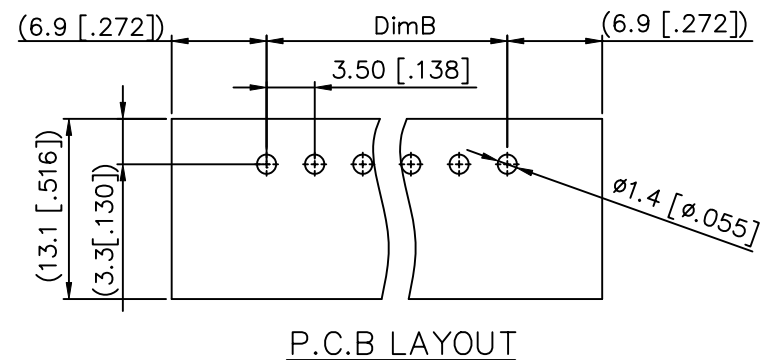
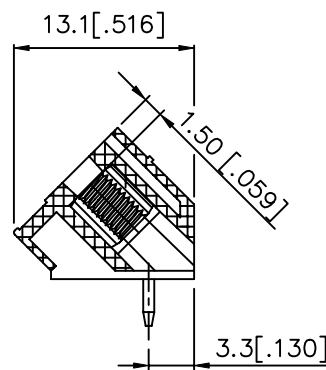
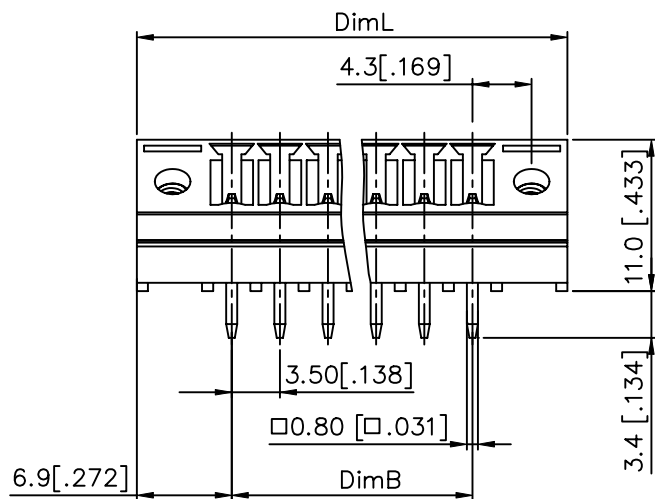
mat'l. code				surface ASME Y14.5 ✓		tolerance ASME Y14.5		projection		product family	
ltr				ecn no		dr		date		TERMINAL BLOCK	
A				T10-0099		WL		070110		title	
B				T10-0161		WL		101210		TERMINAL BLOCK	
C				T10-0187		WL		121410		PLUGGABLE SIGNAL, SOCKET W/FLANGE	
D				T11-0015		WL		030211		45° ANGLE	
E				T11-0013		WL		040811		dwg no	
										sheet 1 of 5 size	
										20020131 A4	
										type	
										CUSTOMER Drawing	
sheet index		revision sheet		E		E		E		E	
		1 2		3		4		5			



PRODUCT NUMBER	SERIES NAME	PITCH
20020131-CXXXXXXLF	30-350	3.50 mm



FLANGE NUT M2.5

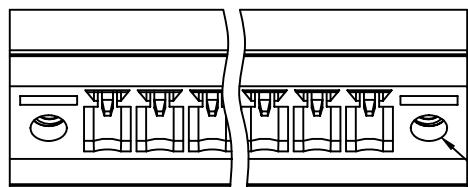


POLE		2	3	4	5	6	7	8
DIM.L		17.3[.681]	20.8[.818]	24.3[.956]	27.8[1.094]	31.3[1.2322]	34.8[1.370]	38.3[1.507]
DIM.B		3.50[.138]	7.00[.276]	10.50[.413]	14.00[.551]	17.50[.689]	21.00[.827]	24.50[.965]
Tol.		±0.10[.004]			±0.15[.006]			±0.20[.008]
POLE	9	10	11	12	13	14	15	16
DIM.L	41.8[1.645]	45.3[1.783]	48.8[1.921]	52.3[2.059]	55.8[2.196]	59.3[2.334]	62.8[2.472]	66.3[2.610]
DIM.B	28.00[1.102]	31.50[1.240]	35.00[1.378]	38.50[1.516]	42.00[1.654]	45.5[1.791]	49.0[1.929]	52.50[2.067]
Tol.	±0.20[.008]				±0.25[.010]			
POLE	17	18	19	20	21	22	23	24
DIM.L	69.8[2.748]	73.3[2.885]	76.8[3.023]	80.3[3.161]	83.8[3.299]	87.3[3.437]	90.8[3.574]	94.3[3.712]
DIM.B	56.00[2.205]	59.50[2.342]	63.00[2.480]	66.50[2.618]	70.00[2.756]	73.50[2.894]	77.00[3.031]	80.50[3.169]
Tol.	±0.25[.010]			±0.30[.012]				

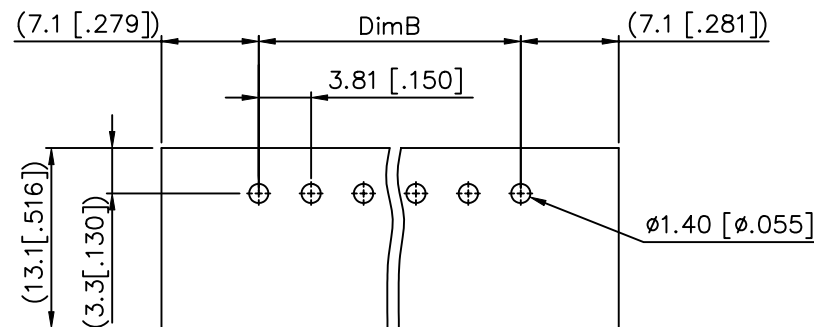
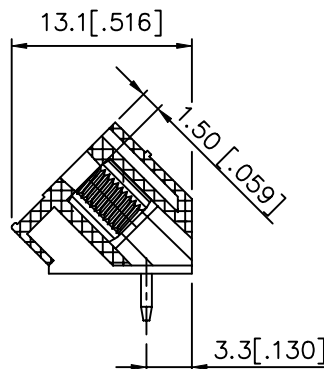
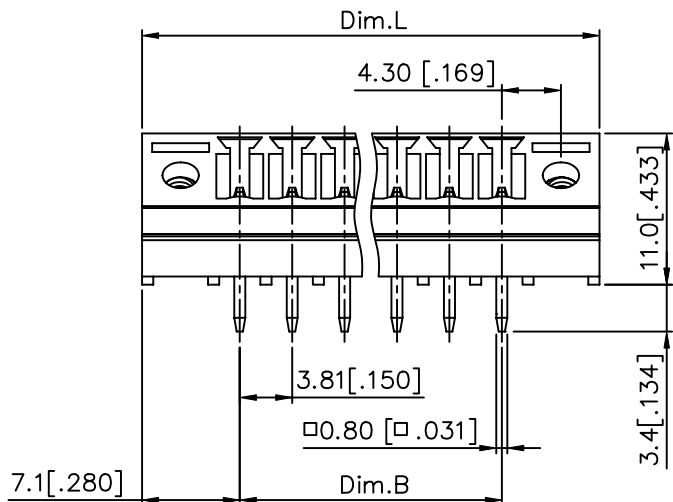
mat'l. code		surface ASME Y14.5	tolerance ASME Y14.5	projection 	product family TERMINAL BLOCK
ltr	ecn no	dr	date	tolerances unless otherwise specified	title TERMINAL BLOCK PLUGGABLE SIGNAL, SOCKET W/FLANGE 45° ANGLE
E				angles $X \pm 0.5$ $X.X \pm 0.3$ $X.XX \pm 0.1$	scale MM [INCH]
		dr	WENDY CHEN	062310	sheet 2 of 5 size
		enr	JASON HSU	062310	20020131
		chr	GARY HSIEH	062310	A4
		appd	JOSEPH HSIA	062310	type CUSTOMER Drawing
sheet index	revision sheet				



PRODUCT NUMBER	SERIES NAME	PITCH
20020131-DXXXXXXLF	30-381	3.81 mm



FLANGE NUT M2.5



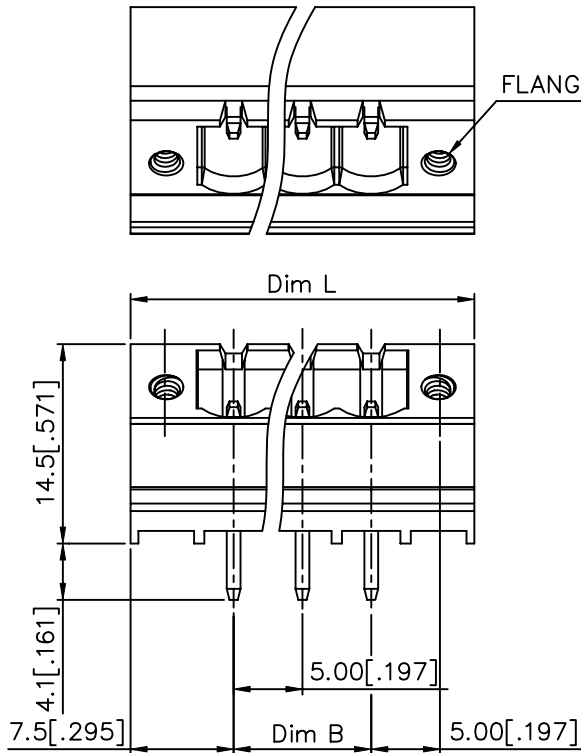
P.C.B LAYOUT

POLE		2	3	4	5	6	7	8
Dim.L		18.01[.710]	21.82[.860]	25.63[1.010]	29.44[1.160]	33.25[1.310]	37.06[1.460]	40.87[1.610]
Dim.B		3.81[.150]	7.62[.300]	11.43[.450]	15.24[.600]	19.05[.750]	22.86[.900]	26.67[1.050]
Tol.		±0.10[.004]			±0.15[.006]			±0.20[.008]
POLE	9	10	11	12	13	14	15	16
Dim.L	44.68[1.760]	48.49[1.910]	52.3[2.060]	56.11[2.210]	59.92[2.360]	63.73[2.510]	67.54[2.660]	71.35[2.810]
Dim.B	30.48[1.200]	34.29[1.350]	38.10[1.500]	41.91[1.650]	45.72[1.800]	49.53[1.950]	53.34[2.100]	57.15[2.250]
Tol.	±0.20[.008]				±0.25[.010]			
POLE	17	18	19	20	21	22	23	24
Dim.L	75.16[2.960]	78.97[3.110]	82.78[3.260]	86.59[3.410]	90.4[3.560]	94.21[3.710]	98.02[3.860]	101.83[4.010]
Dim.B	60.96[2.400]	64.77[2.550]	68.58[2.700]	72.39[2.850]	76.20[3.000]	80.01[3.150]	83.82[3.300]	87.63[3.450]
Tol.	±0.25[.010]				±0.30[.012]			

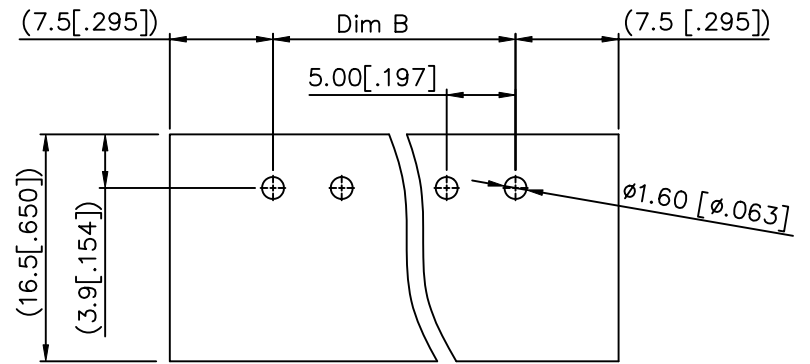
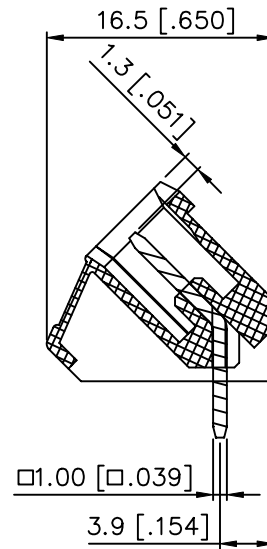
mat'l. code		surface ASME Y14.5	tolerance ASME Y14.5	projection 	product family TERMINAL BLOCK
ltr	ecn no	dr	date	tolerances unless otherwise specified	title TERMINAL BLOCK PLUGGABLE SIGNAL, SOCKET W/FLANGE 45° ANGLE
E				angles X±0.5 X.X±0.3 X.XX±0.1	MM [INCH]
				scale	sheet 3 of 5 size
		dr	WENDY CHEN	062310	dwg no
		enr	JASON HSU	062310	20020131
		chr	GARY HSIEH	062310	A4
		appd	JOSEPH HSIA	062310	type
					CUSTOMER Drawing
sheet index	revision sheet				



PRODUCT NUMBER	SERIES NAME	PITCH
20020131-GXXXXXLF	30-500	5.00 mm



FLANGE NUT M2.5

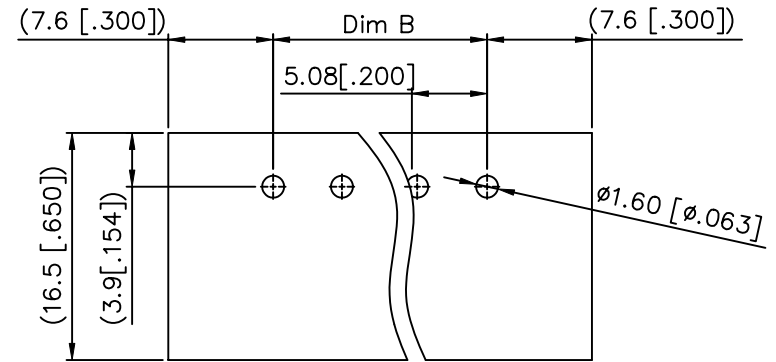
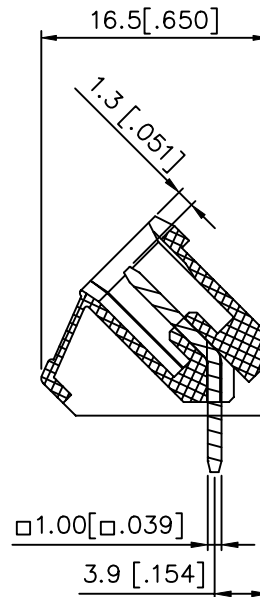
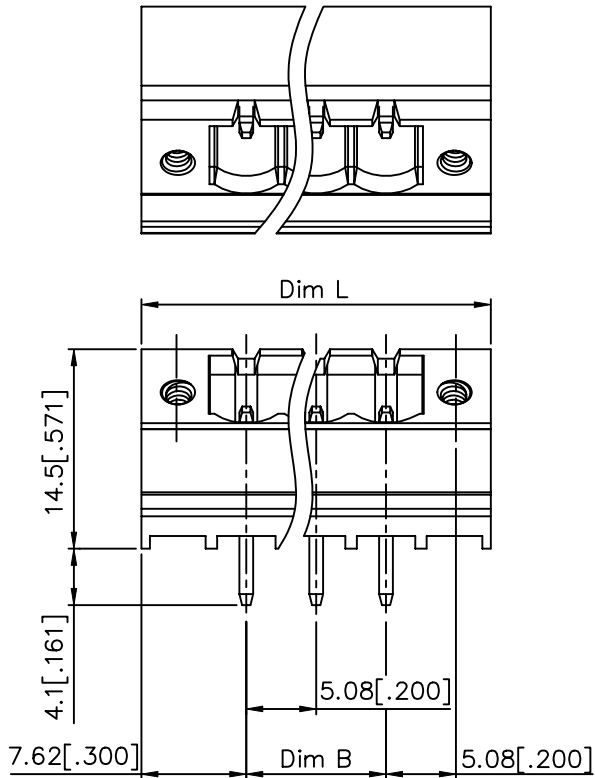


PCB LAYOUT

POLE		2	3	4	5	6	7	8	
DIM.L		20.0[.787]	25.0[.984]	30.0[1.181]	35.0[1.377]	40.0[1.574]	45.0[1.771]	50.0[1.968]	
DIM.B		5.0[.196]	10.0[.394]	15.0[.590]	20.0[.787]	25.0[.984]	30.0[1.181]	35.0[1.377]	
Tol.		±0.15[.006]						±0.25[.010]	
POLE	9	10	11	12	13	14	15	16	
DIM.L	55.0[2.165]	60.0[2.362]	65.0[2.559]	70.0[2.755]	75.0[2.952]	80.0[3.149]	85.0[3.346]	90.0[3.543]	
DIM.B	40.0[1.574]	45.0[1.771]	50.0[1.968]	55.0[2.165]	60.0[2.362]	65.0[2.559]	70.0[2.755]	75.0[2.952]	
Tol.	±0.25[.010]				±0.30[.012]				
POLE	17	18	19	20	21	22	23	24	
DIM.L	95.0[3.74]	100.0[3.937]	105.0[4.133]	110.0[4.330]	115.0[4.527]	120.0[4.724]	125.0[4.921]	130.0[5.118]	
DIM.B	80.0[3.149]	85.0[3.346]	90.0[3.543]	95.0[3.740]	100.0[3.937]	105.0[4.133]	110.0[4.330]	115.0[4.527]	
Tol.	±0.30[.012]			±0.40[.016]					

mat'l. code		surface ASME Y14.5	tolerance ASME Y14.5	projection 	product family TERMINAL BLOCK
ltr	ecn no	dr	date	tolerances unless otherwise specified	title
E				angles X±1°	TERMINAL BLOCK PLUGGABLE SIGNAL, SOCKET W/FLANGE 45° ANGLE
				MM [INCH]	scale
				dr WENDY CHEN 062310	sheet 4 of 5 size
				engr JASON HSU 062310	dwg no 20020131 A4
				chr GARY HSIEH 062310	type CUSTOMER Drawing
				appd JOSEPH HSIA 062310	
sheet index	revision sheet				

PRODUCT NUMBER	SERIES NAME	PITCH
20020131-HXXXXXXLF	30-508	5.08 mm



PCB LAYOUT

POLE	2		3	4	5	6	7	8
DIM.L	20.32[.800]		25.4[1.000]	30.48[1.200]	35.56[1.400]	40.64[1.600]	45.72[1.800]	50.8[2.000]
DIM.B	5.08[.200]		10.16[.400]	15.24[.600]	20.32[.800]	25.4[1.000]	30.48[1.200]	35.56[1.400]
Tol.	±0.15[.006]						±0.25[.010]	
POLE	9	10	11	12	13	14	15	16
DIM.L	55.88[2.200]	60.96[2.400]	66.04[2.600]	71.12[2.800]	76.2[3.000]	81.28[3.200]	86.36[3.400]	91.44[3.600]
DIM.B	40.64[1.600]	45.72[1.800]	50.8[2.000]	55.88[2.200]	60.96[2.400]	66.04[2.600]	71.12[2.800]	76.2[3.000]
Tol.	±0.25[.010]				±0.30[.012]			
POLE	17	18	19	20	21	22	23	24
DIM.L	96.52[3.800]	101.6[4.000]	106.68[4.200]	111.76[4.400]	116.84[4.600]	121.92[4.800]	127.0[5.000]	132.08[5.200]
DIM.B	81.28[3.200]	86.36[3.400]	91.44[3.600]	96.52[3.800]	101.6[4.000]	106.68[4.200]	111.76[4.400]	116.84[4.600]
Tol.	±0.30[.012]			±0.40[.016]				

mat'l. code		surface ASME Y14.5	tolerance ASME Y14.5	projection MM INCH	product family TERMINAL BLOCK
ltr	ecn no	dr	date	tolerances unless otherwise specified	title TERMINAL BLOCK PLUGGABLE SIGNAL, SOCKET W/FLANGE 45° ANGLE
E				angles X±1°	scale
				dr WENDY CHEN 062310	sheet 5 of 5 size
				enr JASON HSU 062310	20020131 A4
				chr GARY HSIEH 062310	type CUSTOMER Drawing
				appd JOSEPH HSIA 062310	
sheet index	revision sheet				