



Chipsmall Limited consists of a professional team with an average of over 10 year of expertise in the distribution of electronic components. Based in Hongkong, we have already established firm and mutual-benefit business relationships with customers from,Europe,America and south Asia,supplying obsolete and hard-to-find components to meet their specific needs.

With the principle of "Quality Parts,Customers Priority,Honest Operation,and Considerate Service",our business mainly focus on the distribution of electronic components. Line cards we deal with include Microchip,ALPS,ROHM,Xilinx,Pulse,ON,Everlight and Freescale. Main products comprise IC,Modules,Potentiometer,IC Socket,Relay,Connector.Our parts cover such applications as commercial,industrial, and automotives areas.

We are looking forward to setting up business relationship with you and hope to provide you with the best service and solution. Let us make a better world for our industry!



Contact us

Tel: +86-755-8981 8866 Fax: +86-755-8427 6832

Email & Skype: info@chipsmall.com Web: www.chipsmall.com

Address: A1208, Overseas Decoration Building, #122 Zhenhua RD., Futian, Shenzhen, China





PRODUCT NUMBER

20020130-XXXXXXXXLF

20020130- [] [] [] [] A 0 [] L F

PITCH

- C: 3.50 mm
- D: 3.81 mm
- G: 5.00 mm
- H: 5.08 mm

POLES

- 02: 2 POLES
- 03: 3 POLES
- 04: 4 POLES
- 24: 24 POLES

LF : DENOTED RoHS COMPATIBLE

1 : STANDARD PRODUCT W/ BOX PACKING

HOUSING CODE

CODE	COLOR	AVAILABILITY
1	GREEN(RAL 6018/T)	STANDARD
2	BLACK	ON REQUEST ONLY
3	GREY(RAL 7004/P)	ON REQUEST ONLY
4	BLUE(RAL 5015/A)	ON REQUEST ONLY

PROPERTY TABLE

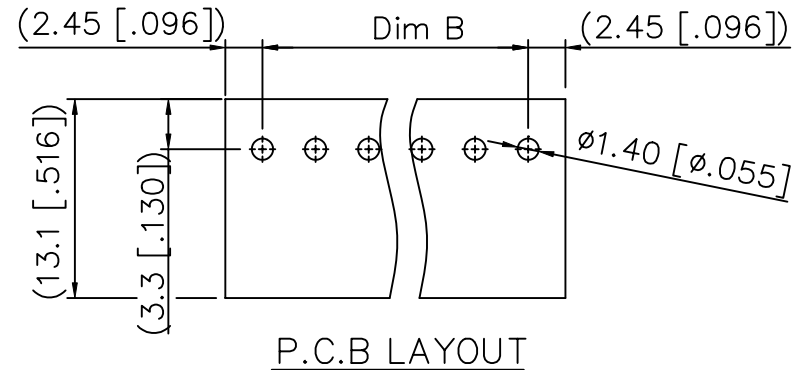
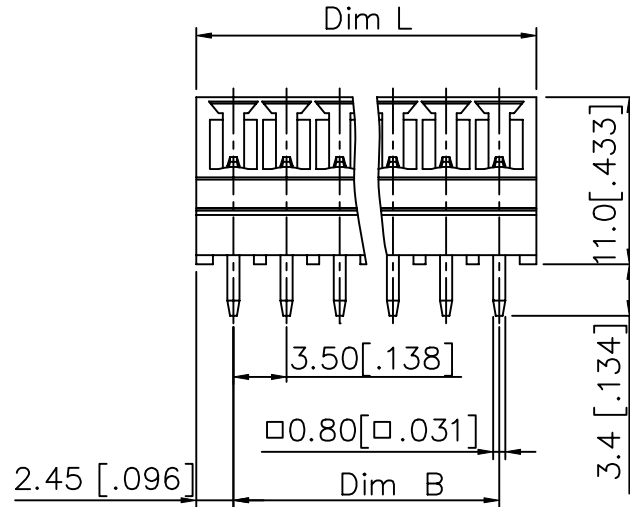
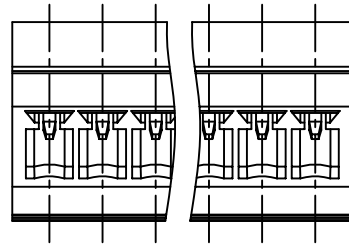
FCI SERIES NAME		30-350	30-381	30-500	30-508
PITCH (mm)		3.50	3.81	5.00	5.08
VOLTAGE RATING (VAC)		300	300	300	300
CURRENT RATING (A)	cULus	8	8	15	15
	VDE	10	10	NA	NA
WITHSTANDING VOLTAGE (kV)	cULus	1.6	1.6	1.6	1.6
	VDE	2.5	2.5	NA	NA
OPERATING TEMP. (°C)		-40~+115	-40~+115	-40~+115	-40~+115
SOLDERING TEMP. (°C)		250±10 (5 sec.)	250±10 (5 sec.)	250±10 (5 sec.)	250±10 (5 sec.)
POLES AVAILABLE		02~24	02~24	02~24	02~24
SAFETY CERTIFICATE					

NOTES:

1. MATERIALS
 - 1-1 HOUSING: THERMALPLASTIC RESIN, UL 94V-0 RATED.
 - 1-2 TERMINAL: COPPER ALLOY, TIN PLATED.
2. PRODUCT SPECIFICATION REFER TO FCI GS-12-625.
3. BOXED PACKAGING, DETAILED PRODUCT PACKING SPECIFICATION REFER TO FCI GS-14-1394.
4. FCI, SAFETY CERTIFICATE LOGO AND SERIES NAME TO BE SHOWN ON PRODUCT SURFACE.
5. THE PRODUCTS WHERE THE PART NUMBER END IN "LF" MEET THE EUROPEAN UNION DIRECTIVE AND OTHER COUNTRY REGULATIONS AS DESCRIBED IN GS-22-008.
6. RECOMENDED SOLDERING PROCESS BY WAVE SOLDER.

mat'l. code		surface ASME Y14.5 ✓		tolerance ASME Y14.5		projection		product family	
ltr		ecn no		dr		date		TERMINAL BLOCK	
A		T10-0099		WL		070110		title	
B		T10-0161		WL		101210		TERMINAL BLOCK	
C		T11-0013		WL		040811		PLUGGABLE SIGNAL, SOCKET 45° ANGLE	
dr		WENDY CHEN		062310		scale		dwg no	
enr		JASON HSU		062310		MM		sheet 1 of 5	
chr		GARY HSIEH		062310		[INCH]		size	
appd		JOSEPH HSIA		062310		FCI		20020130	
sheet		revision		C		C		A4	
index		sheet		1		2		CUSTOMER Drawing	
				3		4			
				5					

PRODUCT NUMBER	SERIES NAME	PITCH
20020130-CXXXXXXLF	30-350	3.50 mm

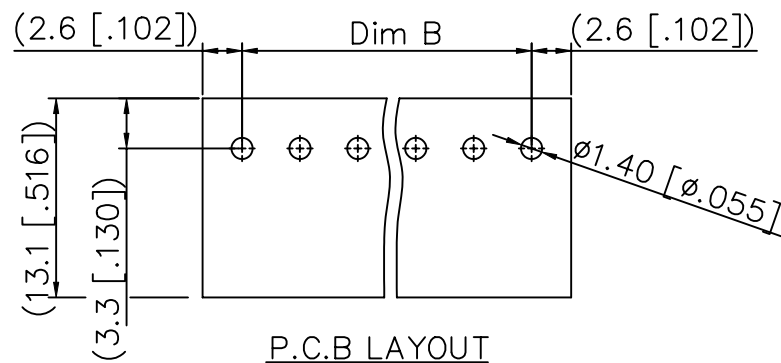
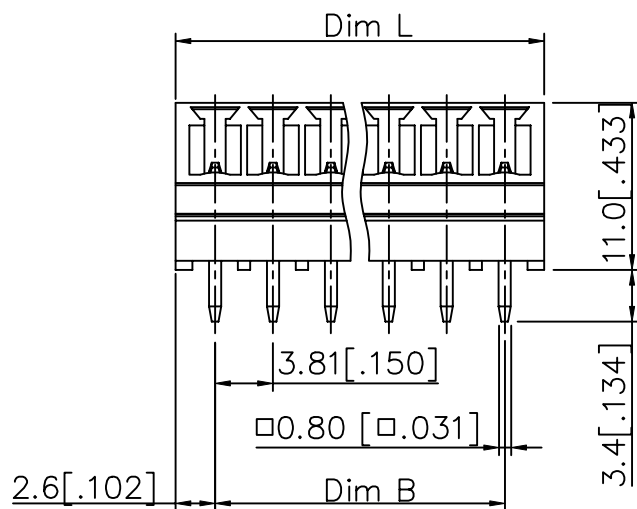
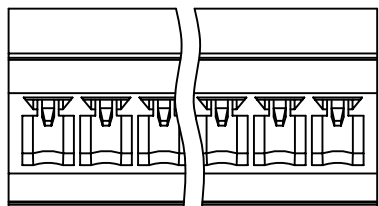


POLE	X		2	3	4	5	6	7	8
DIM.L	X		8.4[.331]	11.9[.468]	15.4[.606]	18.9[.744]	22.4[.881]	25.9[1.019]	29.4[1.157]
DIM.B	X		3.50[.138]	7.00[.276]	10.50[.413]	14.00[.551]	17.50[.689]	21.00[.827]	24.50[.965]
Tol.	±0.10[.004]			±0.15[.006]			±0.20[.008]		
POLE	9	10	11	12	13	14	15	16	
DIM.L	32.9[1.295]	36.4[1.433]	39.9[1.571]	43.4[1.708]	46.9[1.846]	50.4[1.984]	53.9[2.122]	57.4[2.259]	
DIM.B	28.00[1.102]	31.50[1.240]	35.00[1.378]	38.50[1.516]	42.00[1.654]	45.5[1.791]	49.0[1.929]	52.50[2.067]	
Tol.	±0.20[.008]				±0.25[.010]				
POLE	17	18	19	20	21	22	23	24	
DIM.L	60.9[2.397]	64.4[2.535]	67.9[2.673]	71.4[2.811]	74.9[2.948]	78.4[3.086]	81.9[3.224]	85.4[3.362]	
DIM.B	56.00[2.205]	59.50[2.342]	63.00[2.480]	66.50[2.618]	70.00[2.756]	73.50[2.894]	77.00[3.031]	80.50[3.169]	
Tol.	±0.25[.010]			±0.30[.012]					

mat'l. code		surface ASME Y14.5 ✓	tolerance ASME Y14.5	projection 	product family TERMINAL BLOCK
ltr	ecn no	dr	date	tolerances unless otherwise specified	title
c				angles X±0.5 X.X±0.3 X°±1'	TERMINAL BLOCK PLUGGABLE SIGNAL, SOCKET 45° ANGLE
				MM [INCH]	scale
		dr	WENDY CHEN	062310	dwg no
		enr	JASON HSU	062310	sheet 2 of 5
		chr	GARY HSIEH	062310	20020130
		appd	JOSEPH HSIA	062310	A4
sheet index	revision sheet				type CUSTOMER Drawing



PRODUCT NUMBER	SERIES NAME	PITCH
20020130-DXXXXXXLF	30-381	3.81 mm

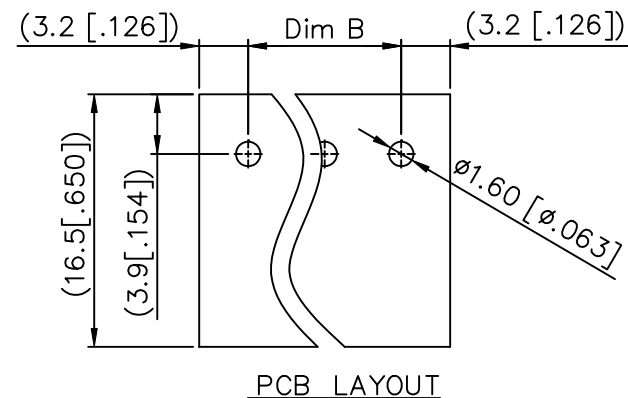
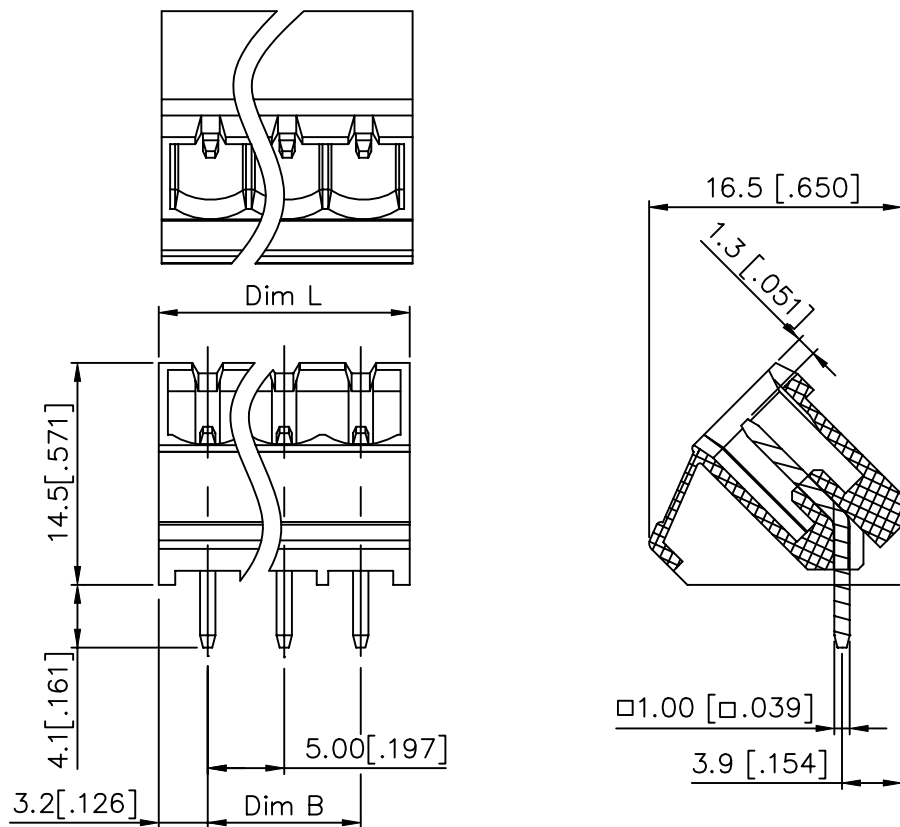


POLE		2	3	4	5	6	7	8
Dim.L		9.01[.300]	12.82[.450]	16.63[.600]	20.44[.750]	24.25[.900]	28.06[1.050]	31.87[1.200]
Dim.B		3.81[.150]	7.62[.300]	11.43[.450]	15.24[.600]	19.05[.750]	22.86[.900]	26.67[1.050]
Tol.		±0.10[.004]			±0.15[.006]			±0.20[.008]
POLE	9	10	11	12	13	14	15	16
Dim.L	35.68[1.350]	39.49[1.500]	43.3[1.650]	47.11[1.800]	50.92[1.950]	54.73[2.100]	58.54[2.250]	62.35[2.400]
Dim.B	30.48[1.200]	34.29[1.350]	38.10[1.500]	41.91[1.650]	45.72[1.800]	49.53[1.950]	53.34[2.100]	57.15[2.250]
Tol.	±0.20[.008]			±0.25[.010]				
POLE	17	18	19	20	21	22	23	24
Dim.L	66.16[2.550]	69.97[2.700]	73.78[2.850]	77.59[3.000]	81.4[3.150]	85.21[3.300]	89.02[3.450]	92.83[3.600]
Dim.B	60.96[2.400]	64.77[2.550]	68.58[2.700]	72.39[2.850]	76.20[3.000]	80.01[3.150]	83.82[3.300]	
Tol.	±0.25[.010]			±0.30[.012]				

mat'l. code		surface	tolerance	projection	product family
		ASME Y14.5	ASME Y14.5		TERMINAL BLOCK
ltr	ecn no	dr	date	title	
c				TERMINAL BLOCK	
				PLUGGABLE SIGNAL, SOCKET 45° ANGLE	
				scale	dwg no
				MM	sheet 3 of 5
				INCH	size
					A4
					type
					CUSTOMER Drawing
sheet index	revision sheet				



PRODUCT NUMBER	SERIES NAME	PITCH
20020130-GXXXXXXLF	30-500	5.00 mm

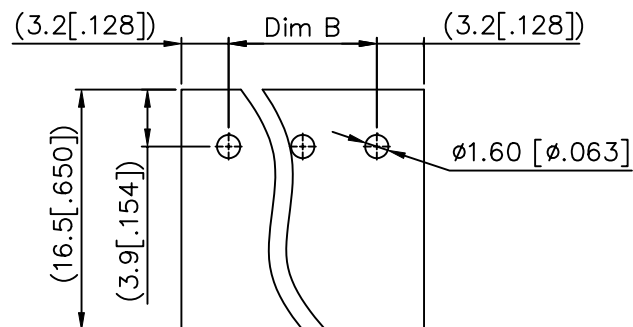
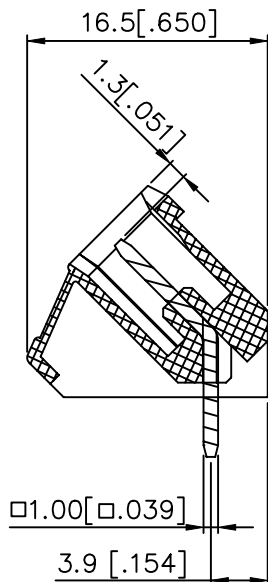
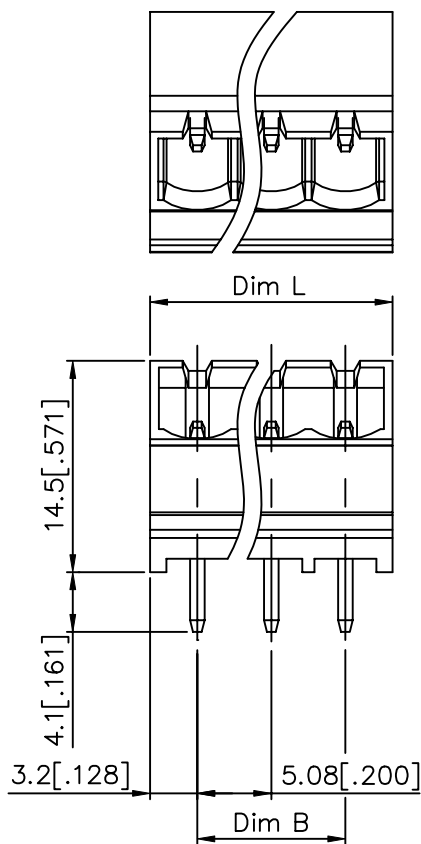


POLE	1	2	3	4	5	6	7	8
DIM.L	46.4[1.827]	11.4[.449]	16.4[.645]	21.4[.842]	26.4[1.039]	31.4[1.236]	36.4[1.433]	41.4[1.630]
DIM.B	40.0[1.574]	5.0[.196]	10.0[.394]	15.0[.590]	20.0[.787]	25.0[.984]	30.0[1.181]	35.0[1.377]
Tol.		±0.15[.006]						±0.25[.010]
POLE	9	10	11	12	13	14	15	16
DIM.L	46.4[1.827]	51.4[2.024]	56.4[2.220]	61.4[2.417]	66.4[2.614]	71.4[2.811]	76.4[3.008]	81.4[3.205]
DIM.B	40.0[1.574]	45.0[1.771]	50.0[1.968]	55.0[2.165]	60.0[2.362]	65.0[2.559]	70.0[2.755]	75.0[2.952]
Tol.	±0.25[.010]				±0.30[.012]			
POLE	17	18	19	20	21	22	23	24
DIM.L	86.4[3.402]	91.4[3.598]	96.4[3.795]	101.4[3.992]	106.4[4.189]	111.4[4.386]	116.4[4.583]	121.4[4.780]
DIM.B	80.0[3.149]	85.0[3.346]	90.0[3.543]	95.0[3.74]	100.0[3.937]	105.0[4.133]	110.0[4.330]	115.0[4.527]
Tol.	±0.30[.012]			±0.40[.016]				

mat'l. code		surface ASME Y14.5 ✓	tolerance ASME Y14.5	projection 	product family TERMINAL BLOCK
ltr	ecn no	dr	date	tolerances unless otherwise specified	title
c				angles X±0.5 X.X±0.3 X°±1'	TERMINAL BLOCK PLUGGABLE SIGNAL, SOCKET 45° ANGLE
				scale MM [INCH]	dwg no sheet 4 of 5 size
		dr	WENDY CHEN	062310	20020130 A4
		enr	JASON HSU	062310	
		chr	GARY HSIEH	062310	
		appd	JOSEPH HSIA	062310	
sheet index	revision sheet				type CUSTOMER Drawing



PRODUCT NUMBER	SERIES NAME	PITCH
20020130-HXXXXXLF	30-508	5.08 mm



PCB LAYOUT

A

POLE		2	3	4	5	6	7	8
DIM.L		11.56[.455]	16.64[.655]	21.72[.855]	26.8[1.055]	31.88[1.255]	36.96[1.455]	42.04[1.655]
DIM.B		5.08[.200]	10.16[.400]	15.24[.600]	20.32[.800]	25.4[1.000]	30.48[1.200]	35.56[1.400]
Tol.		±0.15[.006]						±0.25[.010]
POLE	9	10	11	12	13	14	15	16
DIM.L	47.12[1.855]	52.2[2.055]	57.28[2.255]	62.36[2.455]	67.44[2.655]	72.52[2.855]	77.6[3.055]	82.68[3.255]
DIM.B	40.64[1.600]	45.72[1.800]	50.8[2.000]	55.88[2.200]	60.96[2.400]	66.04[2.600]	71.12[2.800]	76.2[3.000]
Tol.	±0.25[.010]				±0.30[.012]			
POLE	17	18	19	20	21	22	23	24
DIM.L	87.76[3.455]	92.84[3.655]	97.92[3.855]	103.0[4.055]	108.08[4.255]	113.16[4.455]	118.24[4.655]	123.32[4.855]
DIM.B	81.28[3.200]	86.36[3.400]	91.44[3.600]	96.52[3.800]	101.6[4.000]	106.68[4.200]	111.76[4.400]	116.84[4.600]
Tol.	±0.30[.012]				±0.40[.016]			

mat'l. code		surface ASME Y14.5 ✓	tolerance ASME Y14.5	projection 	product family TERMINAL BLOCK
ltr	ecn no	dr	date	tolerances unless otherwise specified	title
c				angles X±1°	TERMINAL BLOCK PLUGGABLE SIGNAL, SOCKET 45° ANGLE
				tolerance X.X±0.5 X.X±0.3 X.XX±0.1	MM [INCH]
				scale	dwg no sheet 5 of 5 size
		dr	WENDY CHEN	062310	 20020130 A4
		enr	JASON HSU	062310	
		chr	GARY HSIEH	062310	
		appd	JOSEPH HSIA	062310	
sheet index	revision sheet				type CUSTOMER Drawing

B