



Chipsmall Limited consists of a professional team with an average of over 10 year of expertise in the distribution of electronic components. Based in Hongkong, we have already established firm and mutual-benefit business relationships with customers from,Europe,America and south Asia,supplying obsolete and hard-to-find components to meet their specific needs.

With the principle of "Quality Parts,Customers Priority,Honest Operation,and Considerate Service",our business mainly focus on the distribution of electronic components. Line cards we deal with include Microchip,ALPS,ROHM,Xilinx,Pulse,ON,Everlight and Freescale. Main products comprise IC,Modules,Potentiometer,IC Socket,Relay,Connector.Our parts cover such applications as commercial,industrial, and automotives areas.

We are looking forward to setting up business relationship with you and hope to provide you with the best service and solution. Let us make a better world for our industry!



## Contact us

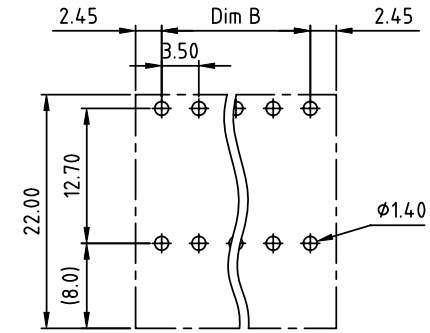
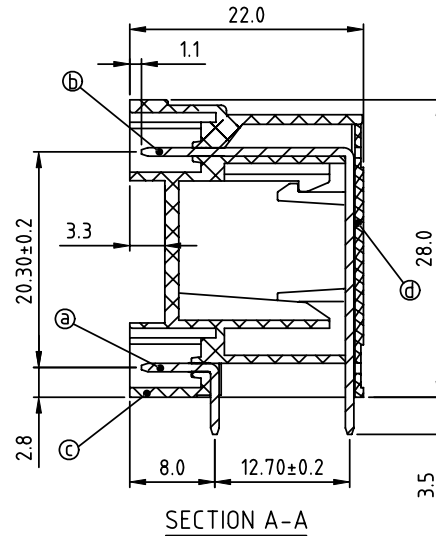
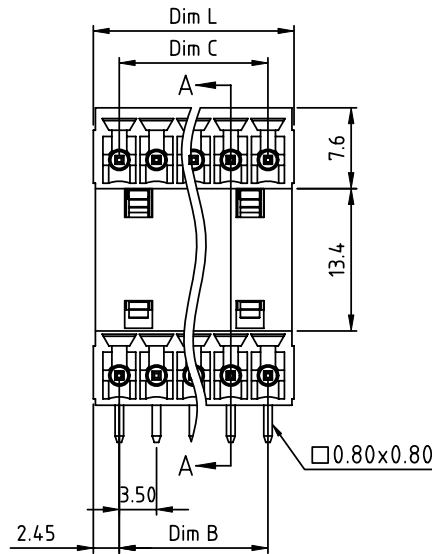
Tel: +86-755-8981 8866 Fax: +86-755-8427 6832

Email & Skype: info@chipsmall.com Web: www.chipsmall.com

Address: A1208, Overseas Decoration Building, #122 Zhenhua RD., Futian, Shenzhen, China



PRODUCT NUMBER	PITCH
VLxx11x100J0G	3.50 mm



RECOMMENDED P.C.B LAYOUT  
TOP VIEW

Material:

- Item ① Short pin: Copper Tin plated
- Item ② Long pin: Copper Tin plated
- Item ③ Terminal(housing): Thermoplastic (UL94V-0)
- Item ④ Terminal(cover): Thermoplastic (UL94V-0)

Electrical:

- cULus
- Voltage rating: 300V
  - Current rating: 10A
  - Withstanding Voltage: 1.6 KV
  - Operating temperature: -40°C to +115°C
  - Soldering temperature: 260°C±5°C/5 Sec
  - Safety Approval:

N=Number of poles

DIM L	N/2×3.5+1.4
DIM B	(N/2-1)×3.5
DIM C	(N/2-1)×3.5

Poles	Tolerance
2x2p-2x4p	±0.15
2x5p-2x8p	±0.20
2x9p-2x13p	±0.25
2x13p-2x17p	±0.30
2x18p-2x24p	±0.35

PART NO.: VL xx 1 1 x 1 00J0 G

		Color	RoHS compliant
Solid block	0	Black (RAL9005)	(lead<4%)
No. of poles	2	Red (RAL3001/D)	In copper Alloy
04	2x2poles	3 Orange(RAL2011/P)	
06	2x3poles	4 Yellow(RAL1018/A)	
...	...	5 Green(RAL6018/T)	
48	2x24poles	6 Blue (RAL5015/A)	
		8 Grey(RAL7035/D)	
		9 White(RAL1102)	
		C Green(RAL6018/U)	

mat'l. code		surface ASME Y14.5	tolerance ASME Y14.5	projection	product family TERMINAL BLOCK
ltr	ecn no	dr	date		title TERMINAL BLOCK
				tolerances unless otherwise specified	PLUGGABLE SOCKET,RIGHT ANGLE
				angles X°±1°	scale
				dr EVIN ZHONG 042514	dwg no
				enr EVIN ZHONG 042514	sheet 1 of 1
				chr HANKE FENG 042514	VLxx11x100J0G
				appd SHI JUN 042514	size A4
sheet index	revision	A			type CUSTOMER Drawing
	sheet	1			