



Chipsmall Limited consists of a professional team with an average of over 10 year of expertise in the distribution of electronic components. Based in Hongkong, we have already established firm and mutual-benefit business relationships with customers from,Europe,America and south Asia,supplying obsolete and hard-to-find components to meet their specific needs.

With the principle of “Quality Parts,Customers Priority,Honest Operation,and Considerate Service”,our business mainly focus on the distribution of electronic components. Line cards we deal with include Microchip,ALPS,ROHM,Xilinx,Pulse,ON,Everlight and Freescale. Main products comprise IC,Modules,Potentiometer,IC Socket,Relay,Connector.Our parts cover such applications as commercial,industrial, and automotives areas.

We are looking forward to setting up business relationship with you and hope to provide you with the best service and solution. Let us make a better world for our industry!



Contact us

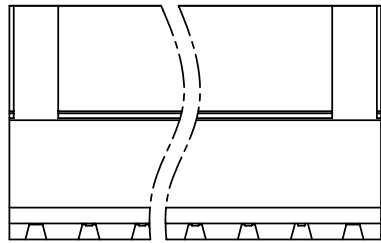
Tel: +86-755-8981 8866 Fax: +86-755-8427 6832

Email & Skype: info@chipsmall.com Web: www.chipsmall.com

Address: A1208, Overseas Decoration Building, #122 Zhenhua RD., Futian, Shenzhen, China

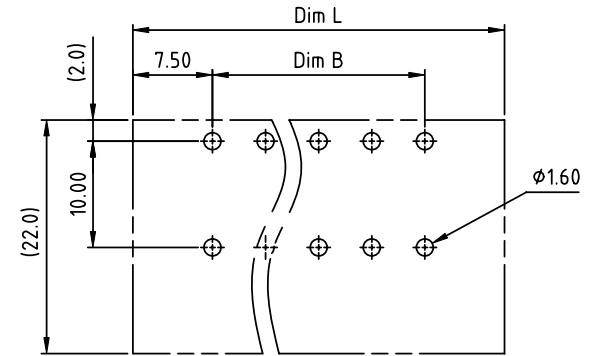


PRODUCT NUMBER	PITCH
VLxx72x100J0G	5.00 mm



PART NO.: VL xx 7 2 x 1 00J0 G

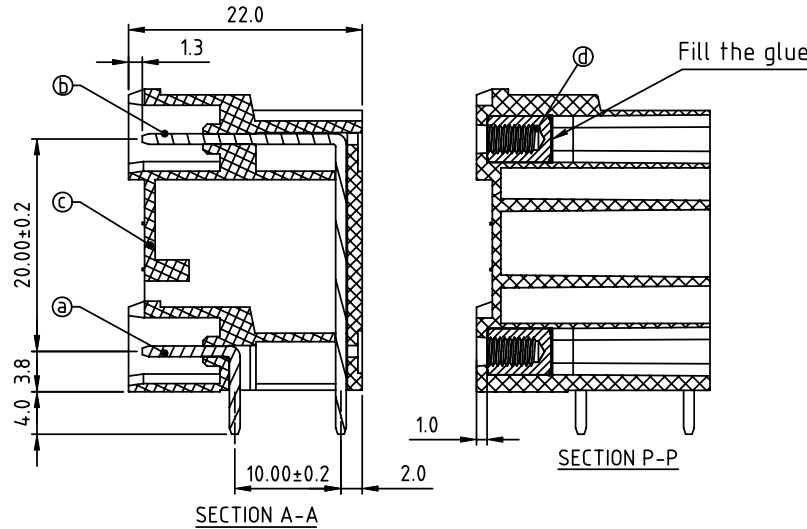
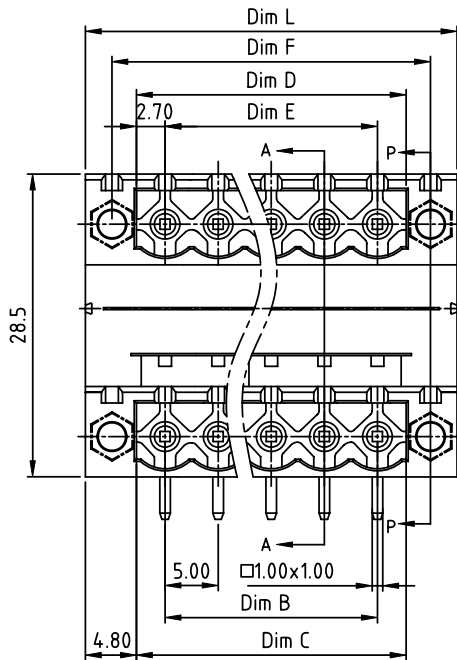
Solid block	0	Black (RAL9005)	RoHS compliant (lead<4%)
No. of poles	2	Red (RAL3001/D)	In copper Alloy
04 2x2poles	3	Orange(RAL2011/P)	
06 2x3poles	4	Yellow(RAL1018/A)	
... ..	5	Green(RAL6018/T)	
48 2x24poles	6	Blue (RAL5015/A)	
	8	Grey(RAL7035/D)	
	9	White(RAL1102)	
	C	Green(RAL6018/U)	



RECOMMENDED P.C.B LAYOUT
TOP VIEW

Material:

- Item ① Short pin: Copper Tin plated
 - Item ② Long pin: Copper Tin plated
 - Item ③ Terminal(housing): Thermoplastic (UL94V-0)
 - Item ④ With flange nut: Brass ,M2.5
- Electrical: cULus
- Voltage rating: 300V
 - Current rating: 20A
 - Withstanding Voltage: 1.6 KV
 - Operating temperature: -40°C to +115°C
 - Soldering temperature: 260°C±5°C/5 Sec
 - Safety Approval:



N=Number of poles

$Dim L = (N/2 + 2) \times 5.0$ $Dim D = N/2 \times 5.0 + 0.4$
 $Dim B = (N/2 - 1) \times 5.0$ $Dim E = (N/2 - 1) \times 5.0$
 $Dim C = N/2 \times 5.0 + 0.4$ $Dim F = (N/2 + 1) \times 5.0$

Poles	Dim L	Dim B	Dim C	Dim D	Dim E	Dim F
2x2-2x6p	±0.15	±0.15	+0.15 -0.00	+0.15 -0.00	±0.15	±0.15
2x7-2x12p	±0.25	±0.25	+0.25 -0.00	+0.25 -0.00	±0.25	±0.25
2x13-2x18p	±0.35	±0.35	+0.30 -0.00	+0.30 -0.00	±0.35	±0.35
2x19-2x24p	±0.40	±0.40	+0.40 -0.00	+0.40 -0.00	±0.40	±0.40

mat'l. code		surface ASME Y14.5 ✓	tolerance ASME Y14.5	projection 	product family TERMINAL BLOCK
ltr	ecn no	dr	date	tolerances unless otherwise specified	title TERMINAL BLOCK
				angles X°±1'	PLUGGABLE SOCKET, WITH FLANGE, RIGHT ANGLE
				MM	scale
		dr	EVIN ZHONG	042814	dwg no
		enr	EVIN ZHONG	042814	sheet 1 of 1
		chr	HANKE FENG	042814	VLxx72x100J0G
		appd	SHI JUN	042814	A4
sheet index	revision	A			type CUSTOMER Drawing
	sheet	1			