



Chipsmall Limited consists of a professional team with an average of over 10 year of expertise in the distribution of electronic components. Based in Hongkong, we have already established firm and mutual-benefit business relationships with customers from,Europe,America and south Asia,supplying obsolete and hard-to-find components to meet their specific needs.

With the principle of “Quality Parts,Customers Priority,Honest Operation,and Considerate Service”,our business mainly focus on the distribution of electronic components. Line cards we deal with include Microchip,ALPS,ROHM,Xilinx,Pulse,ON,Everlight and Freescale. Main products comprise IC,Modules,Potentiometer,IC Socket,Relay,Connector.Our parts cover such applications as commercial,industrial, and automotives areas.

We are looking forward to setting up business relationship with you and hope to provide you with the best service and solution. Let us make a better world for our industry!



## Contact us

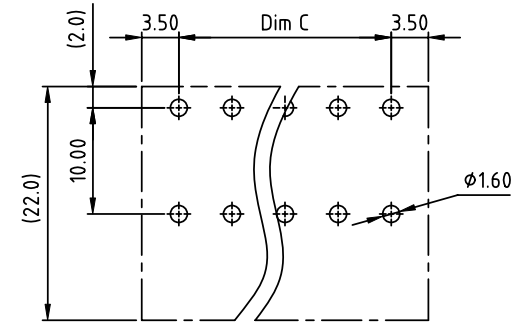
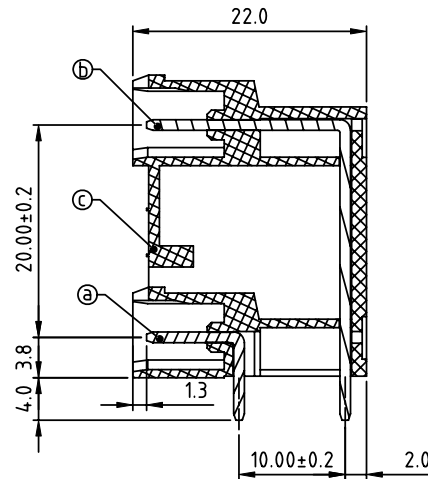
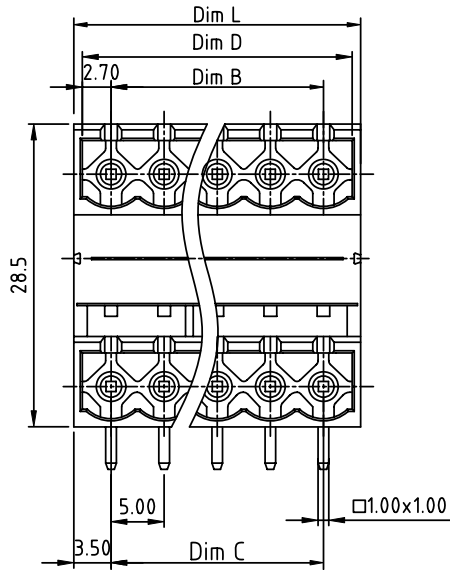
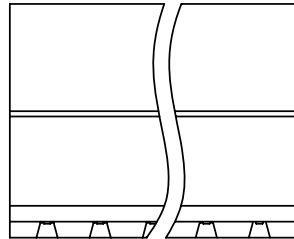
Tel: +86-755-8981 8866 Fax: +86-755-8427 6832

Email & Skype: info@chipsmall.com Web: www.chipsmall.com

Address: A1208, Overseas Decoration Building, #122 Zhenhua RD., Futian, Shenzhen, China



PRODUCT NUMBER	PITCH
VLxx71x100J0G	5.00 mm



RECOMMENDED P.C.B LAYOUT  
TOP VIEW

Material:

- Item@ Short pin: Copper Tin plated
  - ItemⓅ long pin: Copper Tin plated
  - ItemⒸ Terminal(housing): Thermoplastic (UL94 V-0)
- Electrical: cULus
- Voltage rating: 300V
  - Current rating: 20A
  - Withstanding Voltage: 1.6 KV
  - Operating temperature: -40°C to +115°C
  - Soldering temperature: 260°C±5°C/5 Sec
  - Safety Approval: cULus

N=Number of poles  
 Dim L=(N/2-1)×5.0+7.0  
 Dim B=(N/2-1)×5.0  
 Dim C=(N/2-1)×5.0  
 Dim D=N/2×5.0+0.4

PART NO.: VL xx 7 1 x 1 00J0 G

Solid block	0	Black (RAL9005)	RoHS compliant (lead<4%)
No. of poles	2	Red (RAL3001/D)	In copper Alloy
04 2x2poles	3	Orange(RAL2011/P)	
06 2x3poles	4	Yellow(RAL1018/A)	
... ..	5	Green(RAL6018/T)	
48 2x24poles	6	Blue (RAL5015/A)	
	8	Grey(RAL7035/D)	
	9	White(RAL1102)	
	C	Green(RAL6018/U)	

Poles	Tolerance
2×2-2×6p	±0.15
2×7-2×12p	±0.25
2×13-2×18p	±0.35
2×19-2×24p	±0.40

mat'l. code		surface ASME Y14.5	tolerance ASME Y14.5	projection	product family TERMINAL BLOCK
ltr	ecn no	dr	date	tolerances unless otherwise specified	title TERMINAL BLOCK
				angles X±0.5	PLUGGABLE SOCKET,RIGHT ANGLE
				MM	scale
				X'±1"	X.XX±0.1
		dr	EVIN ZHONG	042814	dwg no
		enr	EVIN ZHONG	042814	sheet 1 of 1
		chr	HANKE FENG	042814	VLxx71x100J0G
		appd	SHI JUN	042814	size A4
sheet index	revision	A			type CUSTOMER Drawing
	sheet	1			