



Chipsmall Limited consists of a professional team with an average of over 10 year of expertise in the distribution of electronic components. Based in Hongkong, we have already established firm and mutual-benefit business relationships with customers from,Europe,America and south Asia,supplying obsolete and hard-to-find components to meet their specific needs.

With the principle of “Quality Parts,Customers Priority,Honest Operation,and Considerate Service”,our business mainly focus on the distribution of electronic components. Line cards we deal with include Microchip,ALPS,ROHM,Xilinx,Pulse,ON,Everlight and Freescale. Main products comprise IC,Modules,Potentiometer,IC Socket,Relay,Connector.Our parts cover such applications as commercial,industrial, and automotives areas.

We are looking forward to setting up business relationship with you and hope to provide you with the best service and solution. Let us make a better world for our industry!



Contact us

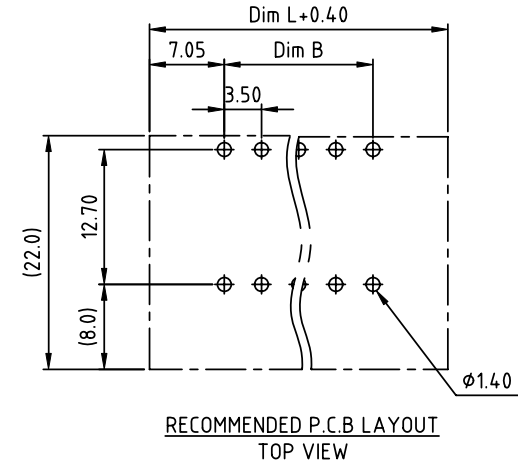
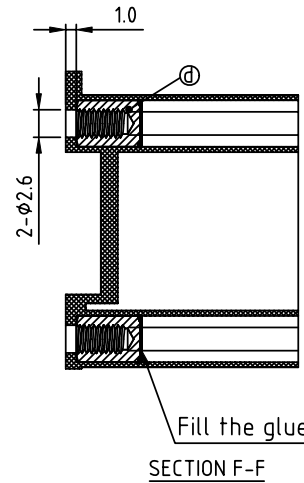
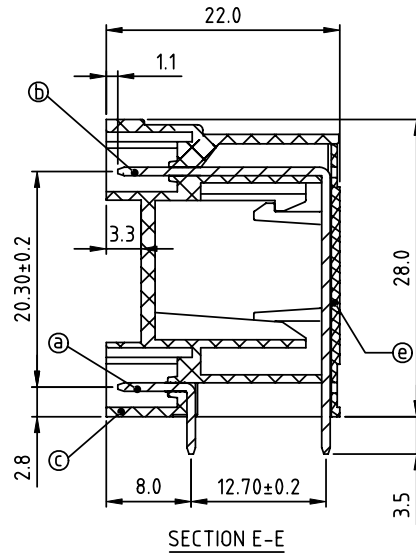
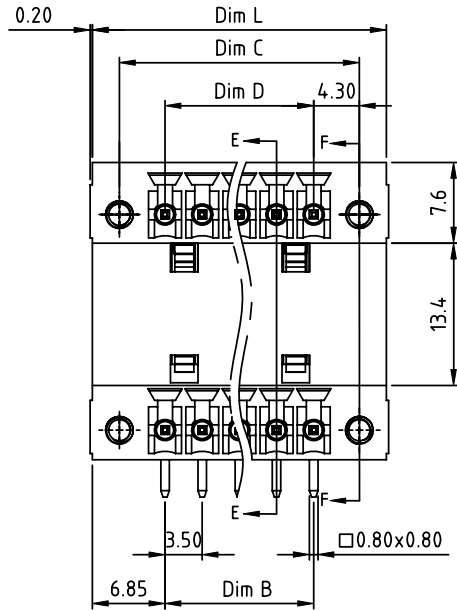
Tel: +86-755-8981 8866 Fax: +86-755-8427 6832

Email & Skype: info@chipsmall.com Web: www.chipsmall.com

Address: A1208, Overseas Decoration Building, #122 Zhenhua RD., Futian, Shenzhen, China



PRODUCT NUMBER	PITCH
VLxx12x100J0G	3.50 mm



- Material:
- ItemⒶ Short pin: Copper Tin plated
 - ItemⒷ Long pin: Copper Tin plated
 - ItemⒸ Terminal(housing): Thermoplastic (UL94V-0)
 - ItemⒹ With flange nut: Brass ,M2.5
 - ItemⒺ Terminal(cover): Thermoplastic (UL94V-0)

- Electrical:
- cULus
 - Voltage rating: 300V
 - Current rating: 10A
 - Withstanding Voltage: 1.6 KV
 - Operating temperature: -40°C to +115°C
 - Soldering temperature: 260°C±5°C/5 Sec
 - Safety Approval:

N=Number of poles
 Dim L=(N/2-1)×3.5+13.7
 Dim B=(N/2-1)×3.5
 Dim C=(N/2-1)×3.5+8.6
 Dim D=(N/2-1)×3.5

Poles	Tolerance
2x2p-2x4p	±0.15
2x5p-2x8p	±0.20
2x9p-2x13p	±0.25
2x13p-2x17p	±0.30
2x18p-2x24p	±0.35

PART NO.: VL xx 1 2 x 1 00J0 G

Solid block	0	Black (RAL9005)	RoHS compliant (lead<4%) In copper Alloy
No. of poles	2	Red (RAL3001/D)	
04 2x2poles	3	Orange(RAL2011/P)	
06 2x3poles	4	Yellow(RAL1018/A)	
... ..	5	Green(RAL6018/T)	
48 2x24poles	6	Blue (RAL5015/A)	
	8	Grey(RAL7035/D)	
	9	White(RAL1102)	
	C	Green(RAL6018/U)	

mat'l. code				surface ASME Y14.5	tolerance ASME Y14.5	projection 	product family TERMINAL BLOCK
ltr	ecn no	dr	date	tolerances unless otherwise specified		MM	title TERMINAL BLOCK
				angles X°±1'	X.±0.5 X.X±0.3 X.XX±0.1	scale	PLUGGABLE SOCKET, WITH FLANGE, RIGHT ANGLE
				dr	EVIN ZHONG 042514		dwg no VLxx12x100J0G
				enr	EVIN ZHONG 042514		sheet 1 of 1
				chr	HANKE FENG 042514		size A4
				appd	SHI JUN 042514		type CUSTOMER Drawing
sheet index	revision sheet	A	1				