



Chipsmall Limited consists of a professional team with an average of over 10 year of expertise in the distribution of electronic components. Based in Hongkong, we have already established firm and mutual-benefit business relationships with customers from,Europe,America and south Asia,supplying obsolete and hard-to-find components to meet their specific needs.

With the principle of “Quality Parts,Customers Priority,Honest Operation,and Considerate Service”,our business mainly focus on the distribution of electronic components. Line cards we deal with include Microchip,ALPS,ROHM,Xilinx,Pulse,ON,Everlight and Freescale. Main products comprise IC,Modules,Potentiometer,IC Socket,Relay,Connector.Our parts cover such applications as commercial,industrial, and automotives areas.

We are looking forward to setting up business relationship with you and hope to provide you with the best service and solution. Let us make a better world for our industry!



Contact us

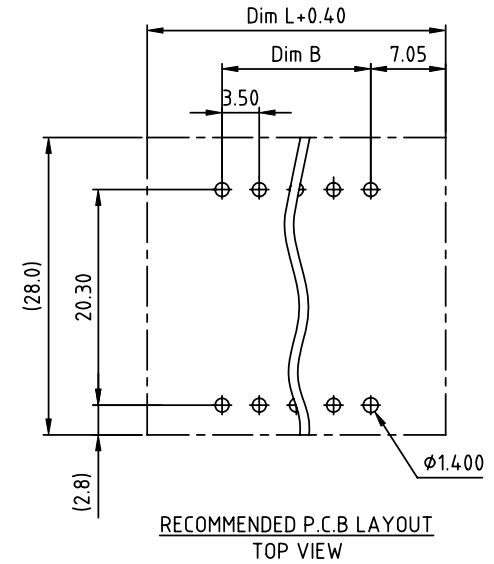
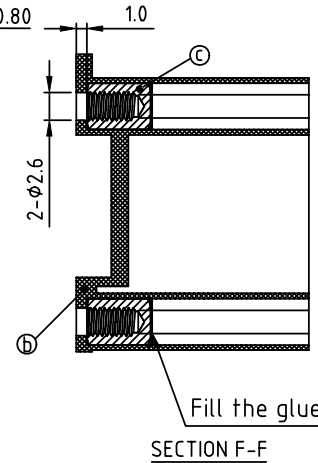
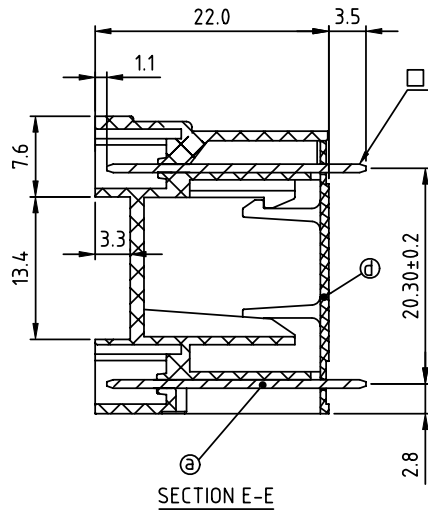
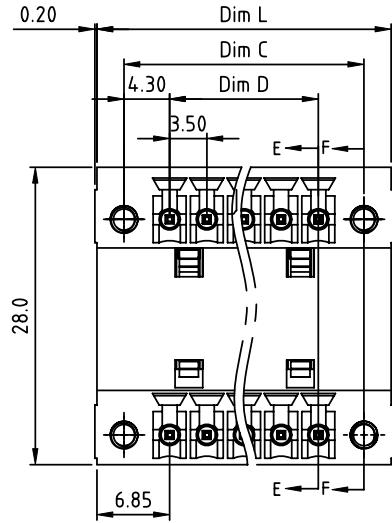
Tel: +86-755-8981 8866 Fax: +86-755-8427 6832

Email & Skype: info@chipsmall.com Web: www.chipsmall.com

Address: A1208, Overseas Decoration Building, #122 Zhenhua RD., Futian, Shenzhen, China



PRODUCT NUMBER	PITCH
VLxx12x000J0G	3.50 mm



- Material:
- Item ⓐPin: Copper Tin plated
 - Item ⓓTerminal(housing): Thermoplastic (UL94V-0)
 - Item ⓐWith flange nut: Brass,M2.5
 - Item ⓐTerminal(cover): Thermoplastic (UL94V-0)
- Electrical: cULus
- Voltage rating: 300V
 - Current rating: 10A
 - Withstanding Voltage: 1.6 KV
 - Operating temperature: -40°C to +115°C
 - Soldering temperature: 260°C±5°C/5 Sec
 - Safety Approval:

N=Number of poles
 Dim L=(N/2-1)×3.5+13.7
 Dim C=(N/2-1)×3.5+8.6
 Dim D=(N/2-1)×3.5

Poles	Tolerance
2x2p-2x4p	±0.15
2x5p-2x8p	±0.20
2x9p-2x13p	±0.25
2x13p-2x17p	±0.30
2x18p-2x24p	±0.35

PART NO.: VL xx 1 2 x 0 00J0 G

	Color	RoHS compliant
Solid block	0 Black (RAL9005)	(lead<4%)
No. of poles	2 Red (RAL3001/D)	In copper Alloy
04 2x2poles	3 Orange(RAL2011/P)	
06 2x3poles	4 Yellow(RAL1018/A)	
...	5 Green(RAL6018/T)	
48 2x24poles	6 Blue (RAL5015/A)	
	8 Grey(RAL7035/D)	
	9 White(RAL1102)	
	C Green(RAL6018/U)	

mat'l. code		surface ASME Y14.5	tolerance ASME Y14.5	projection 	product family TERMINAL BLOCK
ltr	ecn no	dr	date	tolerances unless otherwise specified	title TERMINAL BLOCK
				angles X°±1'	PLUGGABLE SOCKET, WITH FLANGE, VERTICAL
				scale	MM
dr	EVIN ZHONG	042514			dwg no VLxx12x000J0G
enr	EVIN ZHONG	042514			sheet 1 of 1
chr	HANKE FENG	042514			size A4
appd	SHI JUN	042514			type CUSTOMER Drawing
sheet index	revision sheet	A	1		