



Chipsmall Limited consists of a professional team with an average of over 10 year of expertise in the distribution of electronic components. Based in Hongkong, we have already established firm and mutual-benefit business relationships with customers from,Europe,America and south Asia,supplying obsolete and hard-to-find components to meet their specific needs.

With the principle of “Quality Parts,Customers Priority,Honest Operation,and Considerate Service”,our business mainly focus on the distribution of electronic components. Line cards we deal with include Microchip,ALPS,ROHM,Xilinx,Pulse,ON,Everlight and Freescale. Main products comprise IC,Modules,Potentiometer,IC Socket,Relay,Connector.Our parts cover such applications as commercial,industrial, and automotives areas.

We are looking forward to setting up business relationship with you and hope to provide you with the best service and solution. Let us make a better world for our industry!



## Contact us

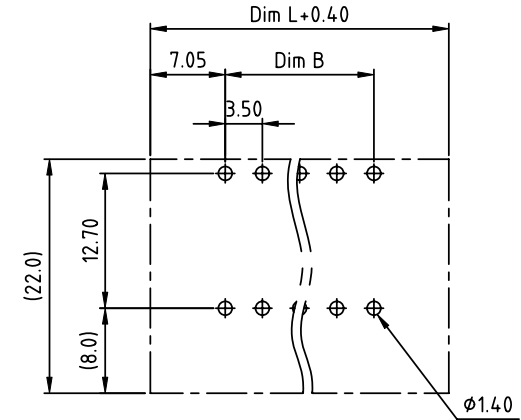
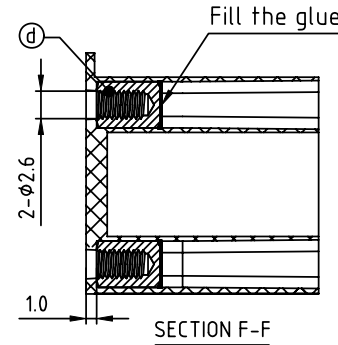
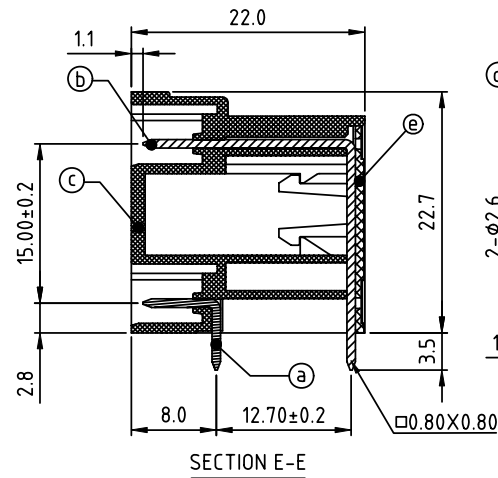
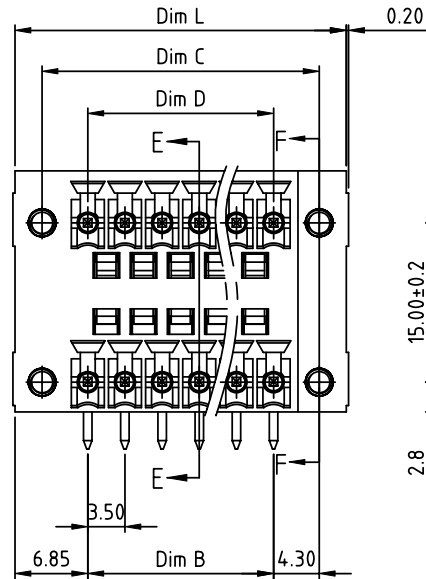
Tel: +86-755-8981 8866 Fax: +86-755-8427 6832

Email & Skype: info@chipsmall.com Web: www.chipsmall.com

Address: A1208, Overseas Decoration Building, #122 Zhenhua RD., Futian, Shenzhen, China



PRODUCT NUMBER	PITCH
VLxx14x100J0G	3.50 mm



RECOMMENDED P.C.B LAYOUT  
TOP VIEW

Material:

- Item①Short pin: Copper Tin plated
  - Item②Long pin :Copper Tin plated
  - Item③Terminal (housing): Thermoplastic (UL94V-0)
  - Item④With flange nut : Brass (CuZn)
  - Item⑤Terminal (cover): Thermoplastic (UL94V-0)
- Electrical cULus
- Voltage rating: 300VAC
  - Current rating: 8A
  - Wire range:
  - Solid wire(AWG):
  - Stranded wire(AWG):
  - Withstanding Voltage: 1.6KV
  - Operating temperature: -40°C to +115°C
  - Soldering temperature: 260°C±5°C/5 Sec
  - Safety Approval:

N = Number of poles  
 Dim L=(N/2-1)×3.5+13.7  
 Dim B=(N/2-1)×3.5  
 Dim C=(N/2-1)×3.5+8.6  
 Dim D=(N/2-1)×3.5

Poles	Tolerance
2×2-2×6p	±0.15
2×7-2×13p	±0.20
2×14-2×18p	±0.25
2×19-2×24p	±0.30

PART NO.: VL xx 1 4 x 1 00J0 G

	Solid block	No. of poles	Color	RoHS compliant
	0	2	Black (RAL9005)	(lead<4%)
	04	2x2poles	Red (RAL3001/D)	In copper Alloy
	06	2x3poles	Orange(RAL2011/P)	
	...	...	Yellow(RAL1018/A)	
	48	2x24poles	Green(RAL6018/T)	
			Blue (RAL5015/A)	
			Grey(RAL7035/D)	
			White(RAL1102)	
			Green(RAL6018/U)	

mat'l. code		surface ASME Y14.5	tolerance ASME Y14.5	projection 	product family TERMINAL BLOCK
ltr	ecn no	dr	date		title TERMINAL BLOCK
				angles φ	PLUGGABLE SOCKET, WITH FLANGE, RIGHT ANGLE, B TYPE
				X±0.5	scale MM
				X.X±0.3	dwg no VLxx14x100J0G
				X°±1°	sheet 1 of 1 size A4
				X.XX±0.1	type CUSTOMER Drawing
dr	ENGR	EVIN ZHONG	042514		
enr		EVIN ZHONG	042514		
chr		HANKE FENG	042514		
appd		SHI JUN	042514		
sheet index	revision sheet	A	1		