



Chipsmall Limited consists of a professional team with an average of over 10 year of expertise in the distribution of electronic components. Based in Hongkong, we have already established firm and mutual-benefit business relationships with customers from,Europe,America and south Asia,supplying obsolete and hard-to-find components to meet their specific needs.

With the principle of “Quality Parts,Customers Priority,Honest Operation,and Considerate Service”,our business mainly focus on the distribution of electronic components. Line cards we deal with include Microchip,ALPS,ROHM,Xilinx,Pulse,ON,Everlight and Freescale. Main products comprise IC,Modules,Potentiometer,IC Socket,Relay,Connector.Our parts cover such applications as commercial,industrial, and automotives areas.

We are looking forward to setting up business relationship with you and hope to provide you with the best service and solution. Let us make a better world for our industry!



## Contact us

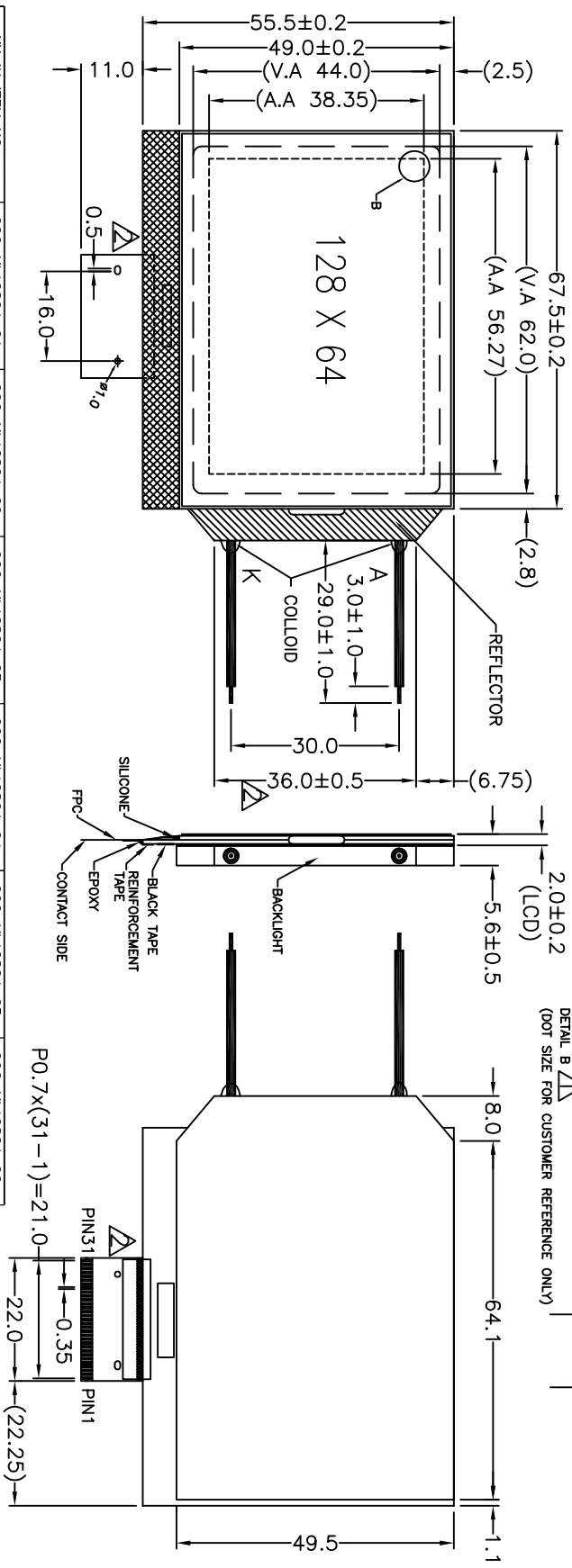
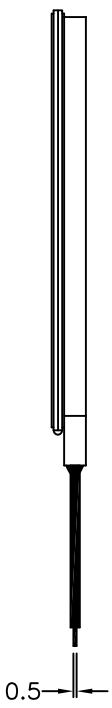
Tel: +86-755-8981 8866 Fax: +86-755-8427 6832

Email & Skype: info@chipsmall.com Web: www.chipsmall.com

Address: A1208, Overseas Decoration Building, #122 Zhenhua RD., Futian, Shenzhen, China



The drawing on this print and information therein are proprietary to Varrtronix and shall not be used in whole or in part without written permission of Varrtronix.



-XX IN ITEM NO.	COG-VL12864-01	COG-VL12864-02	COG-VL12864-03	COG-VL12864-04	COG-VL12864-05	COG-VL12864-06
DISPLAY TYPE	STN, GREEN MODE +VE, TRANSPARENT	STN, BLUE +VE, TRANSPARENT	STN, B&W +VE, TRANSPARENT	STN, B&W +VE, TRANSPARENT	STN, SILVER +VE, TRANSPARENT	STN, B&W +VE, TRANSPARENT
DISPLAY RESOLUTION	128 x 64 DOTS	128 x 64 DOTS	128 x 64 DOTS	128 x 64 DOTS	128 x 64 DOTS	128 x 64 DOTS
VIEWING ANGLE	6.0° CLOCK	6.0° CLOCK	6.0° CLOCK	6.0° CLOCK	6.0° CLOCK	6.0° CLOCK
MUX RATIO AND BIAS LEVEL	1/85 DUTY, 1/9 BIAS	1/65 DUTY, 1/9 BIAS	1/65 DUTY, 1/9 BIAS	1/65 DUTY, 1/9 BIAS	1/65 DUTY, 1/9 BIAS	1/85 DUTY, 1/9 BIAS
LCD CONTROLLER /DRIVER	S1D15605	S1D15605	S1D15605	S1D15605	S1D15605	S1D15605
LOGIC VOLTAGE	5.0V	5.0V	5.0V	5.0V	5.0V	5.0V
LCD DRIVING VOLTAGE	~9.5V	~9.2V	~9.2V	~9.2V	~9.5V	~9.2V
OPERATION TEMPERATURE	0°C to +50°C	0°C to +50°C	0°C to +50°C	0°C to +50°C	0°C to +50°C	0°C to +50°C
STORAGE TEMPERATURE	-10°C to +60°C	-10°C to +60°C	-10°C to +60°C	-10°C to +60°C	-10°C to +60°C	-10°C to +60°C
REMARK	WITHOUT BACKLIGHT REFER TO SHEET 2	WITH BACKLIGHT, COLOR: BLUE, VLED: 3.4V REFER TO SHEET 1	WITHOUT BACKLIGHT, COLOR: WHITE, VLED: 3.4V REFER TO SHEET 1	WITHOUT BACKLIGHT, COLOR: WHITE, VLED: 3.4V REFER TO SHEET 2	WITH BACKLIGHT, COLOR: WHITE, VLED: 3.4V REFER TO SHEET 1	WITH BACKLIGHT, COLOR: WHITE, VLED: 3.4V REFER TO SHEET 1

**PIN ASSIGNMENT:**

1	2	3	4	5	6	7	8	9	10	11	12	13	14	15	16	17	18
IRS	TRM	P/S	C86	VR	V5	V4	V3	V2	V1	CAP2+	CAP2-	CAP1-	CAP1+	CAP3-	VOUT	VSS	VDD
D7	D6	D5	D4	D3	D2	D1	D0	E_RD	RW_WR	AO	CST	RESET					

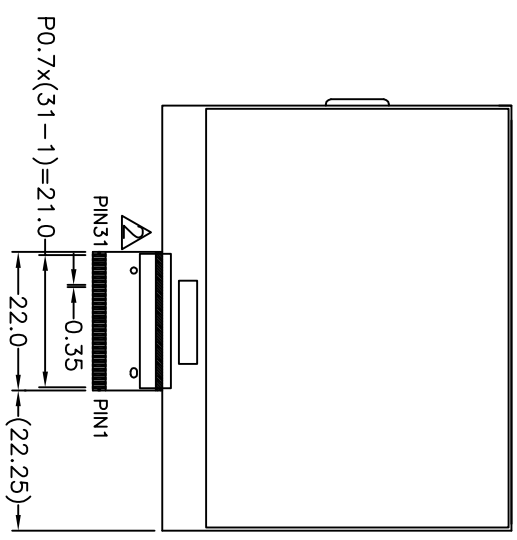
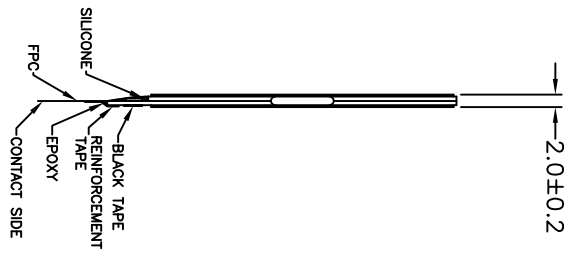
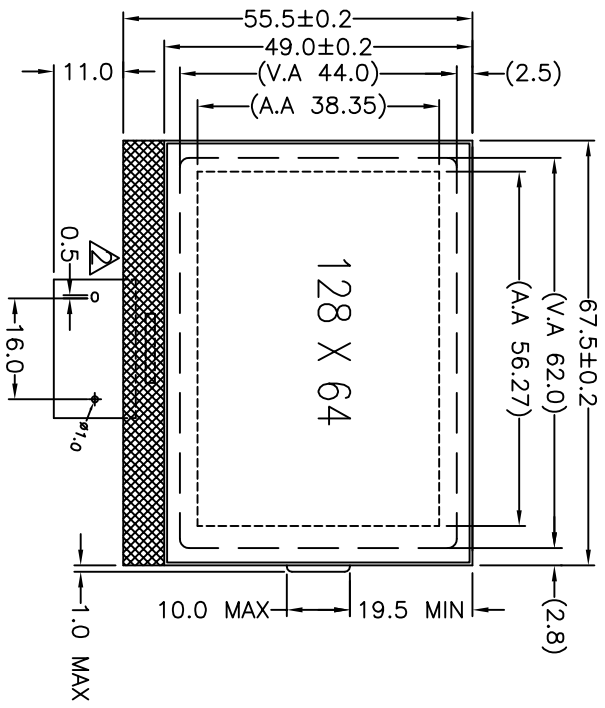
- NOTES:**
- SPECIAL CHARACTERISTIC
  - SHEET CHARACTERISTIC
  - SHEET DIMENSION
  - REFERENCE DIMENSION

**VARRTRONIX LIMITED**

ISSUE	AMENDMENT	DATE
1	ADD DETAIL B	05.01.03
6	UPDATE THE HOLE OF FPC / ADD NEW ITEM OF -05 / UPDATE TOLERANCE	07.10.17
1	ADD NEW ITEM OF -06	09.07.10

<b>TITLE:MODULE SPEC</b>	
<b>PROJECT NO:COG-VL12864</b>	
TOLERANCE UNLESS OTHERWISE SPECIFIED:	X.X ±0.3 X.XX ±0.1 ANGULAR: ± 1°
MATERIAL: N/A	FINISH: N/A
SCALE: DO NOT ON SCALE OVERALL THK: SEE DWG	
<b>THIRD ANGLE PROJECTION</b>	
DRAWN: KEVIN CHOU	SIGN DATE
CHECKED: HELLEN HE	
APPROVED: CHARM	
<b>ITEM NO.:COG-VL12864-XX</b>	
<b>DESCRIPTION:COG-VL12864-XX MODULE SPEC</b>	
<b>FILE NO:COG-VL12864-XX R3.DWG/REV: 3</b>	
<b>SHEET 1</b>	<b>OF 2</b>

The drawing on this print and information therein is proprietary to Varrtronix and shall not be used in whole or in part without written permission of Varrtronix.



**NOTES:**

1. ◇ : SPECIAL CHARACTERISTIC
2. + : SAFETY CHARACTERISTIC
3. ▽ : CRITICAL DIMENSION
4. (...): REFERENCE DIMENSION

1 2 3 4 5 6

A B C D

**VARRTRONIX**

**VARRTRONIX LIMITED**

**TITLE: MODULE SPEC**

**ITEM NO.: COG-VL12864-XX**

**FILE NO: COG-VL12864-XX R3.DWG REV: 3**

**SHEET 2 OF 2**