



Chipsmall Limited consists of a professional team with an average of over 10 year of expertise in the distribution of electronic components. Based in Hongkong, we have already established firm and mutual-benefit business relationships with customers from,Europe,America and south Asia,supplying obsolete and hard-to-find components to meet their specific needs.

With the principle of “Quality Parts,Customers Priority,Honest Operation,and Considerate Service”,our business mainly focus on the distribution of electronic components. Line cards we deal with include Microchip,ALPS,ROHM,Xilinx,Pulse,ON,Everlight and Freescale. Main products comprise IC,Modules,Potentiometer,IC Socket,Relay,Connector.Our parts cover such applications as commercial,industrial, and automotives areas.

We are looking forward to setting up business relationship with you and hope to provide you with the best service and solution. Let us make a better world for our industry!



Contact us

Tel: +86-755-8981 8866 Fax: +86-755-8427 6832

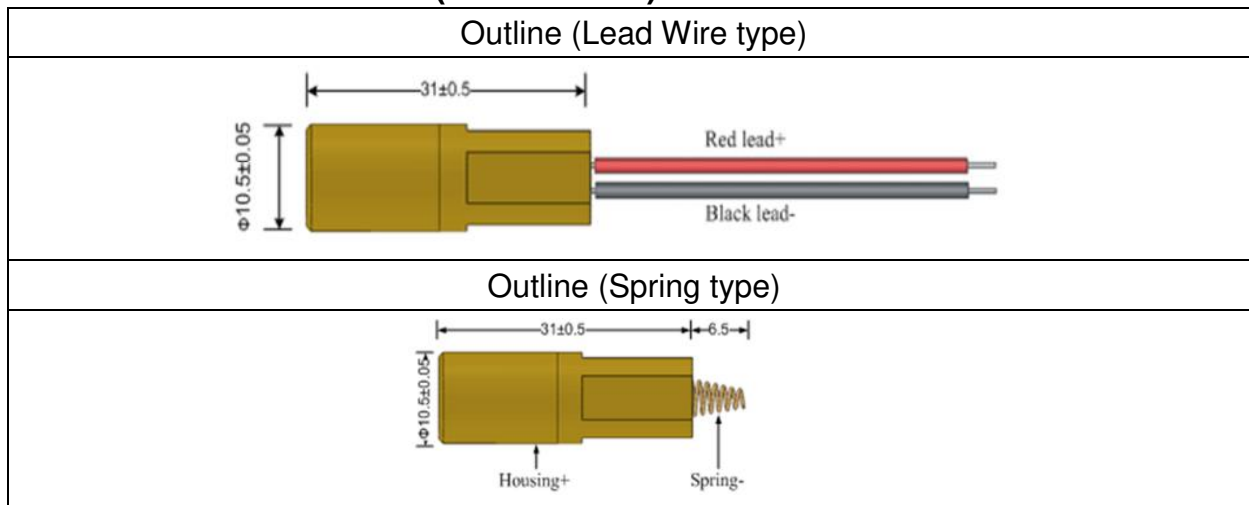
Email & Skype: info@chipsmall.com Web: www.chipsmall.com

Address: A1208, Overseas Decoration Building, #122 Zhenhua RD., Futian, Shenzhen, China



VLM-520-53-Series

OUTLINE DIMENSIONS (UNITS: mm)



SPECIFICATIONS		VLM-520-53			
		LPT	LPA	SPT	SPA
1	Dimensions	ø 10.5 x 31 mm (ø 0.414" x 1.22")		ø 10.5 x 37.5 mm (ø 0.414" x 1.47")	
2	Weight	9g+/-0.5g			
3	Operating voltage (Vop)	3~5 VDC			
4	Operating current (Iop)	<100mA			
5	Continuous wave output power (Po)	<1mW	<4mW	<1mW	<4mW
6	Wavelength at peak emission (λp)	510~530nm			
7	Collimating Lens	Aspherical Glass lens(ø 6.35)			
8	Output Aperture	5mm			
9	Beam Shape	Dot			
10	Spot size at 10M	5±1mm			
11	Divergence(Half Angle)	0.4mRad			
12	Operating temp. range	-20°C ~ +60°C			
13	Storage temp. range	-20°C ~ +85°C			
14	Housing Material	Bronze			
15	Housing Color	Brass			
16	Potential of Housing	VDD(+)		VDD(+)	
17	Wire Type	1007-26 AWG		Spring	
18	Cable length	127mm		6.5mm	
19	Mean time to failure(MTTF) 25°C	10000hrs			