



Chipsmall Limited consists of a professional team with an average of over 10 year of expertise in the distribution of electronic components. Based in Hongkong, we have already established firm and mutual-benefit business relationships with customers from,Europe,America and south Asia,supplying obsolete and hard-to-find components to meet their specific needs.

With the principle of "Quality Parts,Customers Priority,Honest Operation,and Considerate Service",our business mainly focus on the distribution of electronic components. Line cards we deal with include Microchip,ALPS,ROHM,Xilinx,Pulse,ON,Everlight and Freescale. Main products comprise IC,Modules,Potentiometer,IC Socket,Relay,Connector.Our parts cover such applications as commercial,industrial, and automotives areas.

We are looking forward to setting up business relationship with you and hope to provide you with the best service and solution. Let us make a better world for our industry!



Contact us

Tel: +86-755-8981 8866 Fax: +86-755-8427 6832

Email & Skype: info@chipsmall.com Web: www.chipsmall.com

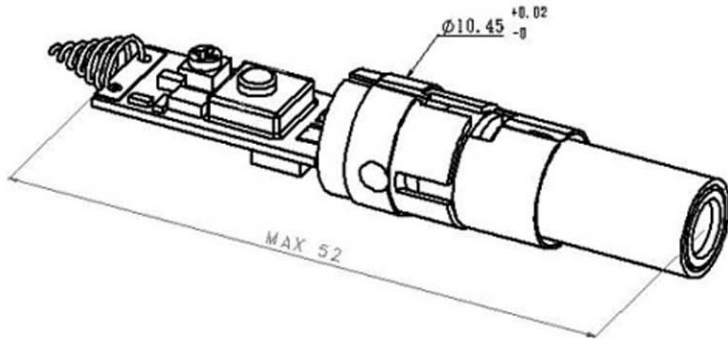
Address: A1208, Overseas Decoration Building, #122 Zhenhua RD., Futian, Shenzhen, China



MODEL TYPE

VLM-532-42 SCA

OUTLINE DIMENSIONS (UNITS: mm)



1. Miniature highlight green laser module for laser pointer applications.
2. Compact size for general applications.
3. The brass housing for better heat dispersion.
4. Multiple glass lenses included for high quality laser focus.
5. High electric stability laser driver included.

SPECIFICATIONS	532-42 LCA
Operating voltage (Vop)	2.7 ~ 3.3V
Operating current (Iop)	200 ~ 300 mA
Cw output power (Po)	Class IIIa, CW mode
Output power stability	< 10% @ 25°C after 10 minutes warm up
Wavelength (λ p)	532nm
Power source	Alkaline battery (Not included)
Housing	Brass
Spot size (∅)	< 5mm @ 3m
Mean time to failure (MTTF)	> 4000 hrs
Operating temp. range	+20°C ~ +30°C