



Chipsmall Limited consists of a professional team with an average of over 10 year of expertise in the distribution of electronic components. Based in Hongkong, we have already established firm and mutual-benefit business relationships with customers from,Europe,America and south Asia,supplying obsolete and hard-to-find components to meet their specific needs.

With the principle of “Quality Parts,Customers Priority,Honest Operation,and Considerate Service”,our business mainly focus on the distribution of electronic components. Line cards we deal with include Microchip,ALPS,ROHM,Xilinx,Pulse,ON,Everlight and Freescale. Main products comprise IC,Modules,Potentiometer,IC Socket,Relay,Connector.Our parts cover such applications as commercial,industrial, and automotives areas.

We are looking forward to setting up business relationship with you and hope to provide you with the best service and solution. Let us make a better world for our industry!



Contact us

Tel: +86-755-8981 8866 Fax: +86-755-8427 6832

Email & Skype: info@chipsmall.com Web: www.chipsmall.com

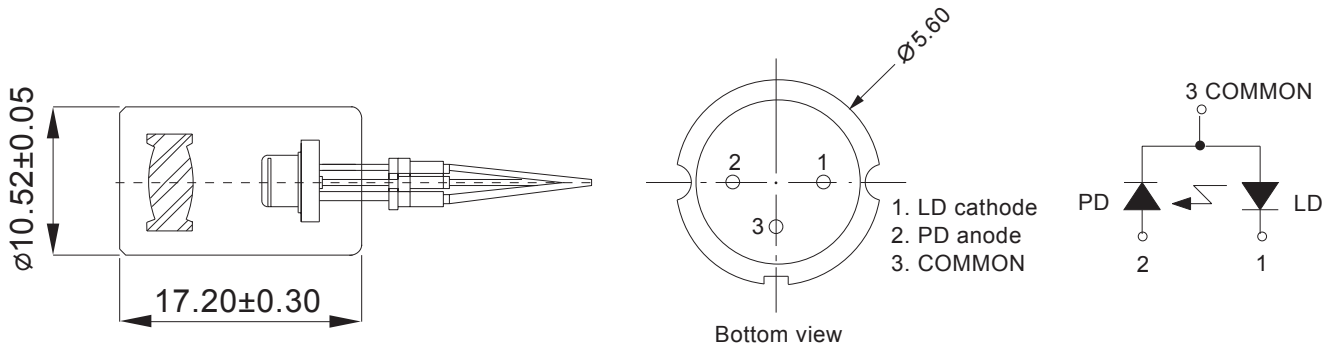
Address: A1208, Overseas Decoration Building, #122 Zhenhua RD., Futian, Shenzhen, China



MODEL TYPE

□ VLM-635-00 / VLM-650-00

OUTLINE DIMENSIONS (UNITS: mm)



1. This model integrated optic and laser diode into a solid brass construction, provides an adjustable focus function by request, with no driver circuit.
2. Users can adapt their own APC driver circuit for their professional applications.
3. Can be modulated up to 500 KHz.
4. The efficiency of collimating lens is 70%, do not drive the laser over 3.5mW.

SPECIFICATIONS	635-00	650-00
Operating voltage (Vop) □	2.1 ~ 2.6 V	
Operating current (Iop) □	40±15mA	
Cw output power (Po)	≤ 3mW	
Wavelength at peak emission (λ p)	630 ~ 645nm	645 ~ 665nm
Collimating lens □	Aspherical plastic (ϕ7)	
Housing □	Brass	
Spot size at 5m □	6±2mm	
Divergence □	1.6 mrad	
Mean time to failure (MTTF) 3mW 25°C □	5000 hrs	10000 hrs
Operating temp. range □	+10°C ~ +40°C	
Storage temp. range	-20°C ~ +65°C	