



Chipsmall Limited consists of a professional team with an average of over 10 year of expertise in the distribution of electronic components. Based in Hongkong, we have already established firm and mutual-benefit business relationships with customers from,Europe,America and south Asia,supplying obsolete and hard-to-find components to meet their specific needs.

With the principle of “Quality Parts,Customers Priority,Honest Operation,and Considerate Service”,our business mainly focus on the distribution of electronic components. Line cards we deal with include Microchip,ALPS,ROHM,Xilinx,Pulse,ON,Everlight and Freescale. Main products comprise IC,Modules,Potentiometer,IC Socket,Relay,Connector.Our parts cover such applications as commercial,industrial, and automotives areas.

We are looking forward to setting up business relationship with you and hope to provide you with the best service and solution. Let us make a better world for our industry!



Contact us

Tel: +86-755-8981 8866 Fax: +86-755-8427 6832

Email & Skype: info@chipsmall.com Web: www.chipsmall.com

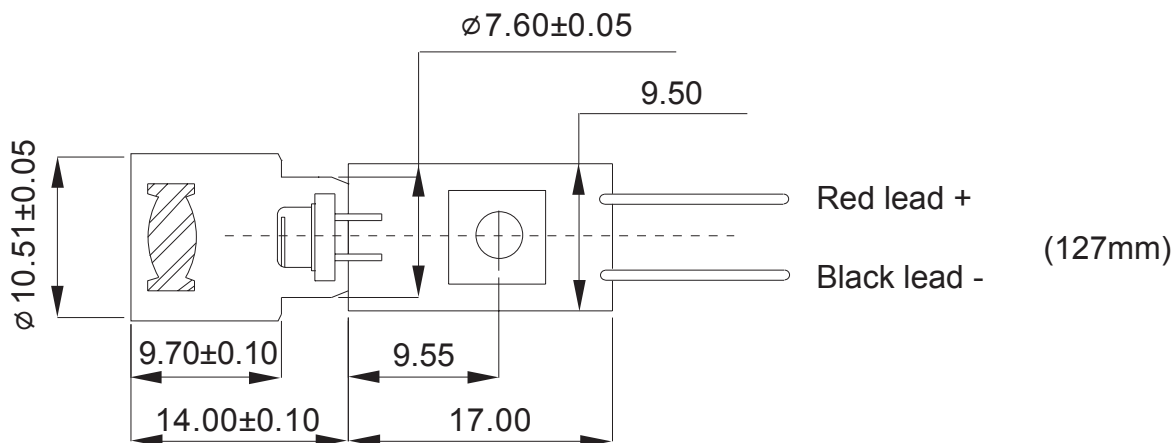
Address: A1208, Overseas Decoration Building, #122 Zhenhua RD., Futian, Shenzhen, China



MODEL TYPE

- VLM-635-09 LPA / VLM-635-09 LPT
- VLM-650-09 LPA / VLM-650-09 LPT

OUTLINE DIMENSIONS (UNITS: mm)



1. Basic model for general laser sighting applications.
2. This model integrated optic, laser diode into a patented solid zinc alloy structure for the most economical and the choice of laser pointer applications
3. Provides an adjustable focus function by request.
4. With a built-in switch on the PCB.
5. Options: Connection type: Spring / Lead wire (Spring type: by order).
Output power: Class II - less than 1mW / Class IIIa - less than 5mW.
6. E.S.D. protection 15KV.

SPECIFICATIONS	635-09	650-09
Operating voltage (Vop) <input type="checkbox"/>	3 ~ 5V	
Operating current (Iop) <input type="checkbox"/>	40±15mA	
Cw output power (Po)	≤ 3mW	
Wavelength at peak emission (λ p)	630 ~ 645nm	645 ~ 665nm
Collimating lens <input type="checkbox"/>	Aspherical plastic (ϕ7)	
Housing <input type="checkbox"/>	Zinc alloy	
Spot size at 5m <input type="checkbox"/>	6±2mm	
Divergence <input type="checkbox"/>	1.6 mrad	
Mean time to failure (MTTF) 3mW 25°C <input type="checkbox"/>	5000 hrs	10000 hrs
Operating temp. range <input type="checkbox"/>	+10°C ~ +40°C	
Storage temp. range <input type="checkbox"/>	-20°C ~ +65°C	