



Chipsmall Limited consists of a professional team with an average of over 10 year of expertise in the distribution of electronic components. Based in Hongkong, we have already established firm and mutual-benefit business relationships with customers from,Europe,America and south Asia,supplying obsolete and hard-to-find components to meet their specific needs.

With the principle of “Quality Parts,Customers Priority,Honest Operation,and Considerate Service”,our business mainly focus on the distribution of electronic components. Line cards we deal with include Microchip,ALPS,ROHM,Xilinx,Pulse,ON,Everlight and Freescale. Main products comprise IC,Modules,Potentiometer,IC Socket,Relay,Connector.Our parts cover such applications as commercial,industrial, and automotives areas.

We are looking forward to setting up business relationship with you and hope to provide you with the best service and solution. Let us make a better world for our industry!



Contact us

Tel: +86-755-8981 8866 Fax: +86-755-8427 6832

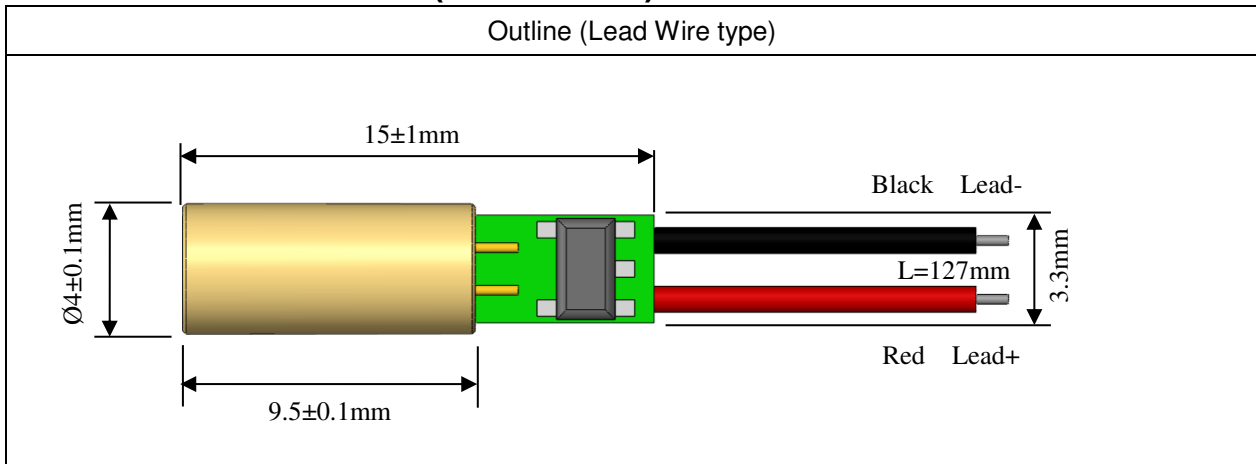
Email & Skype: info@chipsmall.com Web: www.chipsmall.com

Address: A1208, Overseas Decoration Building, #122 Zhenhua RD., Futian, Shenzhen, China



VLM-650-22-Series

OUTLINE DIMENSIONS (UNITS: mm)



SPECIFICATIONS

SPECIFICATIONS		VLM-650-22	
		LPT	LPA
1	Dimensions	$\varnothing 4 \times 15$ mm ($\varnothing 0.157" \times 0.59"$)	
2	Operating voltage (Vop)	3~5 VDC	
3	Operating current (Iop)	20 ± 5 mA	20 ± 5 mA
4	Continuous wave output power (Po)	0.7 ± 0.2 mW	3 ± 0.5 mW
5	Wavelength at peak emission (λ_p)	645~660 nm	
6	Collimating Lens	Glass Lens ($\varnothing 3$)	
7	Spot size at 5M	10 ± 1 mm	
8	Divergence(Half Angle)	2.5 mRad	
9	Operating temp. range	$-10^\circ\text{C} \sim +50^\circ\text{C}$	
10	Storage temp. range	$-20^\circ\text{C} \sim +65^\circ\text{C}$	
11	Housing	Brass	
12	Mean time to failure(MTTF) 25°C	5000hrs	

Note : Laser module housing is an electrical positive surface, it is imperative that contact between the laser module and the machine be avoided. This is to prevent damage from the machine electrical leakage. Surge protected power supply to the laser module is strongly recommended.