



Chipsmall Limited consists of a professional team with an average of over 10 year of expertise in the distribution of electronic components. Based in Hongkong, we have already established firm and mutual-benefit business relationships with customers from,Europe,America and south Asia,supplying obsolete and hard-to-find components to meet their specific needs.

With the principle of “Quality Parts,Customers Priority,Honest Operation,and Considerate Service”,our business mainly focus on the distribution of electronic components. Line cards we deal with include Microchip,ALPS,ROHM,Xilinx,Pulse,ON,Everlight and Freescale. Main products comprise IC,Modules,Potentiometer,IC Socket,Relay,Connector.Our parts cover such applications as commercial,industrial, and automotives areas.

We are looking forward to setting up business relationship with you and hope to provide you with the best service and solution. Let us make a better world for our industry!



Contact us

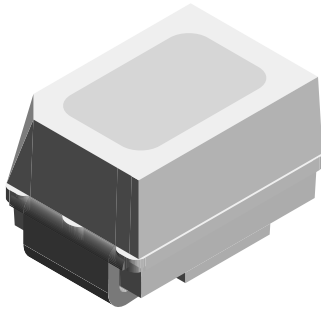
Tel: +86-755-8981 8866 Fax: +86-755-8427 6832

Email & Skype: info@chipsmall.com Web: www.chipsmall.com

Address: A1208, Overseas Decoration Building, #122 Zhenhua RD., Futian, Shenzhen, China



Standard Mini SMD LED



19226

DESCRIPTION

The new MiniLED series has been designed in a small white SMT package. The feature of the device is the very small package 2.3 mm x 1.3 mm x 1.4 mm. The MiniLED is an obvious solution for small-scale, high-power products that are expected to work reliably in an arduous environment. This is often the case in automotive and industrial application of course.

PRODUCT GROUP AND PACKAGE DATA

- Product group: LED
- Package: SMD MiniLED
- Product series: standard
- Angle of half intensity: $\pm 60^\circ$

FEATURES

- SMD LEDs with exceptional brightness
- Luminous intensity categorized
- Compatible with automatic placement equipment
- EIA and ICE standard package
- IR reflow soldering
- Available in 8 mm tape
- Low profile package
- Non-diffused lens: excellent for coupling to light pipes and backlighting
- Low power consumption
- ESD-withstand voltage: up to 2 kV (HBM) according to JESD22-A114-B
- Luminous intensity ratio in one packaging unit $I_{Vmax}/I_{Vmin.} \leq 1.6$
- Preconditioning according to JEDEC® level 2a
- Material categorization: for definitions of compliance please see www.vishay.com/doc?99912



APPLICATIONS

- Automotive: backlighting in dashboards and switches
- Telecommunication: indicator and backlighting in telephone and fax
- Indicator and backlight for audio and video equipment
- Indicator and backlight in office equipment
- Flat backlight for LCDs, switches, and symbols
- General use

PARTS TABLE

| PART | COLOR | LUMINOUS INTENSITY (mcd) | | | at I _F (mA) | WAVELENGTH (nm) | | | at I _F (mA) | FORWARD VOLTAGE (V) | | | at I _F (mA) | TECHNOLOGY |
|-----------------|-------------|--------------------------|------|------|------------------------|-----------------|------|------|------------------------|---------------------|------|------|------------------------|--------------|
| | | MIN. | TYP. | MAX. | | MIN. | TYP. | MAX. | | MIN. | TYP. | MAX. | | |
| VLMS2100-GS08 | Red | 2.8 | 7.0 | - | 10 | 624 | 628 | 636 | 10 | - | 2.1 | 3 | 20 | GaAsP on GaP |
| VLMS21H2K1-GS08 | Red | 3.55 | 7.0 | 9 | 10 | 624 | 628 | 636 | 10 | - | 2.1 | 3 | 20 | GaAsP on GaP |
| VLMS21J2L1-GS08 | Red | 5.6 | 7.0 | 14 | 10 | 624 | 628 | 636 | 10 | - | 2.1 | 3 | 20 | GaAsP on GaP |
| VLMS21H2L1-GS08 | Red | 3.55 | 7.0 | 14 | 10 | 624 | 628 | 636 | 10 | - | 2.1 | 3 | 20 | GaAsP on GaP |
| VLMO2100-GS08 | Soft orange | 3.55 | 7.3 | - | 10 | 598 | 605 | 611 | 10 | - | 2.1 | 3 | 20 | GaAsP on GaP |
| VLMO21H2K1-GS08 | Soft orange | 3.55 | 7.3 | 9 | 10 | 598 | 605 | 611 | 10 | - | 2.1 | 3 | 20 | GaAsP on GaP |
| VLMO21J2L1-GS08 | Soft orange | 5.6 | 7.3 | 14 | 10 | 598 | 605 | 611 | 10 | - | 2.1 | 3 | 20 | GaAsP on GaP |
| VLMO21H2L1-GS08 | Soft orange | 3.55 | 7.3 | 14 | 10 | 598 | 605 | 611 | 10 | - | 2.1 | 3 | 20 | GaAsP on GaP |
| VLMY2100-GS08 | Yellow | 3.55 | 7.7 | - | 10 | 581 | 588 | 594 | 10 | - | 2.2 | 3 | 20 | GaAsP on GaP |
| VLMY21H2K1-GS08 | Yellow | 3.55 | 7.7 | 9 | 10 | 581 | 588 | 594 | 10 | - | 2.2 | 3 | 20 | GaAsP on GaP |
| VLMY21J2L1-GS08 | Yellow | 5.6 | 7.7 | 14 | 10 | 581 | 588 | 594 | 10 | - | 2.2 | 3 | 20 | GaAsP on GaP |
| VLMY21H2L1-GS08 | Yellow | 3.55 | 7.7 | 14 | 10 | 581 | 588 | 594 | 10 | - | 2.2 | 3 | 20 | GaAsP on GaP |

**ABSOLUTE MAXIMUM RATINGS** ($T_{amb} = 25\text{ }^{\circ}\text{C}$, unless otherwise specified)
VLMS21.., VLMO21.., VLMY21..

| PARAMETER | TEST CONDITION | SYMBOL | VALUE | UNIT |
|-------------------------------------|---|------------|-------------|--------------------|
| Reverse voltage ⁽¹⁾ | | V_R | 6 | V |
| DC forward current | $T_{amb} \leq 60\text{ }^{\circ}\text{C}$ | I_F | 30 | mA |
| Surge forward current | $t_p \leq 10\text{ }\mu\text{s}$ | I_{FSM} | 0.5 | A |
| Power dissipation | | P_V | 95 | mW |
| Junction temperature | | T_j | +100 | $^{\circ}\text{C}$ |
| Operating temperature range | | T_{amb} | -40 to +100 | $^{\circ}\text{C}$ |
| Storage temperature range | | T_{stg} | -40 to +100 | $^{\circ}\text{C}$ |
| Thermal resistance junction/ambient | Mounted on PC board (pad size > 5 mm ²) | R_{thJA} | 480 | K/W |

Note

⁽¹⁾ Driving the LED in reverse direction is suitable for a short term application

OPTICAL AND ELECTRICAL CHARACTERISTICS ($T_{amb} = 25\text{ }^{\circ}\text{C}$, unless otherwise specified)
VLMS21.., RED

| PARAMETER | TEST CONDITION | PARTS | SYMBOL | MIN. | TYP. | MAX. | UNIT |
|-----------------------------------|---|------------|-------------|------|----------|------|------|
| Luminous intensity ⁽¹⁾ | $I_F = 10\text{ mA}$ | VLMS2100 | I_V | 2.8 | 7.0 | - | mcd |
| | $I_F = 10\text{ mA}$ | VLMS21H2K1 | I_V | 3.55 | 7.0 | 9 | mcd |
| | $I_F = 10\text{ mA}$ | VLMS21J2L1 | I_V | 5.6 | 7.0 | 14 | mcd |
| | $I_F = 10\text{ mA}$ | VLMS21H2L1 | I_V | 3.55 | 7.0 | 14 | mcd |
| Dominant wavelength | $I_F = 10\text{ mA}$ | | λ_d | 624 | 628 | 636 | nm |
| Peak wavelength | $I_F = 10\text{ mA}$ | | λ_p | - | 640 | - | nm |
| Angle of half intensity | $I_F = 10\text{ mA}$ | | j | - | ± 60 | - | deg |
| Forward voltage | $I_F = 20\text{ mA}$ | | V_F | - | 2.1 | 3 | V |
| Reverse voltage | $I_R = 10\text{ }\mu\text{A}$ | | V_R | 6 | 15 | - | V |
| Junction capacitance | $V_R = 0\text{ V}$, $f = 1\text{ MHz}$ | | C_j | - | 15 | - | pF |

Note

⁽¹⁾ In one packing unit $I_{Vmax}/I_{Vmin} \leq 1.6$

OPTICAL AND ELECTRICAL CHARACTERISTICS ($T_{amb} = 25\text{ }^{\circ}\text{C}$, unless otherwise specified)
VLMO21.., SOFT ORANGE

| PARAMETER | TEST CONDITION | PARTS | SYMBOL | MIN. | TYP. | MAX. | UNIT |
|-----------------------------------|---|------------|-------------|------|----------|------|------|
| Luminous intensity ⁽¹⁾ | $I_F = 10\text{ mA}$ | VLMO2100 | I_V | 3.55 | 7.3 | - | mcd |
| | $I_F = 10\text{ mA}$ | VLMO21H2K1 | I_V | 3.55 | 7.3 | 9 | mcd |
| | $I_F = 10\text{ mA}$ | VLMO21J2L1 | I_V | 5.6 | 7.3 | 14 | mcd |
| | $I_F = 10\text{ mA}$ | VLMO21H2L1 | I_V | 3.55 | 7.3 | 14 | mcd |
| Dominant wavelength | $I_F = 10\text{ mA}$ | | λ_d | 598 | 605 | 611 | nm |
| Peak wavelength | $I_F = 10\text{ mA}$ | | λ_p | - | 605 | - | nm |
| Angle of half intensity | $I_F = 10\text{ mA}$ | | j | - | ± 60 | - | deg |
| Forward voltage | $I_F = 20\text{ mA}$ | | V_F | - | 2.1 | 3 | V |
| Reverse voltage | $I_R = 10\text{ }\mu\text{A}$ | | V_R | 6 | 15 | - | V |
| Junction capacitance | $V_R = 0\text{ V}$, $f = 1\text{ MHz}$ | | C_j | - | 15 | - | pF |

Note

⁽¹⁾ In one packing unit $I_{Vmax}/I_{Vmin} \leq 1.6$



| OPTICAL AND ELECTRICAL CHARACTERISTICS (T _{amb} = 25 °C, unless otherwise specified) | | | | | | | |
|---|---------------------------------|------------|----------------|------|------|------|------|
| VLMY21.., YELLOW | | | | | | | |
| PARAMETER | TEST CONDITION | PARTS | SYMBOL | MIN. | TYP. | MAX. | UNIT |
| Luminous intensity (1) | I _F = 10 mA | VLMY2100 | I _V | 3.55 | 7.7 | - | mcd |
| | I _F = 10 mA | VLMY21H2K1 | I _ζ | 3.55 | 7.7 | 9 | mcd |
| | I _F = 10 mA | VLMY21J2L1 | I _V | 5.6 | 7.7 | 14 | mcd |
| | I _F = 10 mA | VLMY21H2L1 | I _V | 3.55 | 7.7 | 14 | mcd |
| Dominant wavelength | I _F = 10 mA | | λ _d | 581 | 588 | 594 | nm |
| Peak wavelength | I _F = 10 mA | | λ _p | - | 585 | - | nm |
| Angle of half intensity | I _F = 10 mA | | φ | - | ± 60 | - | deg |
| Forward voltage | I _F = 20 mA | | V _F | - | 2.2 | 3 | V |
| Reverse voltage | I _R = 10 μA | | V _R | 6 | 15 | - | V |
| Junction capacitance | V _R = 0 V, f = 1 MHz | | C _j | - | 15 | - | pF |

Note

(1) In one packing unit I_{Vmax}/I_{Vmin} ≤ 1.6

| LUMINOUS INTENSITY CLASSIFICATION | | | | |
|-----------------------------------|-----------------------|----------|------|-----|
| GROUP | LIGHT INTENSITY (mcd) | | | |
| | STANDARD | OPTIONAL | MIN | MAX |
| H | 1 | 2.8 | 3.55 | |
| | 2 | 3.55 | 4.5 | |
| J | 1 | 4.5 | 5.6 | |
| | 2 | 5.6 | 7.1 | |
| K | 1 | 7.1 | 9.0 | |
| | 2 | 9.0 | 11.2 | |
| L | 1 | 11.2 | 14.0 | |
| | 2 | 14.0 | 18.0 | |
| M | 1 | 18.0 | 22.4 | |
| | 2 | 22.4 | 28.0 | |
| N | 1 | 28.0 | 35.5 | |
| | 2 | 35.5 | 45.0 | |

Note

- Luminous intensity is tested at a current pulse duration of 25 ms and an accuracy of ± 11 %.
- The above type numbers represent the order groups which include only a few brightness groups. Only one group will be shipped on each reel (there will be no mixing of two groups on each reel).
- In order to ensure availability, single brightness groups will not be orderable.
- In a similar manner for colors where wavelength groups are measured and binned, single wavelength groups will be shipped on any one reel.
- In order to ensure availability, single wavelength groups will not be orderable.

| COLOR CLASSIFICATION | | | | |
|----------------------|----------------------|------|-------------|------|
| GROUP | YELLOW | | SOFT ORANGE | |
| | DOM. WAVELENGTH (nm) | | | |
| | MIN. | MAX. | MIN. | MAX. |
| 1 | 581 | 584 | 598 | 601 |
| 2 | 583 | 586 | 600 | 603 |
| 3 | 585 | 588 | 602 | 605 |
| 4 | 587 | 590 | 604 | 607 |
| 5 | 589 | 592 | 606 | 609 |
| 6 | 591 | 594 | 608 | 611 |

Note

- Wavelengths are tested at a current pulse duration of 25 ms.

| CROSSING TABLE | |
|----------------|-------------|
| VISHAY | OSRAM |
| VLMS2100 | LSM670 |
| VLMS21H2K1 | LSM670-H2K1 |
| VLMS21J2L1 | LSM670-J2L1 |
| VLMS21H2L1 | LSM670-H2L1 |
| VLMO2100 | LOM670 |
| VLMO21H2K1 | LOM670-H2K1 |
| VLMO21J2L1 | LOM670-J2L1 |
| VLMO21H2L1 | LOM670-H2L1 |
| VLMY2100 | LYM670 |
| VLMY21H2K1 | LYM670-H2K1 |
| VLMY21J2L1 | LYM670-J2L1 |
| VLMY21H2L1 | LYM670-H2L1 |

TYPICAL CHARACTERISTICS ($T_{amb} = 25\text{ }^{\circ}\text{C}$, unless otherwise specified)

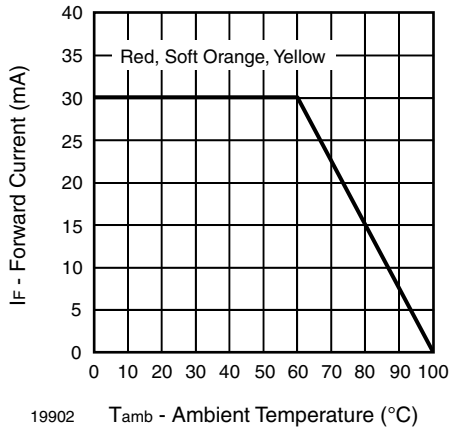


Fig. 1 - Forward Current vs. Ambient Temperature

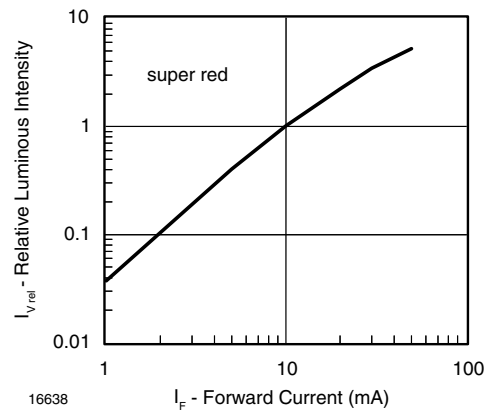


Fig. 4 - Relative Luminous Intensity vs. Forward Current

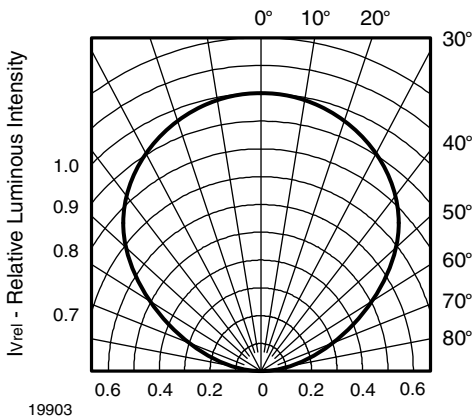


Fig. 2 - Relative Luminous Intensity vs. Angular Displacement

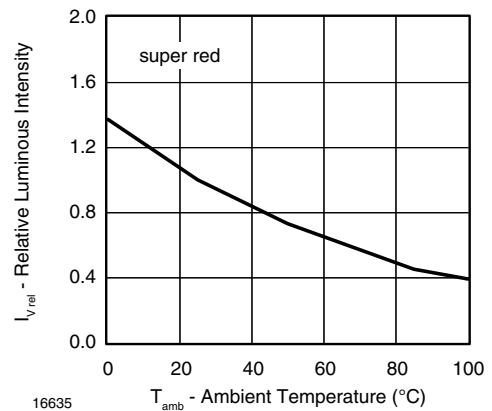


Fig. 5 - Relative Luminous Intensity vs. Ambient Temperature

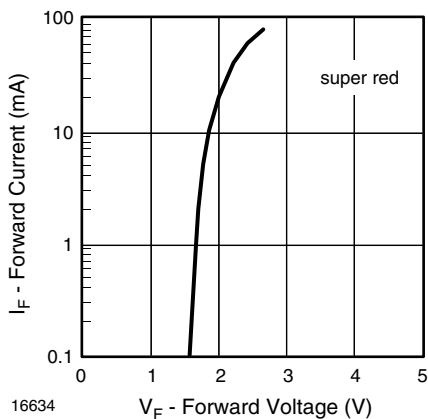


Fig. 3 - Forward Current vs. Forward Voltage

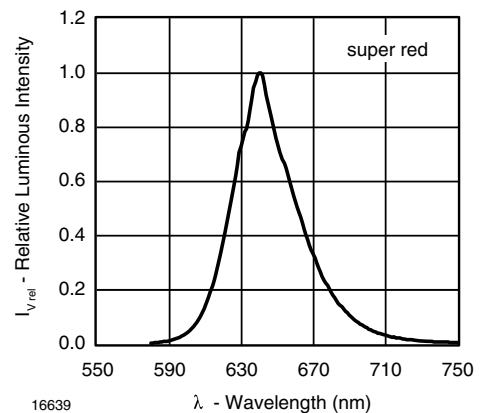


Fig. 6 - Relative Intensity vs. Wavelength

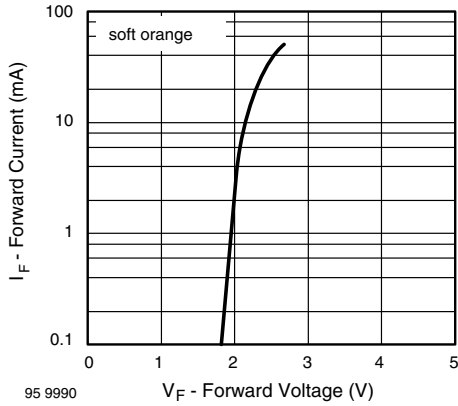


Fig. 7 - Forward Current vs. Forward Voltage

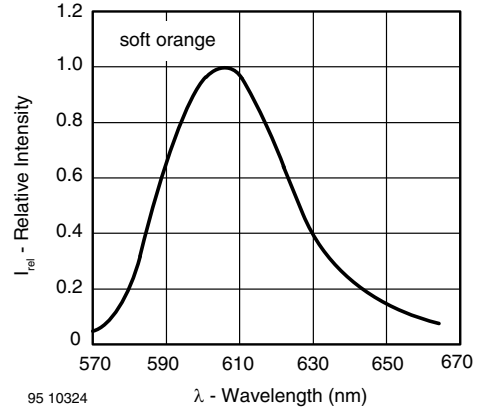


Fig. 10 - Relative Intensity vs. Wavelength

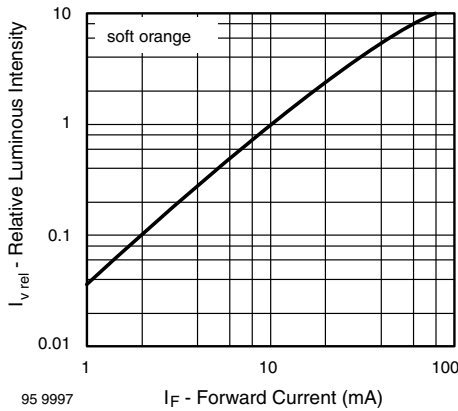


Fig. 8 - Relative Luminous Intensity vs. Forward Current

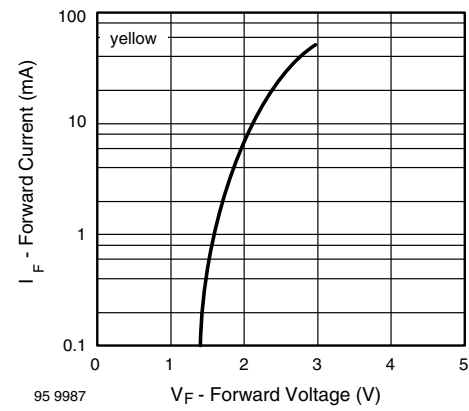


Fig. 11 - Forward Current vs. Forward Voltage

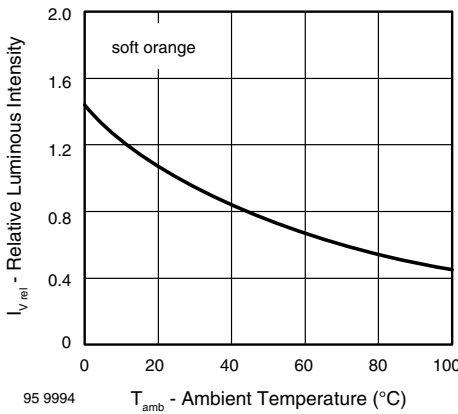


Fig. 9 - Relative Luminous Intensity vs. Ambient Temperature

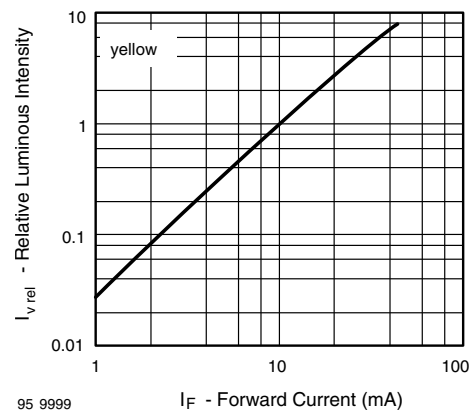


Fig. 12 - Relative Luminous Intensity vs. Forward Current

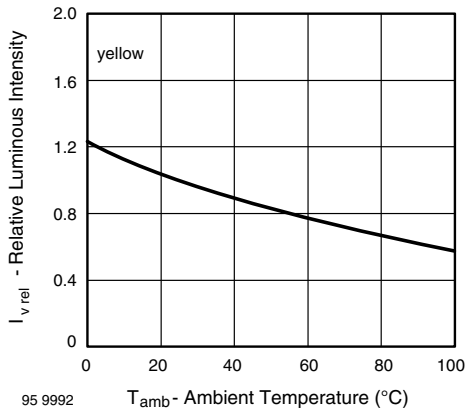


Fig. 13 - Relative Luminous Intensity vs. Ambient Temperature

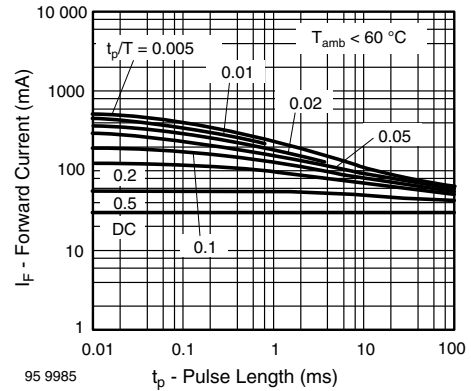


Fig. 15 - Pulse Forward Current vs. Pulse Duration

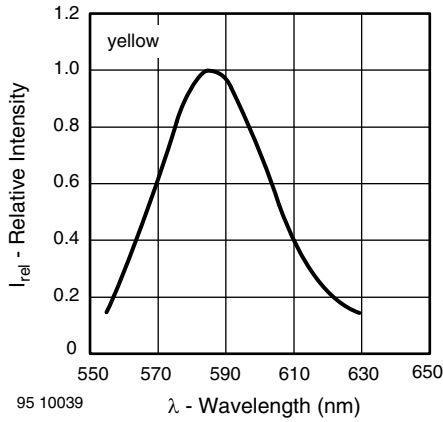


Fig. 14 - Relative Intensity vs. Wavelength

SOLDERING PROFILE

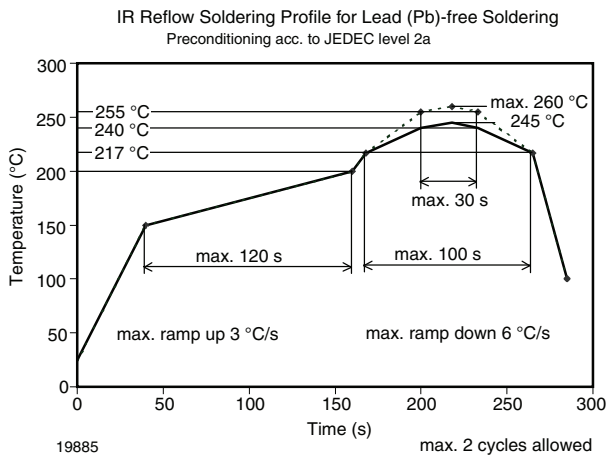
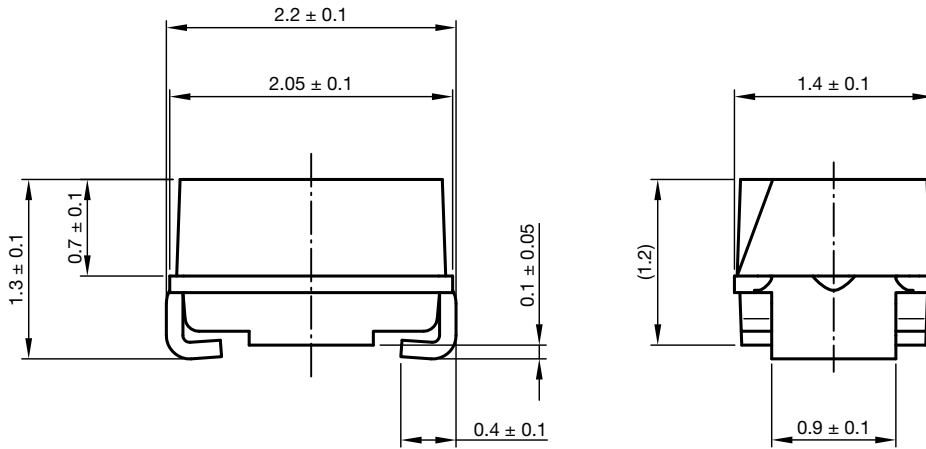


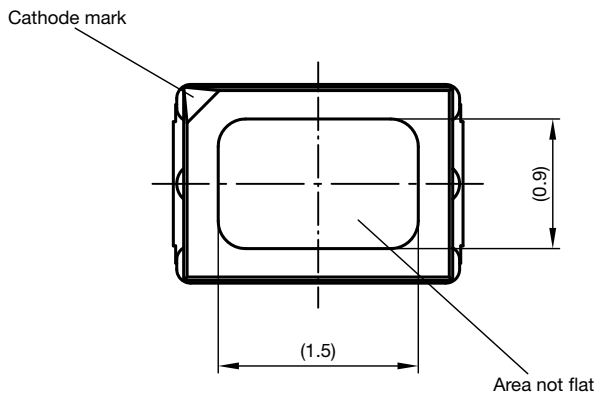
Fig. 16 - Vishay Leadfree Reflow Soldering Profile (acc. to J-STD-020)



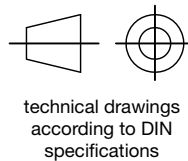
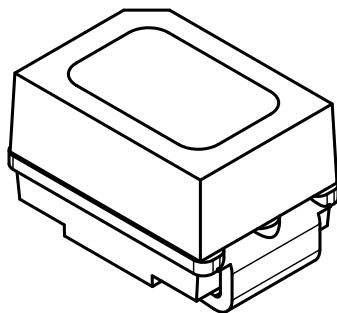
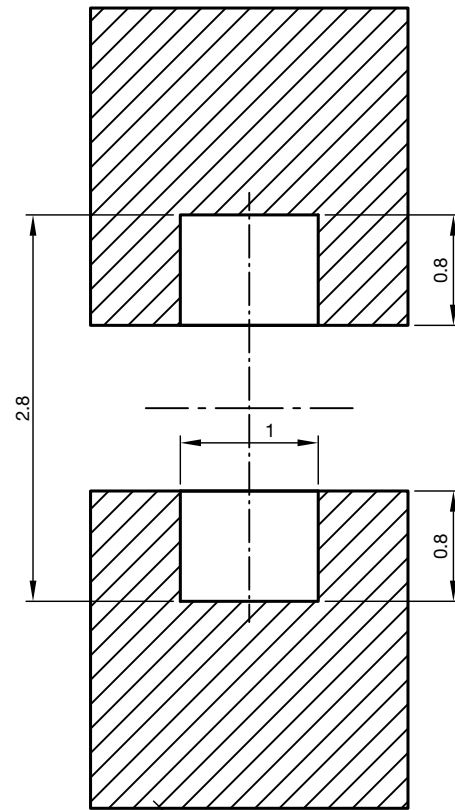
PACKAGE DIMENSIONS in millimeters



Not indicated tolerances ± 0.2



Proposed pad layout (for reference only)



technical drawings according to DIN specifications

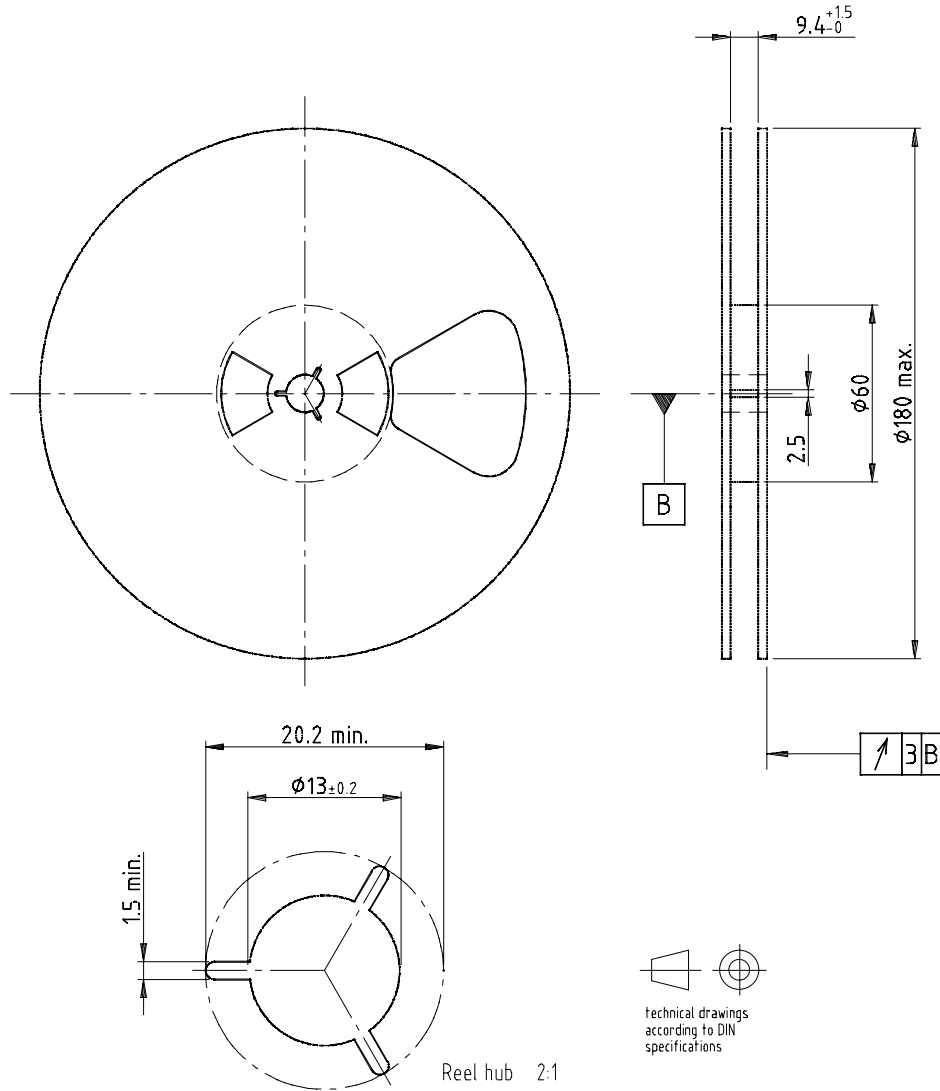


Solder resist

Drawing-No.: 6.541-5069.01-4
Issue: 2; 24.11.14



REEL DIMENSIONS in millimeters

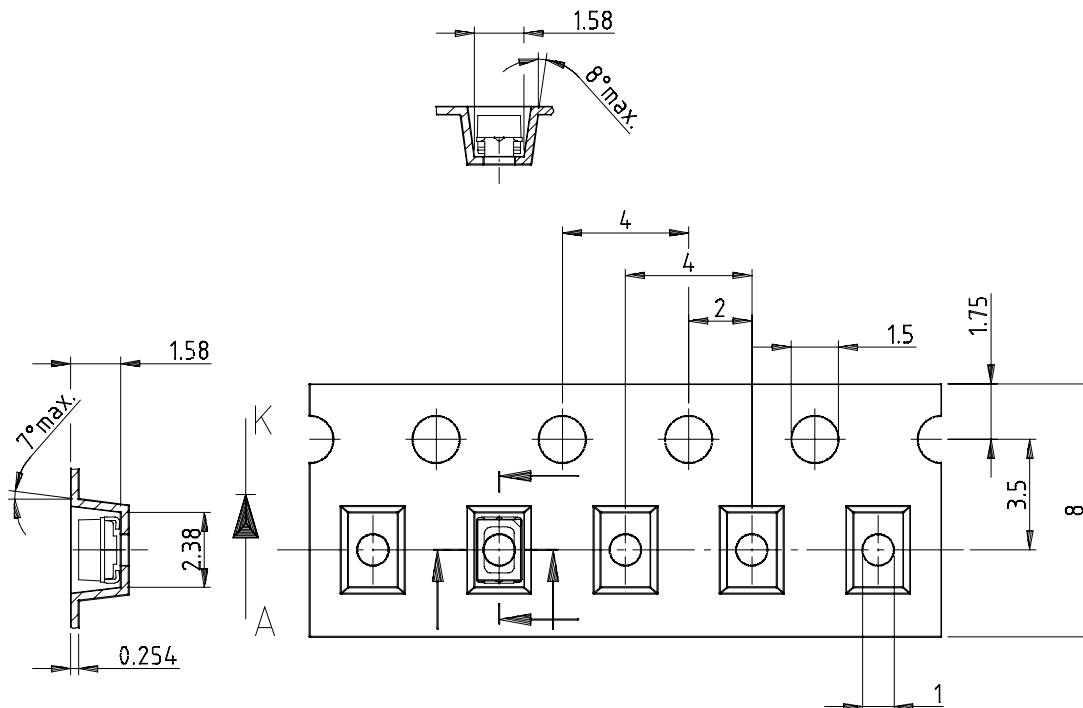


Drawing-No.: 9.800-5051.V5-4

Issue: 1; 25.07.02

16938

TAPE DIMENSIONS in millimeters

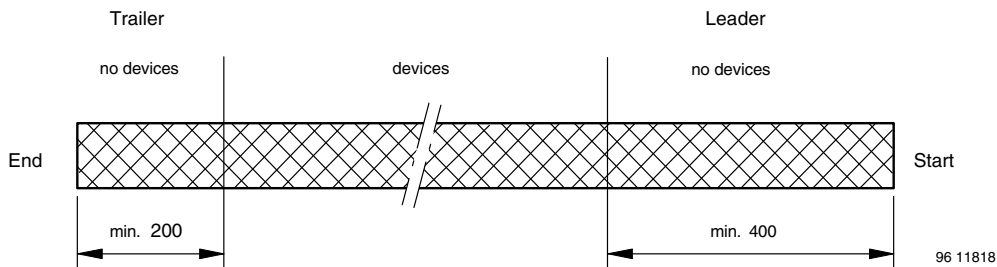


Drawing-No.: 9.700-5266.01-4

Issue: 1; 05.06.02

16939

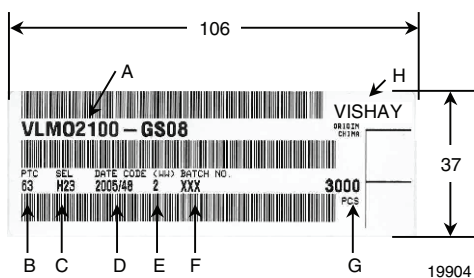
LEADER AND TRAILER DIMENSIONS in millimeters



Note

- GS08 = 3000 pcs

BAR CODE PRODUCT LABEL



- A) Type of component
- B) Manufacturing plant
- C) SEL - Selection code (bin):
e.g.: H2 = bode for luminous intensity group
3 = bode for color group
- D) Date code year / week
- E) Day code (e.g. 2: Tuesday)
- F) Batch no.
- G) Total quantity
- H) Company code



COVER TAPE PEEL STRENGTH

According to DIN EN 60286-3

0.1 N to 1.3 N

300 mm/min ± 10 mm/min

165° to 180° peel angle

LABEL

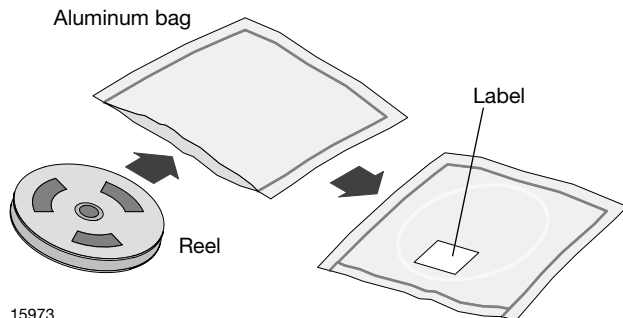
Standard bar code labels for finished goods

The standard bar code labels are product labels and used for identification of goods. The finished goods are packed in final packing area. The standard packing units are labeled with standard bar code labels before transported as finished goods to warehouses. The labels are on each packing unit and contain Vishay Semiconductor GmbH specific data.

| VISHAY SEMICONDUCTOR GmbH STANDARD BAR CODE PRODUCT LABEL (finished goods) | | |
|---|---------------------|---------------|
| PLAIN WRITTING | ABBREVIATION | LENGTH |
| Item-description | - | 18 |
| Item-number | INO | 8 |
| Selection-code | SEL | 3 |
| LOT-/serial-number | BATCH | 10 |
| Data-code | COD | 3 (YWW) |
| Plant-code | PTC | 2 |
| Quantity | QTY | 8 |
| Accepted by: | ACC | - |
| Packed by: | PCK | - |
| Mixed code indicator | MIXED CODE | - |
| Origin | xxxxxxx+ | Company logo |
| LONG BAR CODE TOP | TYPE | LENGTH |
| Item-number | N | 8 |
| Plant-code | N | 2 |
| Sequence-number | X | 3 |
| Quantity | N | 8 |
| Total length | - | 21 |
| SHORT BAR CODE BOTTOM | TYPE | LENGTH |
| Selection-code | X | 3 |
| Data-code | N | 3 |
| Batch-number | X | 10 |
| Filter | - | 1 |
| Total length | - | 17 |

DRY PACKING

The reel is packed in an anti-humidity bag to protect the devices from absorbing moisture during transportation and storage.



15973

FINAL PACKING

The sealed reel is packed into a cardboard box. A secondary cardboard box is used for shipping purposes.



RECOMMENDED METHOD OF STORAGE

Dry box storage is recommended as soon as the aluminum bag has been opened to prevent moisture absorption. The following conditions should be observed, if dry boxes are not available:

- Storage temperature 10 °C to 30 °C
Storage humidity ≤ 60 % RH max.

After more than 672 h under these conditions moisture content will be too high for reflow soldering.

In case of moisture absorption, the devices will recover to the former condition by drying under the following condition:

192 h at 40 °C + 5 °C / - 0 °C and < 5 % RH (dry air / nitrogen) or

96 h at 60 °C + 5 °C and < 5 % RH for all device containers or

24 h at 100 °C + 5 °C not suitable for reel or tubes.

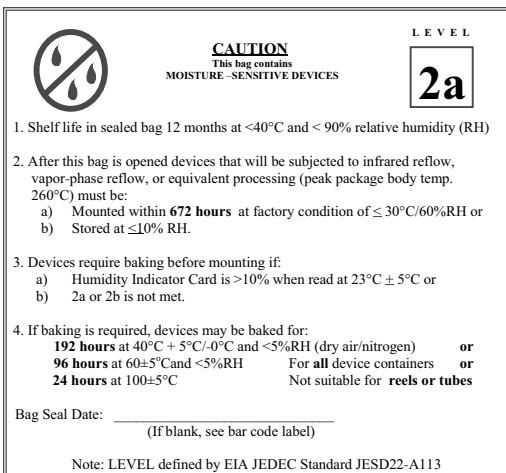
An EIA JEDEC standard JESD22-A112 level 2a label is included on all dry bags.

ESD PRECAUTION

Proper storage and handling procedures should be followed to prevent ESD damage to the devices especially when they are removed from the antistatic shielding bag. Electrostatic sensitive devices warning labels are on the packaging.

VISHAY SEMICONDUCTORS STANDARD BAR CODE LABELS

The Vishay Semiconductors standard bar code labels are printed at final packing areas. The labels are on each packing unit and contain Vishay Semiconductors specific data.



Example of JESD22-A112 level 2a label



Disclaimer

ALL PRODUCT, PRODUCT SPECIFICATIONS AND DATA ARE SUBJECT TO CHANGE WITHOUT NOTICE TO IMPROVE RELIABILITY, FUNCTION OR DESIGN OR OTHERWISE.

Vishay Intertechnology, Inc., its affiliates, agents, and employees, and all persons acting on its or their behalf (collectively, "Vishay"), disclaim any and all liability for any errors, inaccuracies or incompleteness contained in any datasheet or in any other disclosure relating to any product.

Vishay makes no warranty, representation or guarantee regarding the suitability of the products for any particular purpose or the continuing production of any product. To the maximum extent permitted by applicable law, Vishay disclaims (i) any and all liability arising out of the application or use of any product, (ii) any and all liability, including without limitation special, consequential or incidental damages, and (iii) any and all implied warranties, including warranties of fitness for particular purpose, non-infringement and merchantability.

Statements regarding the suitability of products for certain types of applications are based on Vishay's knowledge of typical requirements that are often placed on Vishay products in generic applications. Such statements are not binding statements about the suitability of products for a particular application. It is the customer's responsibility to validate that a particular product with the properties described in the product specification is suitable for use in a particular application. Parameters provided in datasheets and / or specifications may vary in different applications and performance may vary over time. All operating parameters, including typical parameters, must be validated for each customer application by the customer's technical experts. Product specifications do not expand or otherwise modify Vishay's terms and conditions of purchase, including but not limited to the warranty expressed therein.

Except as expressly indicated in writing, Vishay products are not designed for use in medical, life-saving, or life-sustaining applications or for any other application in which the failure of the Vishay product could result in personal injury or death. Customers using or selling Vishay products not expressly indicated for use in such applications do so at their own risk. Please contact authorized Vishay personnel to obtain written terms and conditions regarding products designed for such applications.

No license, express or implied, by estoppel or otherwise, to any intellectual property rights is granted by this document or by any conduct of Vishay. Product names and markings noted herein may be trademarks of their respective owners.