



Chipsmall Limited consists of a professional team with an average of over 10 year of expertise in the distribution of electronic components. Based in Hongkong, we have already established firm and mutual-benefit business relationships with customers from,Europe,America and south Asia,supplying obsolete and hard-to-find components to meet their specific needs.

With the principle of “Quality Parts,Customers Priority,Honest Operation,and Considerate Service”,our business mainly focus on the distribution of electronic components. Line cards we deal with include Microchip,ALPS,ROHM,Xilinx,Pulse,ON,Everlight and Freescale. Main products comprise IC,Modules,Potentiometer,IC Socket,Relay,Connector.Our parts cover such applications as commercial,industrial, and automotives areas.

We are looking forward to setting up business relationship with you and hope to provide you with the best service and solution. Let us make a better world for our industry!



Contact us

Tel: +86-755-8981 8866 Fax: +86-755-8427 6832

Email & Skype: info@chipsmall.com Web: www.chipsmall.com

Address: A1208, Overseas Decoration Building, #122 Zhenhua RD., Futian, Shenzhen, China



Specification Status: Released

Maximum Electrical Rating
Operating Voltage: 16Vdc MAX
Interrupt Current: 60A MAX

Chip Size: 3.6 X 10 mm

Leads: Nickel
0.125mm nominal thickness

Solder: Lead-free

Tape: Polyester
11mm nominal width

Marking: (Color: Green)
Manufacturer's Mark

XX W22 — Part Identification

□□□□ — Lot Identification

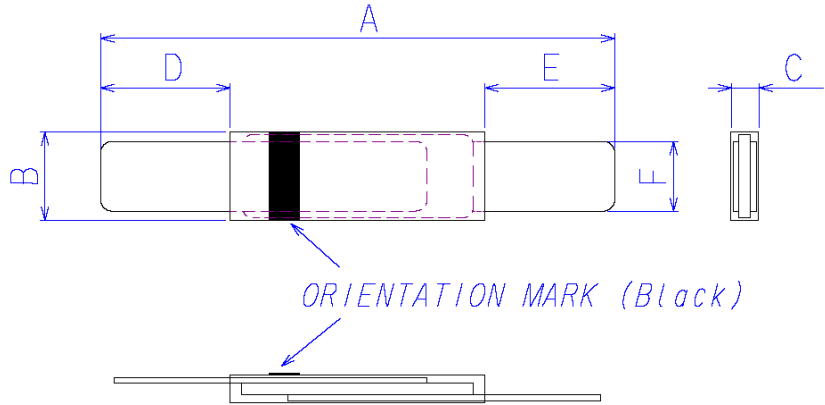


TABLE I. DIMENSIONS:

	A		B		C		D		E		F	
	MIN	MAX	MIN	MAX	MIN	MAX	MIN	MAX	MIN	MAX	MIN	MAX
mm:	21.1	23.3	3.5	3.9	0.6	0.8	5.1	6.8	5.1	6.8	2.9	3.1
in*:	(0.83)	(0.91)	(0.14)	(0.15)	(0.02)	(0.03)	(.20)	(0.27)	(0.20)	(0.27)	(0.11)	(0.12)

*Rounded off approximation

TABLE II. PERFORMANCE RATINGS: As measured in Mueller Kelvin Clips model BU-75K.

I HOLD	CURRENT TRIP LIMITS								TIME TO TRIP	REFERENC E RESISTANC E	ONE-HOUR POST-TRIP RESISTANCE		TRIPPED- STATE POWER DISSIPATION		
	AMPS 25°C	AMPS AT 0°C	AMPS AT 25°C	AMPS AT 60°C	AMPS AT --°C	SECONDS AT 25°C, 11.0A	OHMS AT 25°C	OHMS AT 25°C			WATTS AT 25°C, 16V				
HOLD	HOLD	TRIP	HOLD	TRIP	HOLD	TRIP	HOLD	TRIP	TYP	MAX	MIN	MAX	MIN	MAX	MAX
2.2	3.0	7.0	2.2	5.3	1.1	3.1	---	---	---	5	0.017	0.029	0.017	0.058	1.8

Agency Recognitions: UL, TUV, CSA
Reference Documents: PS300
Precedence: This specification takes precedence over documents referenced herein.
Effectivity: Reference documents shall be the issue in effect on the date of invitation for bid.
CAUTION: Operation beyond the rated voltage or current may result in rupture, electrical arcing or flame.

MATERIALS INFORMATION:

ROHS Compliant
Directive 2000/53/EC
Compliant

ELV Compliant
Directive 2002/95/EC
Compliant

Pb-Free



Expertise Applied | Answers Delivered

PolySwitch®
PTC Devices
Overcurrent Protection Device

PRODUCT: VLP220F

DOCUMENT: SCD25620
PCN: RF0515
REV LETTER: E
REV DATE: JULY 26, 2016
PAGE NO.: 2 OF 2

Information furnished is believed to be accurate and reliable. However, users should independently evaluate the suitability of and test each product selected for their own applications. Littelfuse products are not designed for, and shall not be used for, any purpose (including, without limitation, military, aerospace, medical, lifesaving, life-sustaining or nuclear facility applications, devices intended for surgical implant into the body, or any other application in which the failure or lack of desired operation of the product may result in personal injury, death, or property damage) other than those expressly set forth in applicable Littelfuse product documentation. Warranties granted by Littelfuse shall be deemed void for products used for any purpose not expressly set forth in applicable Littelfuse documentation. Littelfuse shall not be liable for any claims or damages arising out of products used in applications not expressly intended by Littelfuse as set forth in applicable Littelfuse documentation. The sale and use of Littelfuse products is subject to Littelfuse Terms and Conditions of Sale, unless otherwise agreed by Littelfuse.