



Chipsmall Limited consists of a professional team with an average of over 10 year of expertise in the distribution of electronic components. Based in Hongkong, we have already established firm and mutual-benefit business relationships with customers from,Europe,America and south Asia,supplying obsolete and hard-to-find components to meet their specific needs.

With the principle of “Quality Parts,Customers Priority,Honest Operation,and Considerate Service”,our business mainly focus on the distribution of electronic components. Line cards we deal with include Microchip,ALPS,ROHM,Xilinx,Pulse,ON,Everlight and Freescale. Main products comprise IC,Modules,Potentiometer,IC Socket,Relay,Connector.Our parts cover such applications as commercial,industrial, and automotives areas.

We are looking forward to setting up business relationship with you and hope to provide you with the best service and solution. Let us make a better world for our industry!



Contact us

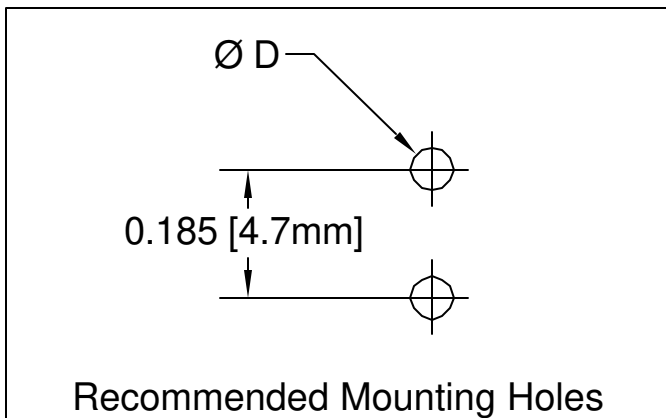
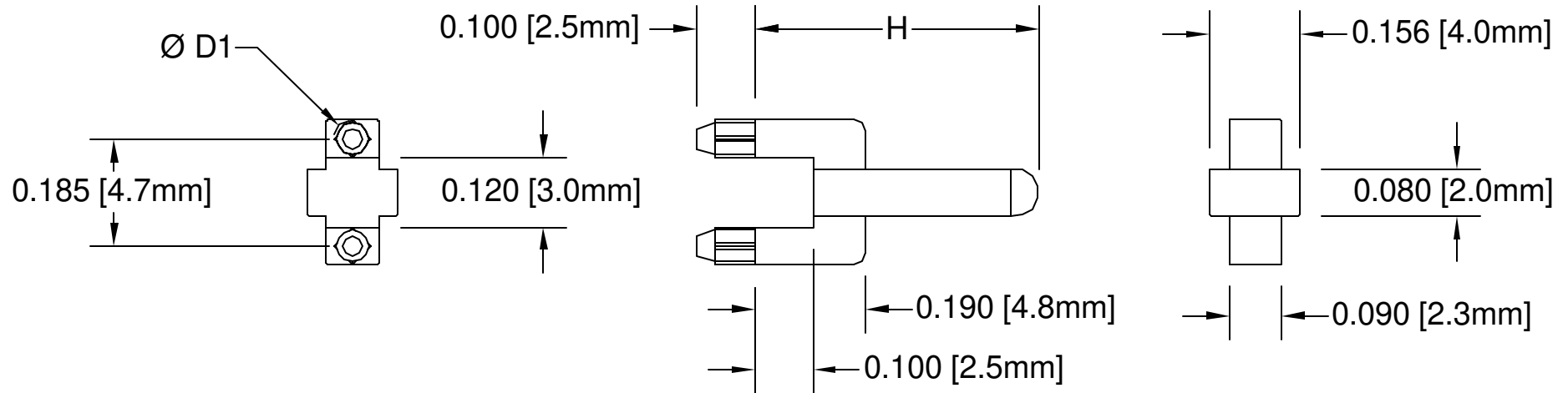
Tel: +86-755-8981 8866 Fax: +86-755-8427 6832

Email & Skype: info@chipsmall.com Web: www.chipsmall.com

Address: A1208, Overseas Decoration Building, #122 Zhenhua RD., Futian, Shenzhen, China



REV.	DESCRIPTION	DATE	APPROVED
A	Engineering Release	03/10/04	M. C.



P/N	H	$\varnothing D \begin{smallmatrix} +.003 \\ -.002 \end{smallmatrix}$	$\varnothing D1$
VLPR-24-500-2	0.500"(12.7mm)	.062"(1.6mm)	.065"(1.7mm)
VLPR-24-650-2	0.650"(16.5mm)	.062"(1.6mm)	.065"(1.7mm)
VLPR-24-858-2	0.858"(21.8mm)	.058"(1.5mm)	.060"(1.5mm)
VLPR-24-1028-2	1.028"(26.1mm)	.058"(1.5mm)	.060"(1.5mm)

2. MATERIAL: POLYCARBONATE 94V-0 CLEAR, BIVAR MATERIAL CODE 47-CR.
SAMYANG CORPORATION POLYCARBONATE 3025N2 CLEAR
1. GENERAL SPECIFICATIONS: BIVAR MOLDED COMPONENT SPECIFICATION BV00-E101.

STANDARD TOLERANCE (UNLESS OTHERWISE SPECIFIED)		BIVAR®	
DECIMALS	ANGULAR	4 THOMAS, IRVINE, CA 92618 TEL: (949) 951-8808 FAX: (949) 951-3974	
.X ±.1	X° ± 1°	TITLE: VERTICAL LIGHT PIPE	
.XX ±.01		PART NO: VLPR-24-XXXX-2	
.XXX ±.005		REVISION: A	
DESIGNED: T. Yin	DATE: 03/10/04	CAGE CODE : 32559 SHEET # 1 OF 1	
CHECKED: D. Green	DATE: 03/10/04		