



Chipsmall Limited consists of a professional team with an average of over 10 year of expertise in the distribution of electronic components. Based in Hongkong, we have already established firm and mutual-benefit business relationships with customers from,Europe,America and south Asia,supplying obsolete and hard-to-find components to meet their specific needs.

With the principle of “Quality Parts,Customers Priority,Honest Operation,and Considerate Service”,our business mainly focus on the distribution of electronic components. Line cards we deal with include Microchip,ALPS,ROHM,Xilinx,Pulse,ON,Everlight and Freescale. Main products comprise IC,Modules,Potentiometer,IC Socket,Relay,Connector.Our parts cover such applications as commercial,industrial, and automotives areas.

We are looking forward to setting up business relationship with you and hope to provide you with the best service and solution. Let us make a better world for our industry!



Contact us

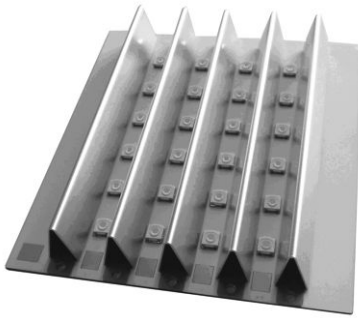
Tel: +86-755-8981 8866 Fax: +86-755-8427 6832

Email & Skype: info@chipsmall.com Web: www.chipsmall.com

Address: A1208, Overseas Decoration Building, #122 Zhenhua RD., Futian, Shenzhen, China



Reflector for VLSL3...., VLSL4...., VLSL5.... LED Power Module



21853

DESCRIPTION

VLSL-REFL is a special reflector designed for VLSL3...., VLSL4...., and VLSL5.... LED power modules.

By using different reflector combinations the emission in one direction can be adjusted in a typical range of 120° to 55°.

APPLICATION

FEATURES

- Material: Al-alloy
- Surface not high polished
- Material categorization:
For definitions of compliance please see www.vishay.com/doc?99912



RoHS
COMPLIANT

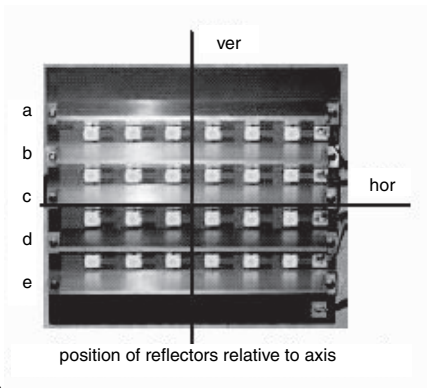
APPLICATIONS

(in combination with VLSL3...., VLSL4...., VLSL5....)

- Streetlight
- Internal lighting in buildings
- Tunnel lights
- General lighting application

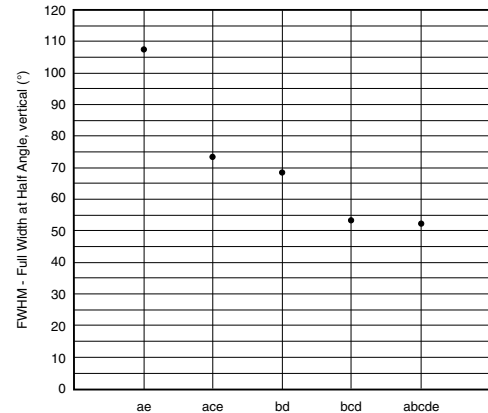
PRODUCT GROUP AND PACKAGE DATA

- Product group: LED
- Package: LED module
- Product series: power



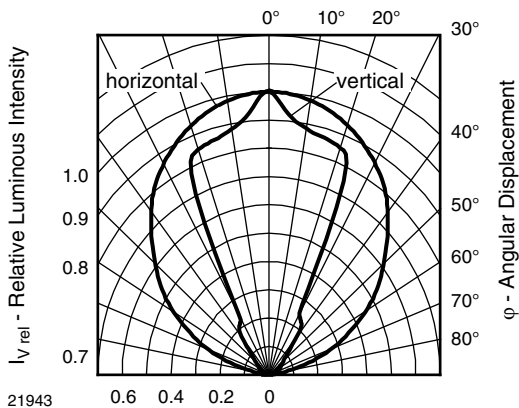
21979

Fig. 1 - PCB with all Reflectors



21980

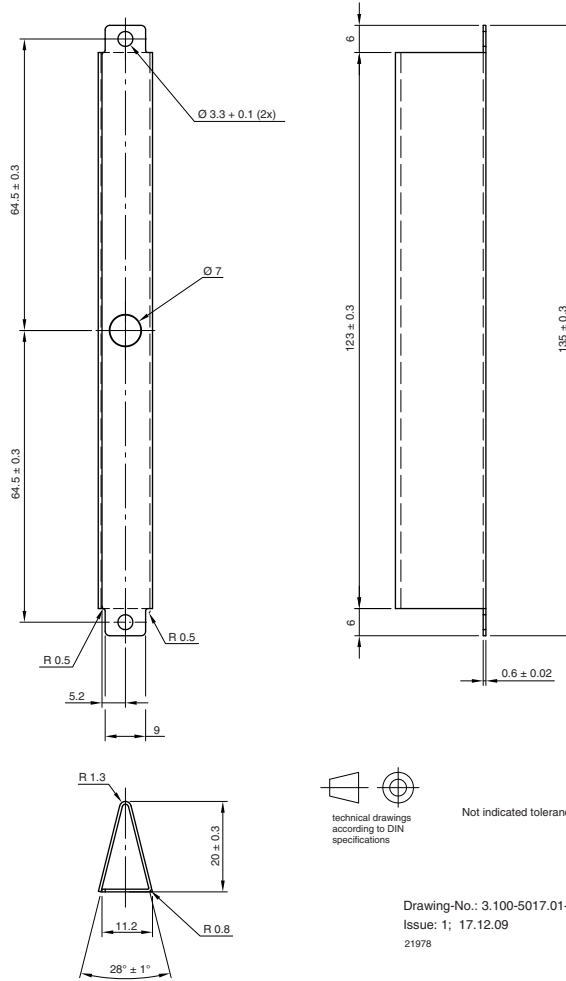
Fig. 3 - Emission Angle vs. Reflector Combination



21943

Fig. 2 - Emission Characteristics all 5 Reflectors in Use

PACKAGE DIMENSIONS in millimeters



technical drawings according to DIN specifications

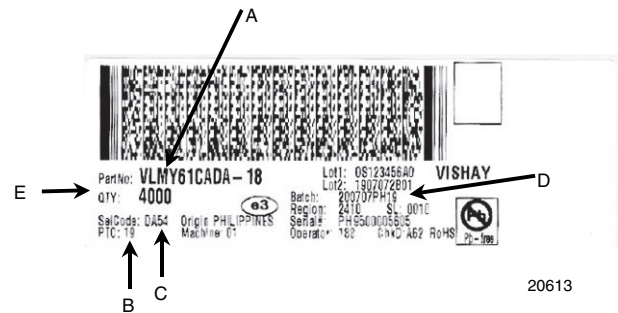
Not indicated tolerances ± 0.1

Drawing-No.: 3.100-5017.01-4
Issue: 1; 17.12.09
21978

PACKING INFORMATION

- 120 reflectors per box
- Minimum order quantity 120 pcs

BAR CODE PRODUCT LABEL



- A. Type of component
- B. Manufacturing plant
- C. SEL - selection code (bin):
e.g.: DA = code for luminous intensity group
5 = code for color group
- D. Batch:
200707 = year 2007, week 07
PH19 = plant code
- E. Total quantity