



Chipsmall Limited consists of a professional team with an average of over 10 year of expertise in the distribution of electronic components. Based in Hongkong, we have already established firm and mutual-benefit business relationships with customers from,Europe,America and south Asia,supplying obsolete and hard-to-find components to meet their specific needs.

With the principle of “Quality Parts,Customers Priority,Honest Operation,and Considerate Service”,our business mainly focus on the distribution of electronic components. Line cards we deal with include Microchip,ALPS,ROHM,Xilinx,Pulse,ON,Everlight and Freescale. Main products comprise IC,Modules,Potentiometer,IC Socket,Relay,Connector.Our parts cover such applications as commercial,industrial, and automotives areas.

We are looking forward to setting up business relationship with you and hope to provide you with the best service and solution. Let us make a better world for our industry!



## Contact us

Tel: +86-755-8981 8866 Fax: +86-755-8427 6832

Email & Skype: info@chipsmall.com Web: www.chipsmall.com

Address: A1208, Overseas Decoration Building, #122 Zhenhua RD., Futian, Shenzhen, China



PRODUCT NUMBER  
20020012-XXXXXXLF

20020012-□ □ □ □ □ 0 □ L F

PITCH  
C: 3.50mm  
D: 3.81mm  
G: 5.00mm  
H: 5.08mm

POLES  
02: 2 POLES  
03: 3 POLES  
04: 4 POLES  
...  
24: 24 POLES

LF : DENOTED RoHS COMPATIBLE  
1 : STANDARD PRODUCT  
W/ BOX PACKING

SCREW CODE

CODE	SCREW TYPE	AVAILABILITY
A	-/+	ON REQUEST ONLY
B	-	STANDARD

ALL FLANGE SCREWS ARE ONLY AVAILABLE IN +/- COMBINATION SCREW TYPES.

PROPERTY TABLE						
FCI SERIES NAME		03-350	03-381	03-500	03-508	
PITCH (mm)		3.50	3.81	5.00	5.08	
VOLTAGE RATING (VAC)		300	300	300	300	
CURRENT RATING (A)		10	10	10	10	
APPLICABLE WIRE RANGE (AWG)		1-WIRE 16~28 2-WIRE 20	16~28 20	12~22 18	12~22 18	
WIRE CROSS SECTION (mm <sup>2</sup> )	SOLID	1-WIRE	1.5	1.5	2.5	2.5
		2-WIRE	0.5	0.5	1.0	1.0
	STRANDED	1-WIRE	1.5	1.5	2.5	2.5
		2-WIRE	0.75	0.75	1.5	1.5
OPENING CONTACT HOUSING(mm <sup>2</sup> )		1.8x2.4	1.8x2.4	2.6x2.8	2.6x2.8	
WIRE STRIP LENGTH(mm)		6~7	6~7	6~7	6~7	
TORQUE +/- 10% (N-m/Lb-in)		0.19/1.7	0.19/1.7	0.4/3.5	0.4/3.5	
SCREW		M2x0.4	M2x0.4	M2.5x0.4	M2.5x0.4	
WITHSTANDING VOLTAGE (kV)		1.6	1.6	1.6	1.6	
OPERATING TEMP. (°C)		-40~+115	-40~+115	-40~+115	-40~+115	
POLES AVAILABLE		02~24	02~24	02~24	02~24	
SAFETY CERTIFICATE						

HOUSING CODE

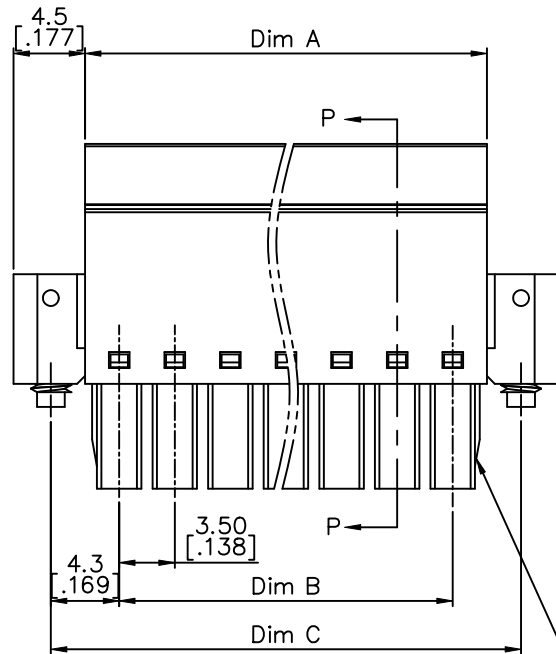
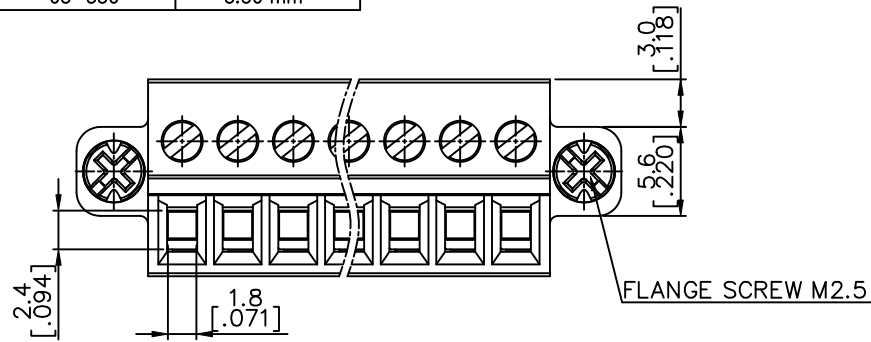
CODE	COLOR	AVAILABILITY
1	GREEN(RAL 6018/T)	STANDARD
2	BLACK	ON REQUEST ONLY
3	GREY(RAL 7004/P)	ON REQUEST ONLY
4	BLUE(RAL 5015/A)	ON REQUEST ONLY

NOTES:

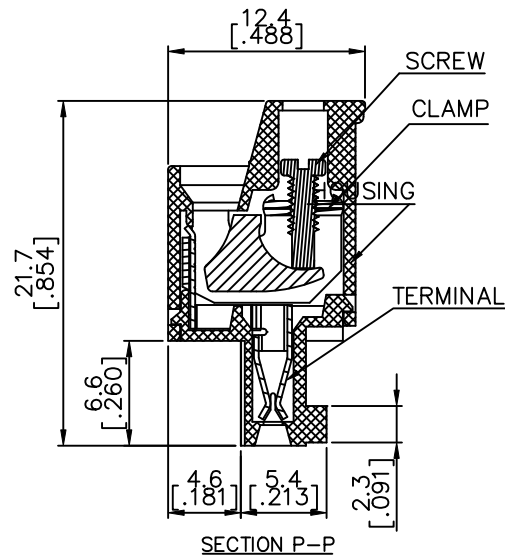
- MATERIALS  
1-1 HOUSING: THERMALPLASTIC RESIN, UL 94V-0 RATED.  
1-2 SCREW: STEEL, ZINC PLATED.  
1-3 CLAMP: COPPER ALLOY, NICKEL PLATED.  
1-4 TERMINAL: COPPER ALLOY, TIN PLATED.
- PRODUCT SPECIFICATION REFER TO FCI GS-12-625.
- PRODUCT PACKING SPECIFICATION REFER TO FCI GS-14-1394.
- FCI, SAFETY CERTIFICATE LOGO AND SERIES NAME TO BE SHOWN ON PRODUCT SURFACE.
- THE PRODUCTS WHERE THE PART NUMBER END IN "LF" MEET THE EUROPEAN UNION DIRECTIVE AND OTHER COUNTRY REGULATIONS AS DESCRIBED IN GS-22-008.

mat'l. code		surface ASME Y14.5	tolerance ASME Y14.5	projection	product family	
		tolerances unless otherwise specified			TERMINAL BLOCK	
ltr	ecn no	dr	date	angles	title	
A	T10-0082	WL	080810	X.±0.5	TERMINAL BLOCK PLUGGABLE, PLUG, SIGNAL, W/FLANGE FRONT SCREW sheet 1 of 5 size 20020012 A4 CUSTOMER Drawing	
B	T10-0158	WL	100410	X.X±0.3		
C	T10-0180	WL	111510	X'±1"		
D	T10-0186	WL	120810	dr WENDY CHEN 051810		
E	T11-0008	WL	012611	enr JASON HSU 051810		
F	T-005908	WL	091311	chr GARY HSIEH 051810		
		appd JOSEPH HSIA 051810		scale		
sheet index	revision sheet	F 1	F 2	F 3	F 4	F 5

PRODUCT NUMBER	SERIES NAME	PITCH
20020012-CXXXXXLf	03-350	3.50 mm



2p to 6p with wedge, above 7p  
without wedge(including 7p)

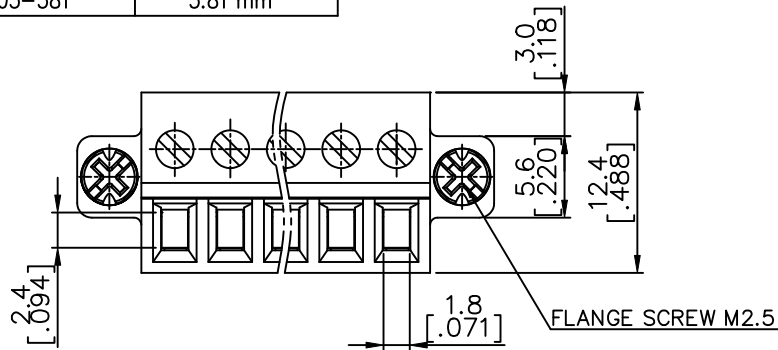


N = Number of poles  
 Dim A =  $N \times 3.5 [.138] + 0.80 [.031]$   
 Dim B =  $(N-1) \times 3.5 [.138]$   
 Dim C =  $(N-1) \times 3.5 [.138] + 8.6 [.339]$

Poles	Dim A	Dim B	Dim C
2-4p	$\pm 0.10 [.004]$	$\pm 0.15 [.006]$	
5-7p	$\pm 0.15 [.006]$	$\pm 0.20 [.008]$	
8-12p	$\pm 0.20 [.008]$	$\pm 0.25 [.010]$	
13-18p	$\pm 0.25 [.010]$	$\pm 0.30 [.012]$	
19-24p	$\pm 0.30 [.012]$	$\pm 0.40 [.016]$	

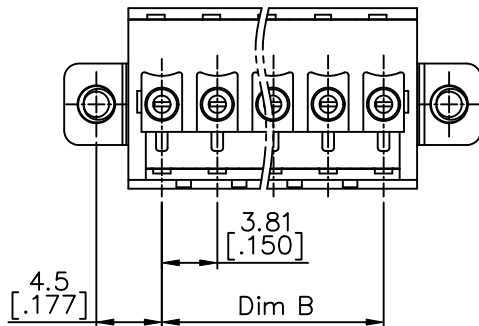
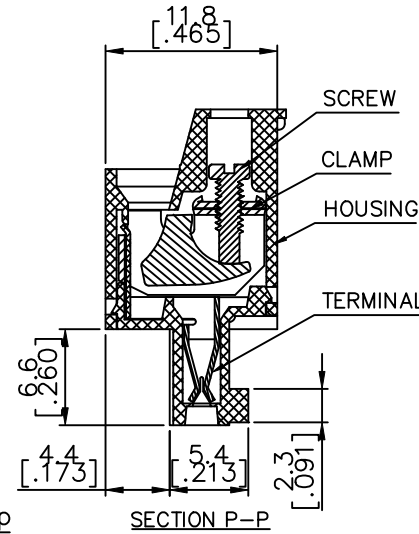
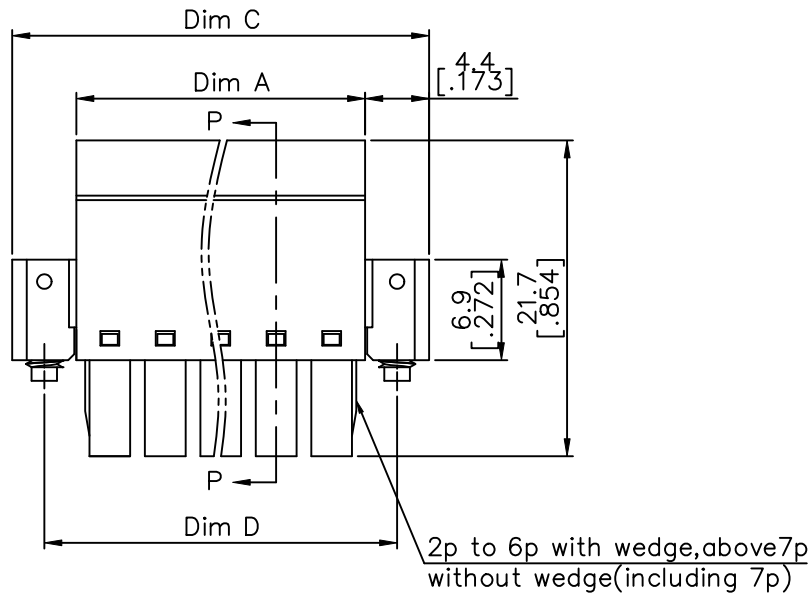
mat'l. code	surface ASME Y14.5	tolerance ASME Y14.5	projection	product family TERMINAL BLOCK
ltr	ecn no	dr	date	title
F				TERMINAL BLOCK PLUGGABLE, PLUG, SIGNAL, W/FLANGE FRONT SCREW
	angles	tolerance	scale	dwg no
	X°±1'	X.X±0.3	MM [INCH]	sheet 2 of 5 size
		X.XX±0.1		20020012
	dr	WENDY CHEN	051810	A4
	enr	JASON HSU	051810	
	chr	GARY HSIEH	051810	
	appd	JOSEPH HSIA	051810	
sheet index	revision sheet			type CUSTOMER Drawing

PRODUCT NUMBER	SERIES NAME	PITCH
20020012-DXXXXXLf	03-381	3.81 mm



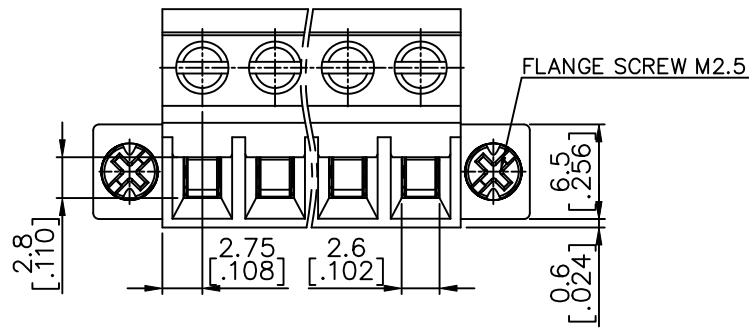
N = Number of poles  
 Dim A =  $N \times 3.81 [.150] + 0.80 [.031]$   
 Dim B =  $(N-1) \times 3.81 [.150]$   
 Dim C =  $N \times 3.81 [.150] + 9.6 [.378]$   
 Dim D =  $(N-1) \times 3.81 [.150] + 9.0 [.354]$

Poles	Tolerance
2-6p	±0.15 [.006]
7-11p	±0.20 [.008]
12-17p	±0.25 [.010]
18-24p	±0.30 [.012]



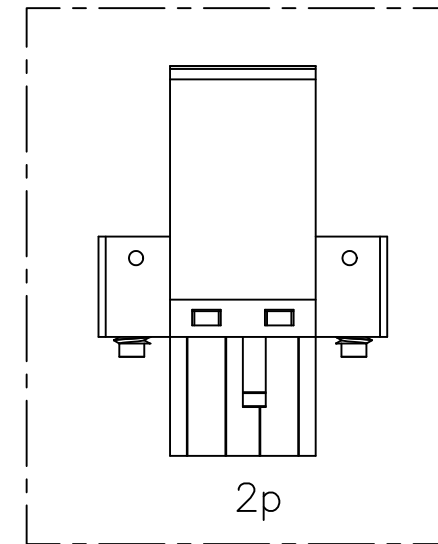
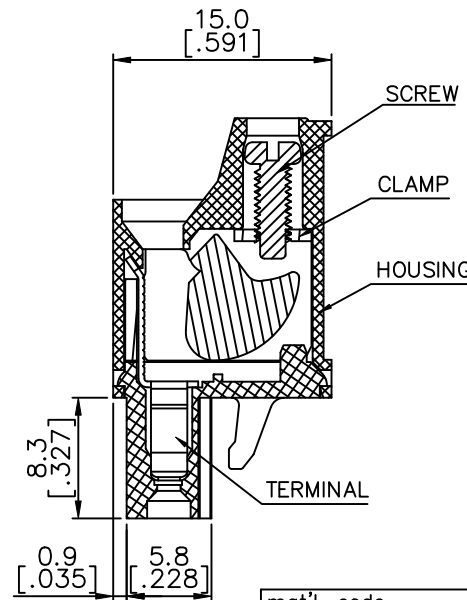
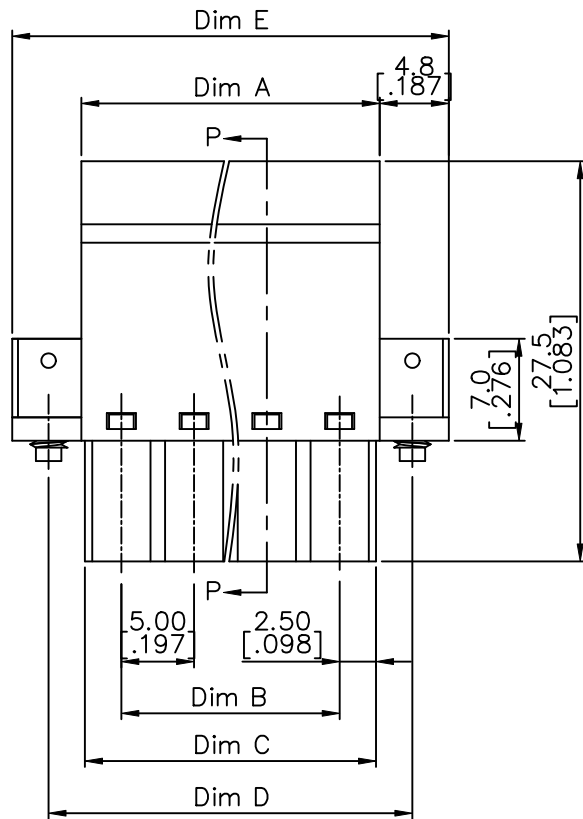
mat'l. code		surface ASME Y14.5 ✓	tolerance ASME Y14.5	projection [Symbol]	product family TERMINAL BLOCK
ltr	ecn no	dr	date	title TERMINAL BLOCK PLUGGABLE, PLUG, SIGNAL, W/FLANGE FRONT SCREW	
F				MM [INCH]	sheet 3 of 5 size
				scale	20020012 A4
		dr	WENDY CHEN 051810		type CUSTOMER Drawing
		enr	JASON HSU 051810		
		chr	GARY HSIEH 051810		
		appd	JOSEPH HSIA 051810		
sheet index	revision sheet				

PRODUCT NUMBER	SERIES NAME	PITCH
20020012-GXXXXXL	03-500	5.00 mm



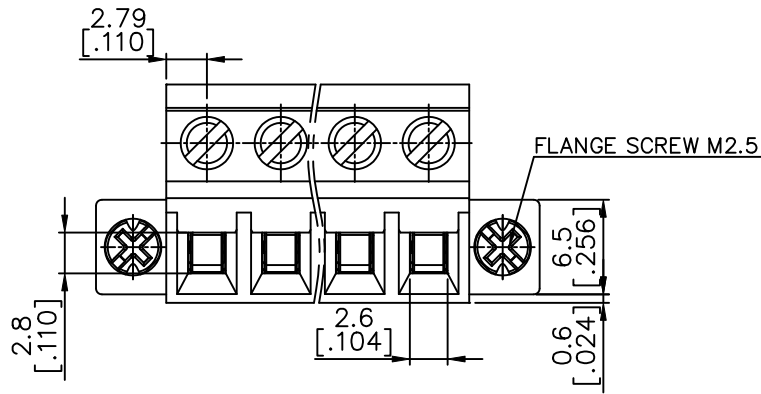
N = Number of poles  
 Dim A =  $N \times 5.0 [.197] + 0.5 [.020]$   
 Dim B =  $(N-1) \times 5.0 [.197]$   
 Dim C =  $N \times 5.0 [.197]$   
 Dim D =  $(N+1) \times 5.0 [.197]$   
 Dim E =  $(N+2) \times 5.0 [.197]$

Poles	Tolerance
2-7p	$\pm 0.15 [.006]$
8-12p	$\pm 0.25 [.010]$
13-18p	$\pm 0.30 [.012]$
19-24p	$\pm 0.40 [.016]$



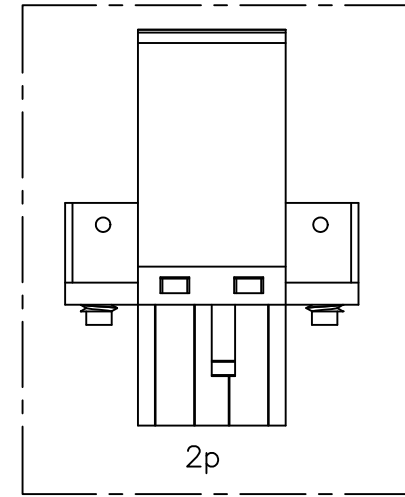
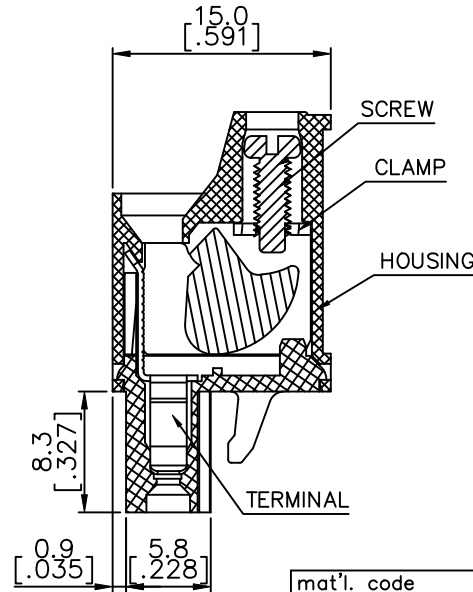
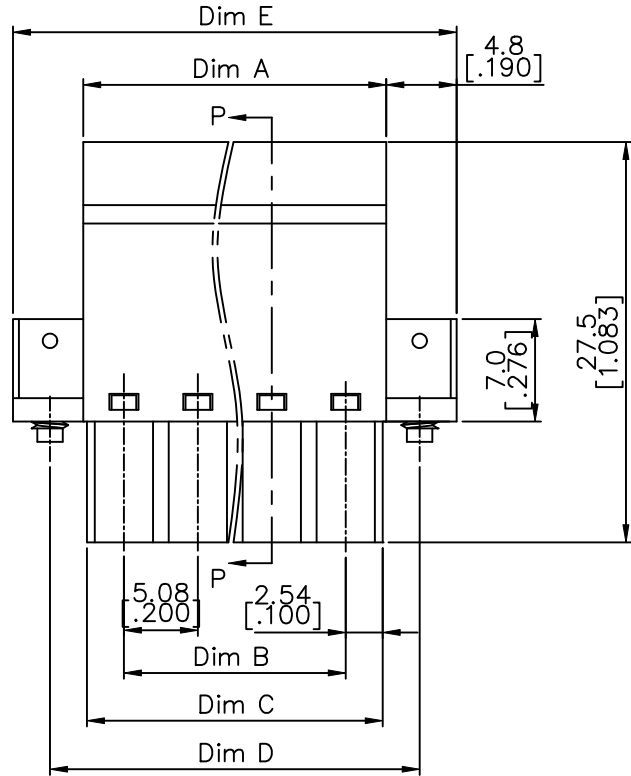
mat'l. code		surface ASME Y14.5	tolerance ASME Y14.5	projection	product family TERMINAL BLOCK
ltr		ecn no dr date			title
F		tolerances unless otherwise specified			TERMINAL BLOCK PLUGGABLE, PLUG, SIGNAL, W/FLANGE FRONT SCREW
		angles	linear	MM [INCH]	sheet 4 of 5 size
		X°±1'	X.XX±0.1	scale	20020012 A4
		dr	WENDY CHEN	051810	FCI type CUSTOMER Drawing
		enr	JASON HSU	051810	
		chr	GARY HSIEH	051810	
		appd	JOSEPH HSIA	051810	
sheet index	revision sheet				

PRODUCT NUMBER	SERIES NAME	PITCH
20020012-HXXXXXL	03-508	5.08 mm



N = Number of poles  
 Dim A =  $N \times 5.08 [.200] + 0.50 [.020]$   
 Dim B =  $(N - 1) \times 5.08 [.200]$   
 Dim C =  $N \times 5.08 [.200]$   
 Dim D =  $(N + 1) \times 5.08 [.200]$   
 Dim E =  $(N + 2) \times 5.08 [.200]$

Poles	Tolerance
2-6p	$\pm 0.15 [.006]$
7-12p	$\pm 0.25 [.010]$
13-18p	$\pm 0.30 [.012]$
19-24p	$\pm 0.40 [.016]$



SECTION P-P

mat'l. code	surface ASME Y14.5	tolerance ASME Y14.5	projection MM INCH	product family TERMINAL BLOCK
ltr	ecn	no	dr	date
F				
	angles	linear	tolerances unless otherwise specified	title
	X°±1'	X.X±0.3	X.XX±0.1	TERMINAL BLOCK PLUGGABLE, PLUG, SIGNAL, W/FLANGE FRONT SCREW
	dr	WENDY CHEN	051810	scale
	enr	JASON HSU	051810	MM INCH
	chr	GARY HSIEH	051810	dwg no
	appd	JOSEPH HSIA	051810	sheet 5 of 5 size
sheet index	revision sheet			20020012 A4
				type CUSTOMER Drawing