



Chipsmall Limited consists of a professional team with an average of over 10 year of expertise in the distribution of electronic components. Based in Hongkong, we have already established firm and mutual-benefit business relationships with customers from,Europe,America and south Asia,supplying obsolete and hard-to-find components to meet their specific needs.

With the principle of “Quality Parts,Customers Priority,Honest Operation,and Considerate Service”,our business mainly focus on the distribution of electronic components. Line cards we deal with include Microchip,ALPS,ROHM,Xilinx,Pulse,ON,Everlight and Freescale. Main products comprise IC,Modules,Potentiometer,IC Socket,Relay,Connector.Our parts cover such applications as commercial,industrial, and automotives areas.

We are looking forward to setting up business relationship with you and hope to provide you with the best service and solution. Let us make a better world for our industry!



Contact us

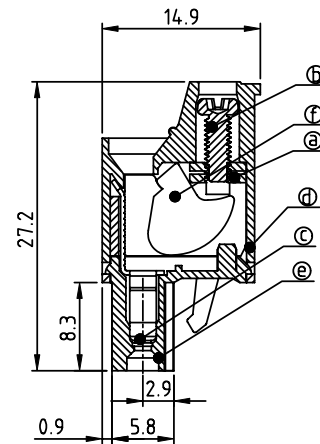
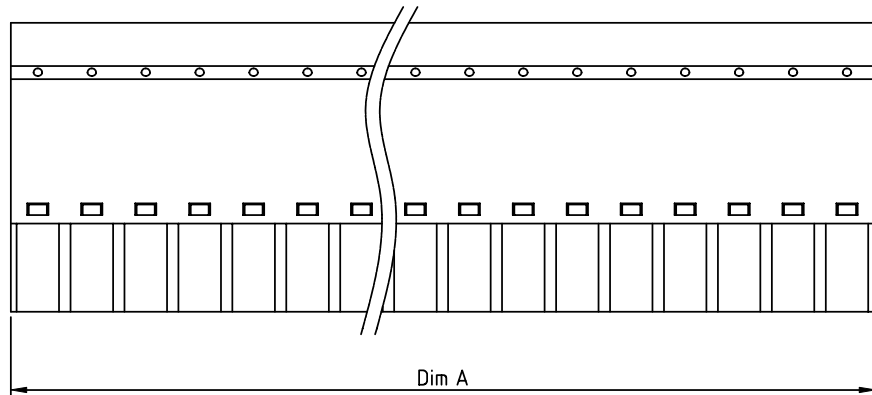
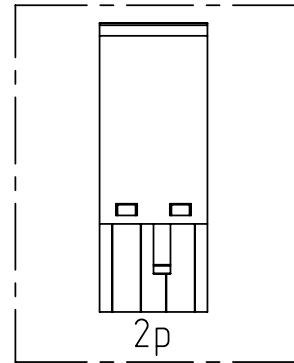
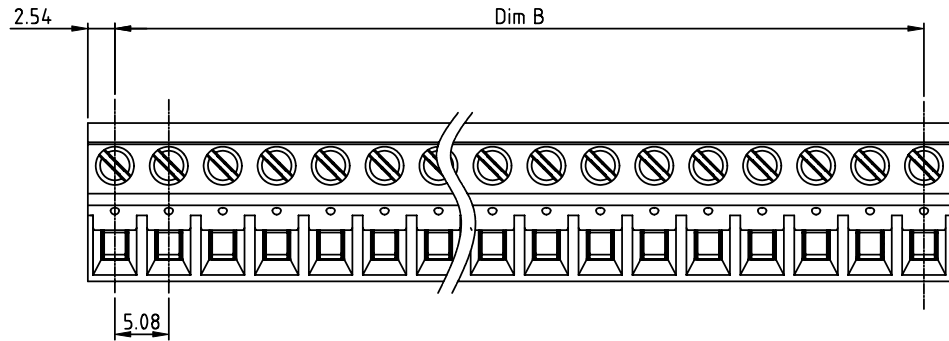
Tel: +86-755-8981 8866 Fax: +86-755-8427 6832

Email & Skype: info@chipsmall.com Web: www.chipsmall.com

Address: A1208, Overseas Decoration Building, #122 Zhenhua RD., Futian, Shenzhen, China



PRODUCT NUMBER	PITCH
VMxx55x100J0G	5.08 mm



Material:

- Item① Clamp: Steel zinc plated.
- Item② Terminal screw: Steel Zinc plating "-" slot type
- Item③ Female contact: High conductivity copper Tin plated
- Item④ Terminal (top body): Thermoplastic (UL94V-0)
- Item⑤ Terminal (bottom body): Thermoplastic (UL94V-0)
- Item⑥ Steel block: Steel Zinc plated

Electrical cULus

- Voltage rating: 300VAC
- Current rating: 20A
- Wire range: 0.34-2.5mm²
- Solid wire(AWG): 12-22
- Stranded wire(AWG): 12-22
- Torque: 3.5Lb-In
- Screw: M2.5
- Wire strip length: 6-7mm
- Withstanding Voltage: 1.6KV
- Operating temperature: -40°C to +115°C
- Safety approval:

DIMENSION

Dim A	Nx5.08
Dim B	(N-1)x5.08

N=Number of poles

Poles	Tolerance
2p-6p	±0.20
7p-12p	±0.25
13p-18p	±0.30
19p-24p	±0.40

PART NO.: VM xx 55 x 1 00J0 G

		Color	RoHS compliant (lead<4%) In copper Alloy
Solid block	0	Black (RAL9005)	
No. of poles	2	Red (RAL3001/D)	
02	2 poles	3 Orange(RAL2011/P)	
03	3 poles	4 Yellow(RAL1018/A)	
...	...	5 Green(RAL6018/T)	
24	24 poles	6 Blue (RAL5015/A)	
		8 Grey(RAL7035/D)	
		9 White(RAL1102)	
		C Green(RAL6018/U)	

mat'l. code				surface ASME Y14.5	tolerance ASME Y14.5	projection	product family
ltr	ecn no	dr	date	tolerances unless otherwise specified			TERMINAL BLOCK
B	T-19283	HF	081414	angles	X.±0.5		title
				parallel	X.X±0.3	MM	TERMINAL BLOCK
				X°±1°	X.XX±0.1	scale	PLUGGABLE PLUG,WITHOUT FLANGE,LOW PROFILE
				dr	EVIN ZHONG 042114		dwg no
				enrg	EVIN ZHONG 042114		sheet 1 of 1
				chr	HANKE FENG 042114		size
				appd	SHI JUN 042114		A4
sheet index	revision sheet	B	1			type	CUSTOMER Drawing