



Chipsmall Limited consists of a professional team with an average of over 10 year of expertise in the distribution of electronic components. Based in Hongkong, we have already established firm and mutual-benefit business relationships with customers from,Europe,America and south Asia,supplying obsolete and hard-to-find components to meet their specific needs.

With the principle of “Quality Parts,Customers Priority,Honest Operation,and Considerate Service”,our business mainly focus on the distribution of electronic components. Line cards we deal with include Microchip,ALPS,ROHM,Xilinx,Pulse,ON,Everlight and Freescale. Main products comprise IC,Modules,Potentiometer,IC Socket,Relay,Connector.Our parts cover such applications as commercial,industrial, and automotives areas.

We are looking forward to setting up business relationship with you and hope to provide you with the best service and solution. Let us make a better world for our industry!



Contact us

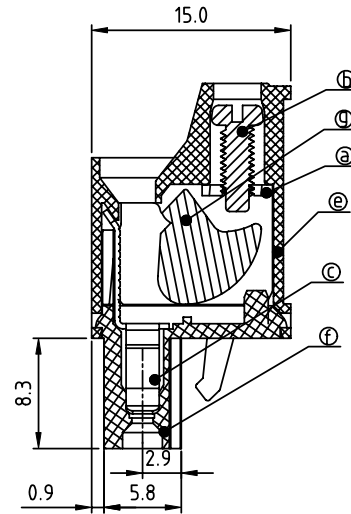
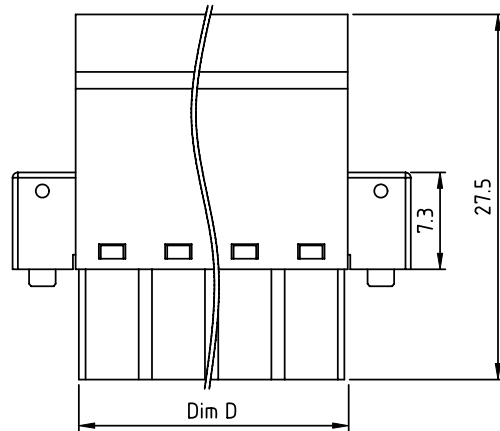
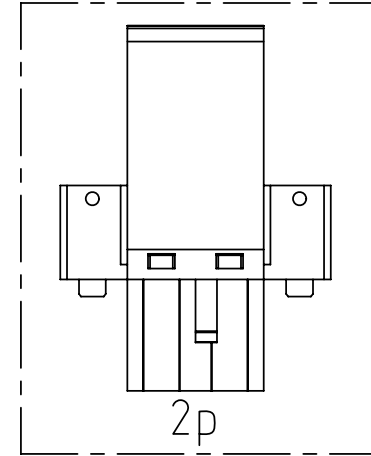
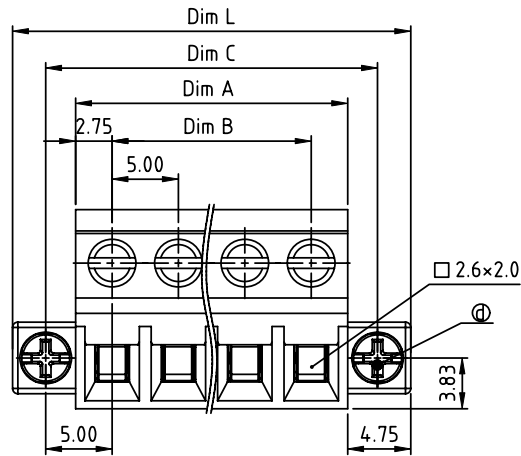
Tel: +86-755-8981 8866 Fax: +86-755-8427 6832

Email & Skype: info@chipsmall.com Web: www.chipsmall.com

Address: A1208, Overseas Decoration Building, #122 Zhenhua RD., Futian, Shenzhen, China



PRODUCT NUMBER	PITCH
VMxx75x200J0G	5.00 mm



Material:

- Item(a) Clamp: Steel zinc plated.
 - Item(b) Terminal screw: Steel Zinc plating "-" slot type
 - Item(c) Female contact: High conductivity copper Tin plated
 - Item(d) With flange screw: Steel zinc plated M2.5 "+/-" slot type
 - Item(e) Terminal (top body): Thermoplastic (UL94V-0)
 - Item(f) Terminal (bottom body): Thermoplastic (UL94V-0)
 - Item(g) Clampage: Steel Zinc plated
- Electrical cULus/TUV
- Voltage rating: 300VAC/300VAC
 - Current rating: 20A/20A
 - Wire range: 0.34-2.5mm²
 - Solid wire(AWG): 12-22
 - Stranded wire(AWG): 12-22
 - Torque: 3.5Lb-In / 0.4Nm
 - Screw: M2.5
 - Wire strip length: 6-7mm
 - Withstanding Voltage: 1.6KV/2.5KV
 - Operating temperature: -40°C to +115°C
 - Safety approval:

N=NUMBER OF POLES

Dim L=(N-1)×5.00+15.00
Dim A=(N-1)×5.00+5.5
Dim B=(N-1)×5.00
Dim C=(N-1)×5.00+10.00
Dim D=N×5.00

POLES	Tolerance
2P-6P	±0.20
7P-12P	±0.25
13P-18P	±0.30
19P-24P	±0.40

PART NO.: VM xx 75 x 2 00J0 G

Solid block	No. of poles	Color	RoHS compliant (lead<4%) In copper Alloy
0	2	Black (RAL9005)	
02	2 poles	Red (RAL3001/D)	
03	3 poles	Orange(RAL2011/P)	
04	3 poles	Yellow(RAL1018/A)	
...	...	Green(RAL6018/T)	
24	24 poles	Blue (RAL5015/A)	
08		Grey(RAL7035/D)	
09		White(RAL1102)	
C		Green(RAL6018/U)	

mat'l. code		surface ASME Y14.5	tolerance ASME Y14.5	projection 	product family TERMINAL BLOCK
ltr	ecn no	dr	date	tolerances unless otherwise specified	title TERMINAL BLOCK
				angles 	PLUGGABLE PLUG, WITH FLANGE
				X±1°	scale
dr	EVIN ZHONG	041914		MM	dwg no
enrg	EVIN ZHONG	041914		FCI	sheet 1 of 1
chr	HANKE FENG	041914			size A4
appd	SHI JUN	041914			type CUSTOMER Drawing
sheet index	revision	A			
	sheet	1			