



Chipsmall Limited consists of a professional team with an average of over 10 year of expertise in the distribution of electronic components. Based in Hongkong, we have already established firm and mutual-benefit business relationships with customers from,Europe,America and south Asia,supplying obsolete and hard-to-find components to meet their specific needs.

With the principle of “Quality Parts,Customers Priority,Honest Operation,and Considerate Service”,our business mainly focus on the distribution of electronic components. Line cards we deal with include Microchip,ALPS,ROHM,Xilinx,Pulse,ON,Everlight and Freescale. Main products comprise IC,Modules,Potentiometer,IC Socket,Relay,Connector.Our parts cover such applications as commercial,industrial, and automotives areas.

We are looking forward to setting up business relationship with you and hope to provide you with the best service and solution. Let us make a better world for our industry!



Contact us

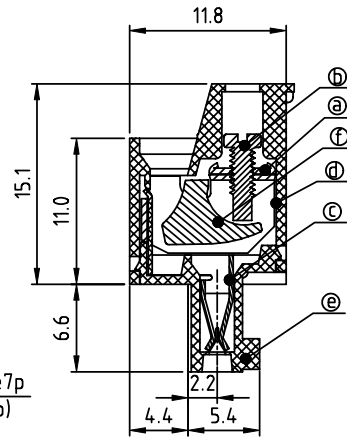
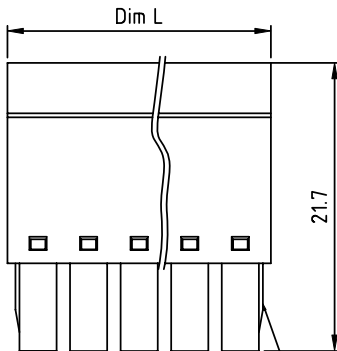
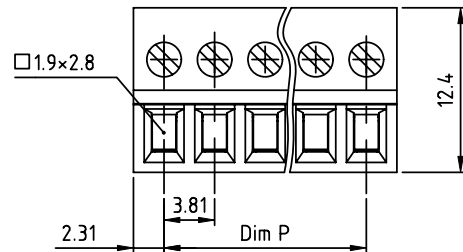
Tel: +86-755-8981 8866 Fax: +86-755-8427 6832

Email & Skype: info@chipsmall.com Web: www.chipsmall.com

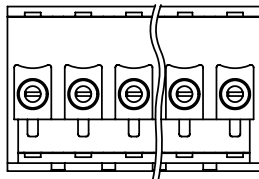
Address: A1208, Overseas Decoration Building, #122 Zhenhua RD., Futian, Shenzhen, China



PRODUCT NUMBER	PITCH
VMxx35x000J0G	3.81 mm



2p to 6p with wedge, above 7p without wedge (including 7p)



Material:

- Item (a) Clamp: Steel zinc plated.
- Item (b) Terminal screw: Steel zinc plating "-" slot type
- Item (c) Female contact: PhBz Tin plated
- Item (d) Terminal (top body): Thermoplastic (UL94V-0)
- Item (e) Terminal (bottom body): Thermoplastic (UL94V-0)
- Item (f) Clampage: Steel Zinc plated

Electrical cULus

- Voltage rating: 300VAC
- Current rating: 10A
- Wire range:
- Solid wire (AWG): 16-28
- Stranded wire (AWG): 16-28
- Torque: 1.7Lb-In
- Screw: M2
- Wire strip length: 6-7mm
- Withstanding Voltage: 1.6KV
- Operating temperature: -40°C to +115°C
- Safety approval:

DIMENSION

Dim L	(N-1)×3.81+4.62
Dim P	(N-1)×3.81

N=Number of poles

Poles	Tolerance
2p-6p	±0.20
7p-12p	±0.25
13p-18p	±0.30
19p-24p	±0.40

PART NO.: VM xx 35 x 0 00J0 G

Solid block	No. of poles	Color	RoHS compliant
0	2	Black (RAL9005)	(lead<4%)
02	3	Red (RAL3001/D)	In copper Alloy
03	3	Orange (RAL2011/P)	
...	...	4 Yellow (RAL1018/A)	
...	...	5 Green (RAL6018/T)	
24	24	6 Blue (RAL5015/A)	
		8 Grey (RAL7035/D)	
		9 White (RAL1102)	
		C Green (RAL6018/U)	

mat'l. code		surface ASME Y14.5 ✓	tolerance ASME Y14.5	projection 	product family TERMINAL BLOCK
ltr ecn no dr date		tolerances unless otherwise specified		MM	title TERMINAL BLOCK PLUGGABLE PLUG, WITHOUT FLANGE
angles		X.±0.5	X.X±0.3		
X*±1*		X.XX±0.1		scale	dwg no VMxx35x000J0G
dr		EVIN ZHONG	041914		sheet 1 of 1 size A4
enrg		EVIN ZHONG	041914		type CUSTOMER Drawing
chr		HANKE FENG	041914		
appd		SHI JUN	041914		
sheet index	revision sheet	A	1		