



Chipsmall Limited consists of a professional team with an average of over 10 year of expertise in the distribution of electronic components. Based in Hongkong, we have already established firm and mutual-benefit business relationships with customers from,Europe,America and south Asia,supplying obsolete and hard-to-find components to meet their specific needs.

With the principle of “Quality Parts,Customers Priority,Honest Operation,and Considerate Service”,our business mainly focus on the distribution of electronic components. Line cards we deal with include Microchip,ALPS,ROHM,Xilinx,Pulse,ON,Everlight and Freescale. Main products comprise IC,Modules,Potentiometer,IC Socket,Relay,Connector.Our parts cover such applications as commercial,industrial, and automotives areas.

We are looking forward to setting up business relationship with you and hope to provide you with the best service and solution. Let us make a better world for our industry!



Contact us

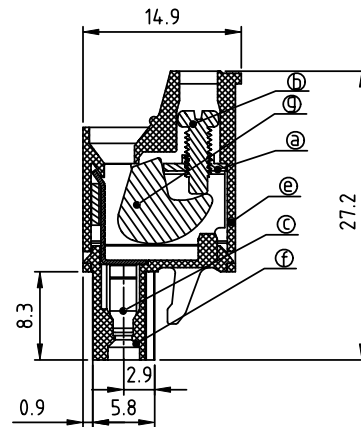
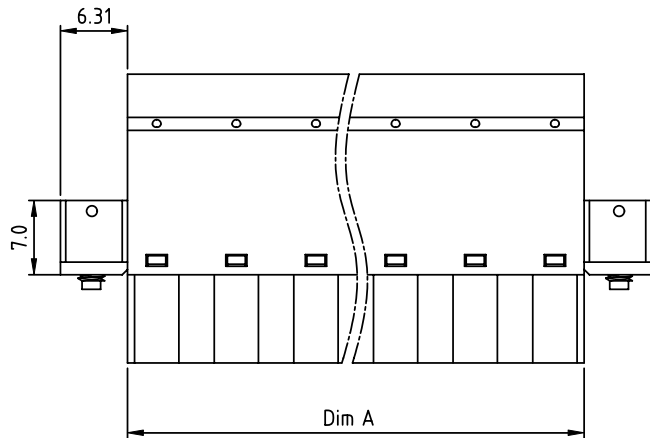
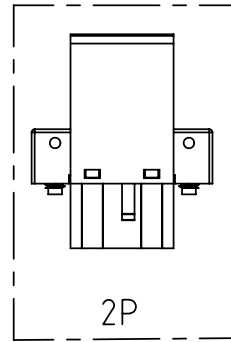
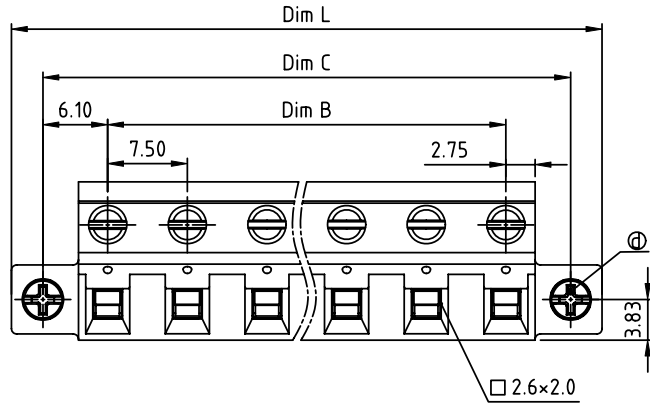
Tel: +86-755-8981 8866 Fax: +86-755-8427 6832

Email & Skype: info@chipsmall.com Web: www.chipsmall.com

Address: A1208, Overseas Decoration Building, #122 Zhenhua RD., Futian, Shenzhen, China



PRODUCT NUMBER	PITCH
VMxxA5x300J0G	7.50 mm



Material:

- ItemⒶ Clamp: Steel zinc plated.
 - ItemⒷ Terminal screw: Steel Zinc plating "-" slot type
 - ItemⒸ Female contact: High conductivity copper Tin plated
 - ItemⒹ With flange screw: Steel zinc plated M2.5 "+/-" slot type
 - ItemⒺ Terminal (top body): Thermoplastic (UL94V-0)
 - ItemⒻ Terminal (bottom body): Thermoplastic (UL94V-0)
 - ItemⒼ Clampage: Steel Zinc plated
- Electrical cULus
- Voltage rating: 300VAC
 - Current rating: 20A
 - Wire range: 0.34-2.5mm²
 - Solid wire(AWG): 12-22
 - Stranded wire(AWG): 12-22
 - Torque: 3.5Lb-In
 - Screw: M2.5
 - Wire strip length: 6-7mm
 - Withstanding Voltage: 1.6KV
 - Operating temperature: -40°C to +115°C
 - Safety approval:

DIMENSION

Dim L	(N-1)×7.5+18.12
Dim A	(N-1)×7.5+5.5
Dim B	(N-1)×7.5
Dim C	(N-1)×7.5+12.2

N=Number of poles

Poles	Tolerance
2p-4p	±0.10
5p-8p	±0.20
9p-12p	±0.30
13p-16p	±0.40

PART NO.: VM xx A5 x 3 00J0 G

Solid block	No. of poles	Color	RoHS compliant (lead<4% In copper Alloy)
0	2	Black (RAL9005)	
02	2 poles	Red (RAL3001/D)	
03	3 poles	Orange(RAL2011/P)	
4	4	Yellow(RAL1018/A)	
5	5	Green(RAL6018/T)	
6	6	Blue (RAL5015/A)	
8	8	Grey(RAL7035/D)	
9	9	White(RAL1102)	
C	16 poles	Green(RAL6018/U)	

mat'l. code		surface ASME Y14.5	tolerance ASME Y14.5	projection	product family TERMINAL BLOCK
ltr	ecn no	dr	date	 MM	title TERMINAL BLOCK PLUGGABLE PLUG, WITH FLANGE, LOW PROFILE
tolerances unless otherwise specified					
angles		X.±0.5			dwg no VMxxA5x300J0G sheet 1 of 1 size A4
X*±1"		X.XX±0.3			
dr		EVIN ZHONG	042114		
enr		EVIN ZHONG	042114		
chr		HANKE FENG	042114	type CUSTOMER Drawing	
appd		SHI JUN	042114		
sheet index	revision sheet	A	1		